

Flush-type connector - SACC-CI-M12FSY-8P SMD SH T - 1411965

Please be informed that the data shown in this PDF Document is generated from our Online Catalog. Please find the complete data in the user's documentation. Our General Terms of Use for Downloads are valid (<http://phoenixcontact.com/download>)



Flush-type connector, Universal, 8-position, SocketLink:straightLink:M12, Y - hybrid, PCB mounting, SMD

M12 female contact carrier, straight

Why buy this product

- Reduced mounting costs thanks to two-piece device connector
- Packaging available for automated pick and place assembly
- All common pin assignments and codings available
- Easy device integration thanks to mechanical port screw connections with threaded attachment, press-in contour or direct integration in the front plate



Key Commercial Data

Packing unit	1 STK
Minimum order quantity	60 STK
Custom tariff number	85366990
Country of origin	Germany

Technical data

Ambient conditions

Ambient temperature (operation)	-25 °C ... 105 °C (Plug / socket)
	-55 °C ... 105 °C (without mechanical actuation)
Degree of protection	IP67 (correctly plugged in and locked)

General

Note	The electrical and mechanical data specified assume that the connector pair is correctly locked and mounted. If the connector is unlocked and if there is a danger of contamination, the connector must be sealed using
------	---

Flush-type connector - SACC-CI-M12FSY-8P SMD SH T - 1411965

Technical data

General

	a protective cap > IP54. Influences arising from litz wires, cables or PCB assembly must also be taken into consideration.
Rated current at 40°C	0.5 A (Data)
	6 A (Power)
Rated voltage	30 V (Power and data)
Rated surge voltage	0.8 kV
Number of positions	8
Insulation resistance	> 100 MΩ
Coding	Y - hybrid
Signal type/category	Universal
Overvoltage category	III
Degree of pollution	3
Connection method	SMD
Insertion/withdrawal cycles	> 100
Mounting type	PCB mounting
Type of packaging	Tray
Delivery state	with assembly pad

Material

Flammability rating according to UL 94	V0
Contact material	CuZn
Contact surface material	Au
Contact carrier material	PA
Additional material specifications	Zinc die-cast, nickel-plated (Shield crossover)

Cable

Transmission characteristics (category)	CAT5 (IEC 11801:2002)
---	-----------------------

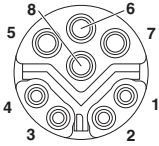
Standards and Regulations

Flammability rating according to UL 94	V0
--	----

Drawings

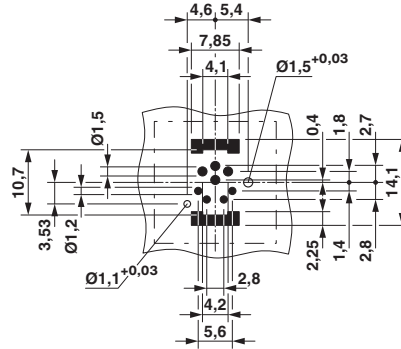
Flush-type connector - SACC-CI-M12FSY-8P SMD SH T - 1411965

Schematic diagram



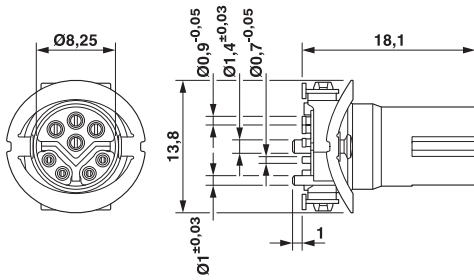
Pin assignment M12 connector, 8-pos., view socket side

Drilling diagram



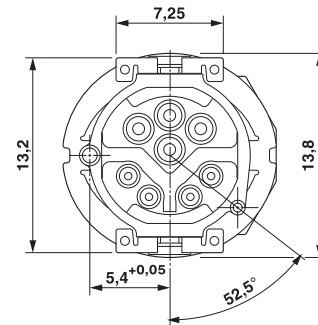
Soldering pad geometry

Dimensional drawing



M12 female connector contact carrier

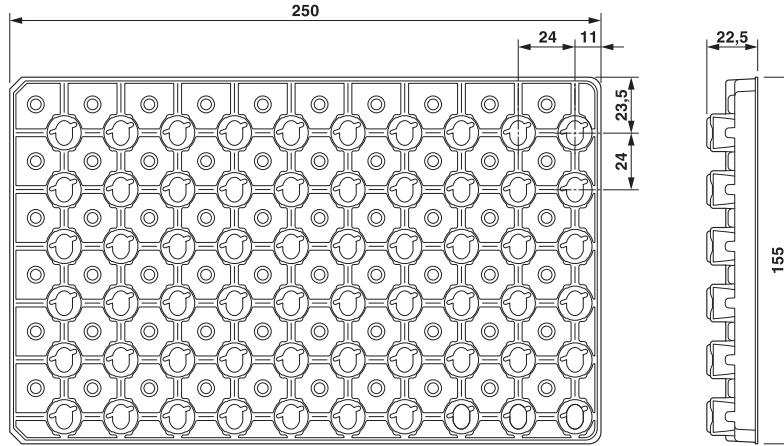
Dimensional drawing



View of solder side

Flush-type connector - SACC-CI-M12FSY-8P SMD SH T - 1411965

Dimensional drawing



SMD tray packaging

Classifications

eCl@ss

eCl@ss 5.1	27143423
eCl@ss 6.0	27143423
eCl@ss 8.0	27440103
eCl@ss 9.0	27440102

ETIM

ETIM 5.0	EC002061
----------	----------

Approvals

Approvals

Approvals

UL Recognized / cUL Recognized / EAC / cULus Recognized

Ex Approvals

Approvals submitted

Approval details

Flush-type connector - SACC-CI-M12FSY-8P SMD SH T - 1411965

Approvals

UL Recognized	
Nominal current IN	4.5 A
Nominal voltage UN	30 V

cUL Recognized	
Nominal current IN	4.5 A
Nominal voltage UN	30 V

EAC

cULus Recognized	
------------------	--

Accessories

Accessories

Contact insert

Sample set - SACC-CI-M12FSY-8P SMD SH-SP - 1418638



Sample set, Universal, 8-position, SocketLink:straightLink:M12, Y - hybrid, PCB mounting, SMD

Panel mounting base

Housing screw connection - SACC-BP-F-M12/M15-6-SMD - 1414021



Housing screw connection, SocketLink:M12, Rear mounting, M15 x 1

Flush-type connector - SACC-CI-M12FSY-8P SMD SH T - 1411965

Accessories

Housing screw connection - SACC-BP-F-M12/M15-6-SMD SCO - 1414023



Housing screw connection, SocketLink:M12-SPEEDCON, Rear mounting, M15 x 1

Housing screw connection - SACC-FP-F-M12/M14 SMD - 1412079



Housing screw connection, SocketLink:M12, Front mounting, M14 x 1

Housing screw connection - SACC-FP-F-M12/PRESS SMD - 1412081



Housing screw connection, socket, for the two-part M12 SMD connector, for press-in mounting.

Housing screw connection - SACC-BP-F-M12/SMD-0,9/1,6-9TIP - 1419569



M12 threaded sleeve with tolerance-compensating function, for straight, SMD-solderable M12 socket contact inserts. Suitable for 0.9 mm ... 1.6 mm thick front plates.

Housing screw connection - SACC-BP-F-M12/SMD-1,6/2,3-9TIP - 1419570



M12 threaded sleeve with tolerance-compensating function, for straight, SMD-solderable M12 socket contact inserts. Suitable for 1.6 mm ... 2.3 mm thick front plates.

Flush-type connector - SACC-CI-M12FSY-8P SMD SH T - 1411965

Accessories

Housing screw connection - SACC-BP-F-M12/SMD-2,3/3,0-9TIP - 1419571



M12 threaded sleeve with tolerance-compensating function, for straight, SMD-solderable M12 socket contact inserts. Suitable for 2.3 mm ... 3.0 mm thick front plates.

Housing screw connection - SACC-BP-F-FIX/NUT-BK-SMD - 1419568



Fixing sleeve for M12 housing screw connection with tolerance-compensating function, for SMD-solderable M12 socket contact inserts.

Housing screw connection - SACC-BP-F-FIX/NUT-CY-SMD - 1419565



Fixing sleeve for M12 housing screw connection with tolerance-compensating function, for SMD-solderable M12 socket contact inserts.

Housing screw connection - SACC-BP-F-FIX/NUT-GN-SMD - 1419566



Fixing sleeve for M12 housing screw connection with tolerance-compensating function, for SMD-solderable M12 socket contact inserts.

Housing screw connection - SACC-BP-F-FIX/NUT-VT-SMD - 1419567



Fixing sleeve for M12 housing screw connection with tolerance-compensating function, for SMD-solderable M12 socket contact inserts.
