

33	31.05	29	52808-3072	30
29	27.05	25	52808-2672	26
25	23.05	21	52808-2272	22
23	21.05	19	52808-2072	20
21	19.05	17	52808-1872	18
19	17.05	15	52808-1672	16
18	16.05	14	52808-1572	15
17	15.05	13	52808-1472	14
15	13.05	11	52808-1272	12
14	12.05	10	52808-1172	11
13	11.05	9	52808-1072	10
11	9.05	7	52808-0872	8
9	7.05	5	52808-0672	6
8	6.05	4	52808-0572	5
7	5.05	3	52808-0472	4
C	B	A	EMBOSSED PACKAGE オーダー番号: ORDER NO.	極数 CIRCUITS

注記 NOTES:

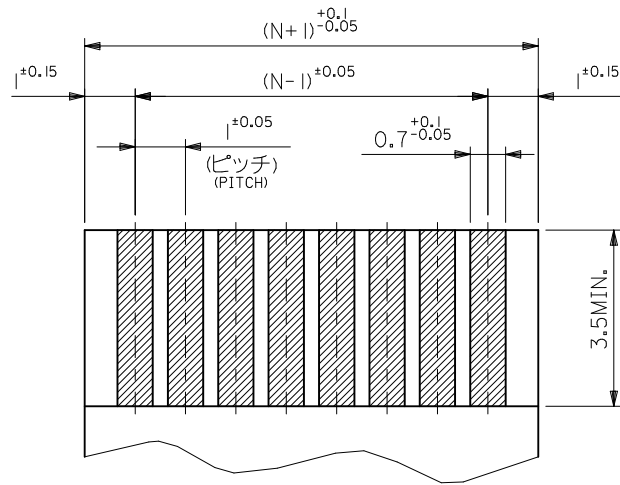
1. 使用材料 MATERIAL  
 ハウジング: PPS, UL94V-0 HOUSING : PPS, UL94V-0  
 ターミナル: リン青銅 (t=0.25) TERMINAL : PHOSPHOR BRONZE  
 メッキ: ニッケル下地 PLATING : CONTACT AREA : GOLD PLATING  
 接点部 金メッキ TAIL AREA : TIN PLATING  
 テール部 錫メッキ OVER NICKEL

△ 基準面 [E] からのソルダーテールの半田付け面のズレ量は、  
 上方向に0.1MAX. 下方向0.15MAX. とする。  
 MISALIGNMENT OF SOLDER TAIL FROM [E]  
 : UPPER DIRECTION 0.1 MAX. , LOWER DIRECTION 0.15 MAX.

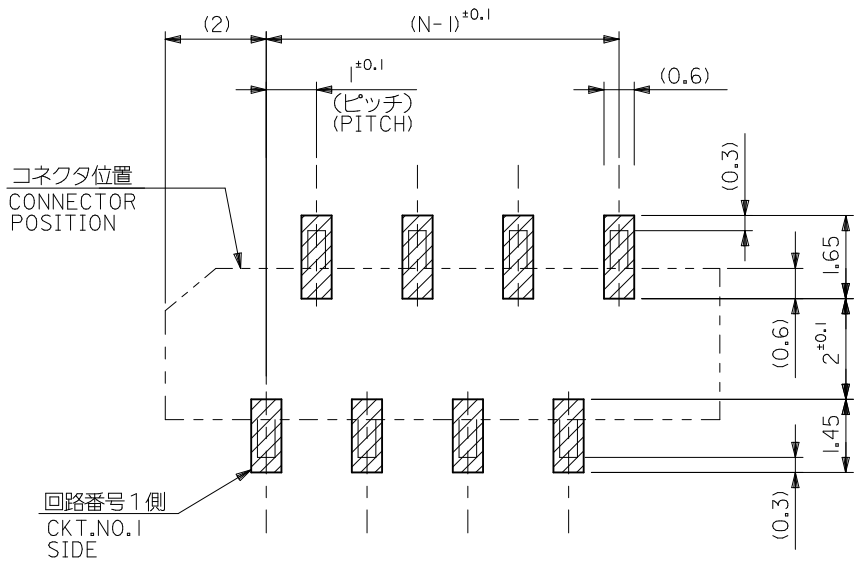
△ 偶数極に適用。  
 APPLY FOR EVEN CKT.

4. 本製品は 52808シリーズの金メッキ品です。  
 THIS PRODUCT IS Au PLATING OF 52808 SERIES.
5. ELV 及び RoHS適合品  
 ELV AND RoHS COMPLIANT.

REVISED EC NO: J2010-2110 DRWN:HUGAWA 2010/04/20 CHKD:SHIMOMIYAMA 2010/04/20 APPR:KMORIKAWA 2010/06/24	DESCRIPTION GENERAL TOLERANCES (UNLESS SPECIFIED) 10 UNDER ±0.2 10 OVER 30 UNDER ±0.25 30 OVER ±0.3 ANGULAR ±3 ° DRAFT WHERE APPLICABLE MUST REMAIN WITHIN DIMENSIONS	DIMENSION STYLE MM ONLY	SCALE ---	DESIGN UNITS METRIC	THIRD ANGLE PROJECTION	
		DRAWN BY M. NABEI	DATE '05/08/19	TITLE 1.0 FFC CONN. NON ZIF SMT. ST.		
		CHECKED BY K. TOYODA	DATE '05/08/19	MOLEX INCORPORATED		
		APPROVED BY N. UKITA	DATE '05/08/19	MATERIAL NO. SEE TABLE	DOCUMENT NO. SD-52808-029	SHEET NO. 1 OF 2



(仕上がり厚さ0.3<sup>+0.03</sup>)  
THICKNESS  
適合金めっきFPC/FFC推奨寸法  
APPLICABLE GOLD FPC/FFC  
RECOMMENDED DIMENSION.



参考基板レイアウト (マウント面)  
RECOMMENDED P.C.BOARD  
PATTERN DIMENSION. (REF.)  
(MOUNTING AREA)

FPC/FFCについて:  
打抜き方向は、導体側から補強板側を推奨いたします。  
FPCについて:  
補強フィルム材質は、ポリイミドを推奨いたします。  
接着剤は、熱硬化接着剤を推奨いたします。

ABOUT FPC/FFC :  
RECOMMENDED PUNCHER DIRECTION : FROM CONDUCTOR SIDE TO STIFFENER BOARD SIDE.

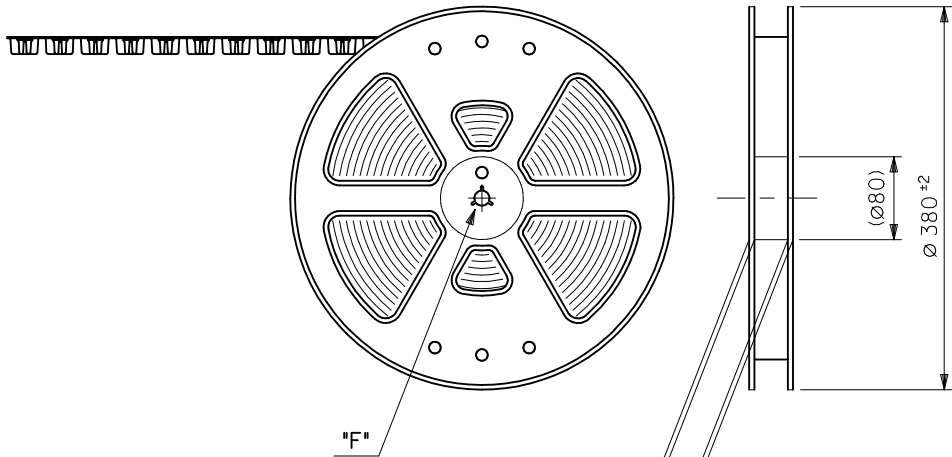
ABOUT FPC :  
RECOMMENDED MATERIAL :  
STIFFENER FILM : POLYIMIDE  
BONDING AGENT : TERMOSETTING BONDING AGENT

REVISED EC NO. J2010-2110 DRWN:HUGAWA 2010/04/20 CHKD:SHIMOMIYAMA 2010/04/20 APPR:KMORIKAWA 2010/06/24	DESCRIPTION REV	GENERAL TOLERANCES (UNLESS SPECIFIED)		DIMENSION STYLE MM ONLY		SCALE ---	DESIGN UNITS METRIC	THIRD ANGLE PROJECTION	
		10 UNDER	±0.2	DRAWN BY M. NABEI	DATE '05/08/19	TITLE 1.0 FFC CONN. NON ZIF SMT. ST.			
		10 OVER 30 UNDER	±0.25	CHECKED BY K. TOYODA	DATE '05/08/19	MOLEX INCORPORATED			
		30 OVER	±0.3	APPROVED BY N. UKITA	DATE '05/08/19				
ANGULAR ±3 °		DRAFT WHERE APPLICABLE MUST REMAIN WITHIN DIMENSIONS		MATERIAL NO. SEE SHEET 1 OF 2		DOCUMENT NO. SD-52808-029		SHEET NO. 2 OF 2	
SIZE A3		THIS DRAWING CONTAINS INFORMATION THAT IS PROPRIETARY TO MOLEX INCORPORATED AND SHOULD NOT BE USED WITHOUT WRITTEN PERMISSION							

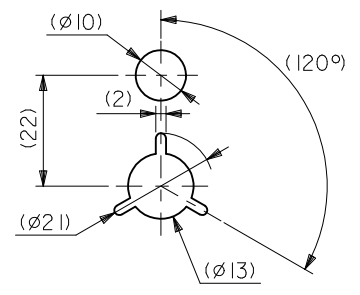
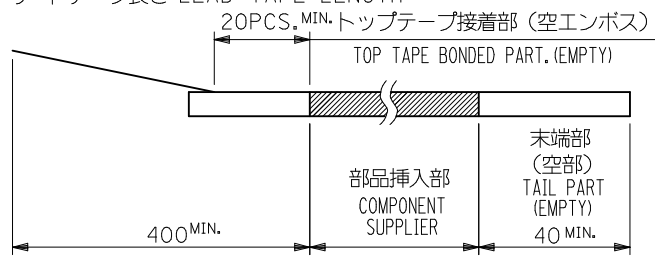
NOTES

- 製品詳細寸法については製品単体図面を参照下さい。  
RE DETAILED DIMENSION, SEE PRODUCT DRAWING.
- 梱包数量：1000個/リール  
NUMBER OF CONNECTORS：1000PCS/REEL
- リードテープ長さ LEAD TAPE LENGTH  
20PCS. MIN. トップテープ接着部 (空エンボス)  
TOP TAPE BONDED PART. (EMPTY)
- カバーテープの剥離強度については IEC 60286-3 に準拠  
COVER TAPE PEEL FORCE IS DEFINED BY IEC 60286-3
- 材料 (MATERIAL)  
キャリアテープ (CARRIER TAPE)：ポリプロピレン (POLYPROPYLENE)  
トップテープ (TOP TAPE)：PET, PE, PEF  
リール (REEL)：ポリスチレン (PS) <リサイクル材を含む>  
POLYSTYREN (PS) <RECYCLE MATERIAL CONTAINED>
- 本製品は 52808シリーズの金メッキ品です。  
THIS PRODUCT IS Au PLATING OF 52808 SERIES.
- ELV 及び RoHS適合品  
ELV AND RoHS COMPLIANT.

引き出し方向  
PULL OUT

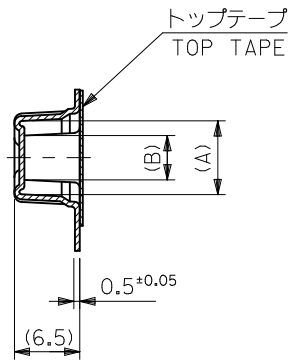


引き出し方向  
PULL OUT DIRECTION



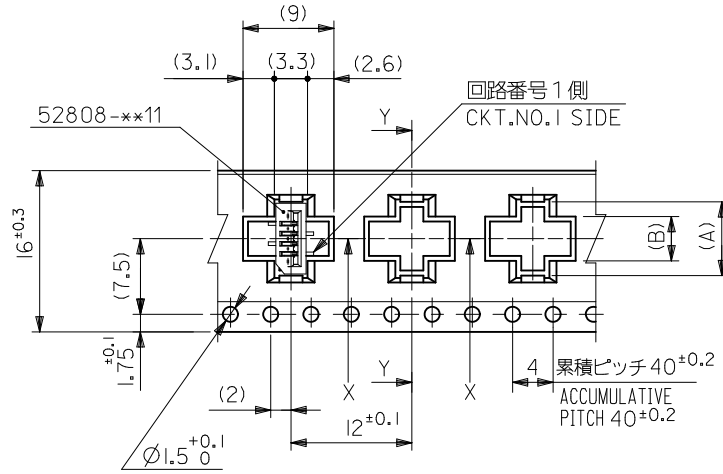
DETAIL "F"

REVISED EC NO: J2010-2110 DRWN:HUGAWA 2010/04/20 CHKD:SHIMOMIYAMA 2010/04/20 APPR:KMORIKAWA 2010/06/24	DESCRIPTION REV	GENERAL TOLERANCES (UNLESS SPECIFIED)		DIMENSION STYLE MM ONLY		SCALE ---	DESIGN UNITS METRIC	THIRD ANGLE PROJECTION		
		10 UNDER	± ---	DRAWN BY M. NABEI	DATE '05/08/19	TITLE 1.0 FFC CONN NON ZIF SMT ST EMBSTP PKG		MOLEX INCORPORATED		
		10 OVER 30 UNDER	± ---	CHECKED BY K. TOYODA	DATE '05/08/19	MATERIAL NO. SEE SHEET 2 OF 6				
		30 OVER	± ---	APPROVED BY N. UKITA	DATE '05/08/19	THIS DRAWING CONTAINS INFORMATION THAT IS PROPRIETARY TO MOLEX INCORPORATED AND SHOULD NOT BE USED WITHOUT WRITTEN PERMISSION				
ANGULAR ± --- °		DRAFT WHERE APPLICABLE MUST REMAIN WITHIN DIMENSIONS								

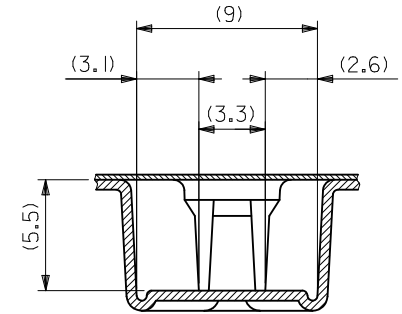


SECT:Y-Y

16mm幅キャリアテープ  
16mm WIDTH CARRIER TAPE



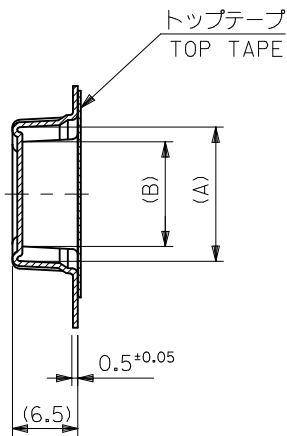
引き出し方向  
PULL OUT DIRECTION



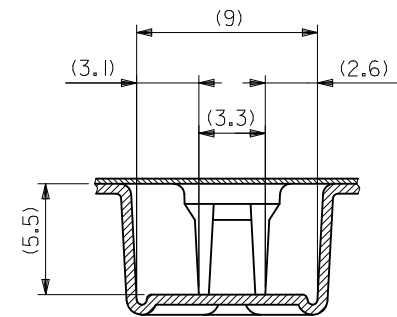
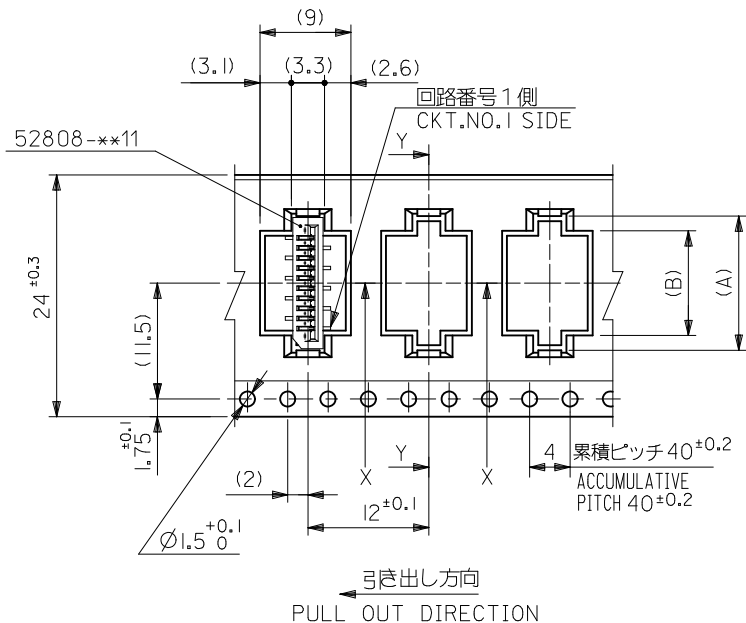
SECT:X-X  
(SCALE 4:1)

16	21.4	17.4	5.4	8.3	52808-0572	5
			4.4	7.3	52808-0472	4
キャリアテープ幅 CARRIER TAPE WIDTH	D	C	(B)	(A)	MATERIAL NO.	極数 CKT.

REVISED EC NO: J2010-2110 DRWN:HUGAWA 2010/04/20 CHK'D:SHIMIZUYAMA 2010/04/20 APPR:KMORIKAWA 2010/06/24	GENERAL TOLERANCES (UNLESS SPECIFIED)		DIMENSION STYLE MM ONLY		SCALE ---	DESIGN UNITS METRIC	THIRD ANGLE PROJECTION
	10 UNDER	±---	DRAWN BY M. NABEI	DATE '05/08/19	TITLE 1.0 FFC CONN NON ZIF SMT ST EMBSTP PKG		
	10 OVER 30 UNDER	±---	CHECKED BY K. TOYDOA	DATE '05/08/19	MOLEX INCORPORATED		
	30 OVER	±---	APPROVED BY N. UKITA	DATE '05/08/19	DOCUMENT NO. SD-52808-030		
	ANGULAR ±---°	DRAFT WHERE APPLICABLE MUST REMAIN WITHIN DIMENSIONS		MATERIAL NO. SEE TABLE		SHEET NO. 2 OF 6	
		THIS DRAWING CONTAINS INFORMATION THAT IS PROPRIETARY TO MOLEX INCORPORATED AND SHOULD NOT BE USED WITHOUT WRITTEN PERMISSION					



SECT:Y-Y

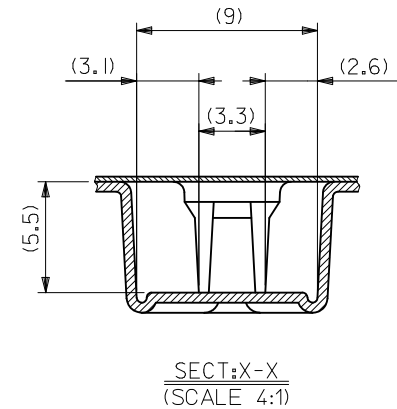
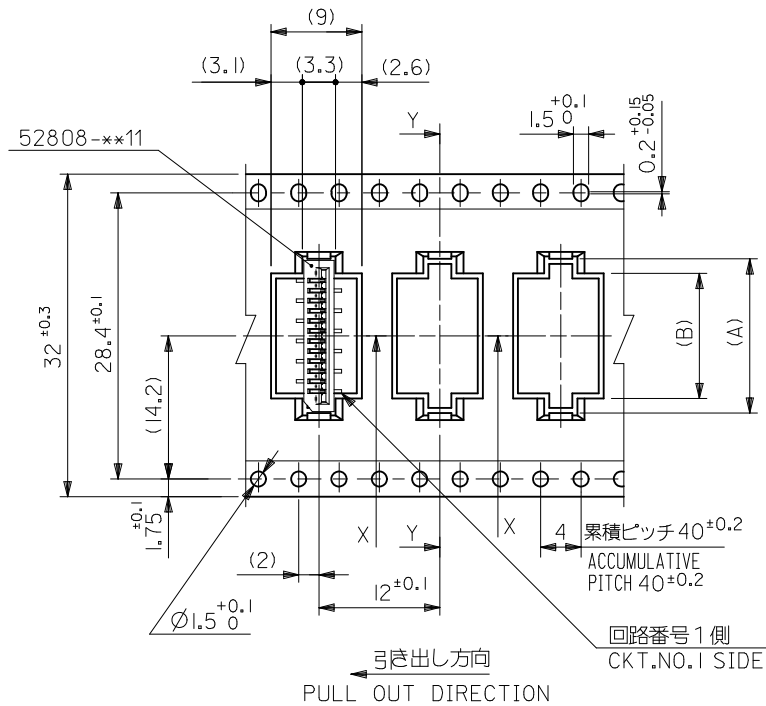
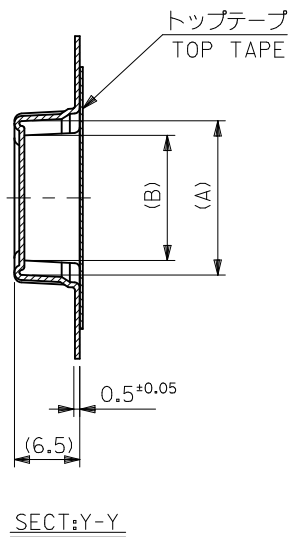


SECT:X-X  
(SCALE 4:1)

24mm幅キャリアテープ  
24mm WIDTH CARRIER TAPE

24	29.4	25.4	10.4	13.3	52808-1072	10		
			8.4	11.3	52808-0872	8		
			6.4	9.3	52808-0672	6		
キャリアテープ幅 CARRIER TAPE WIDTH			D	C	(B)	(A)	MATERIAL NO.	極数 CKT.

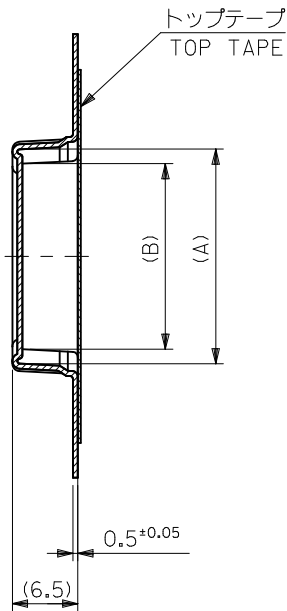
REVISED EC NO.: J2010-2110 DRWN:HUGAWA 2010/04/20 CHK'D:SHIMOMIYAMA 2010/04/20 APPR:KMORIKAWA 2010/06/24	GENERAL TOLERANCES (UNLESS SPECIFIED)		DIMENSION STYLE MM ONLY		SCALE ---	DESIGN UNITS METRIC	THIRD ANGLE PROJECTION	
	10 UNDER	± ---	DRAWN BY M. NABEI	DATE '05/08/19	TITLE 1.0 FFC CONN NON ZIF SMT ST EMBSTP PKG			
	10 OVER 30 UNDER	± ---	CHECKED BY K. TOYODA	DATE '05/08/19	MATERIAL NO. SD-52808-030			
	30 OVER	± ---	APPROVED BY N. UKITA	DATE '05/08/19	SHEET NO. 3 OF 6			
	ANGULAR ± --- ° DRAFT WHERE APPLICABLE MUST REMAIN WITHIN DIMENSIONS		SIZE A3		THIS DRAWING CONTAINS INFORMATION THAT IS PROPRIETARY TO MOLEX INCORPORATED AND SHOULD NOT BE USED WITHOUT WRITTEN PERMISSION			



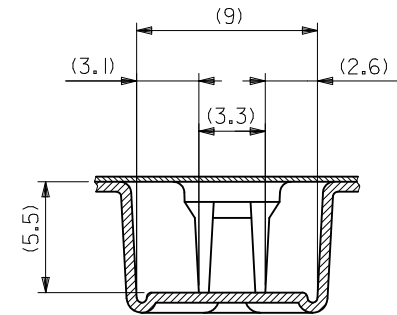
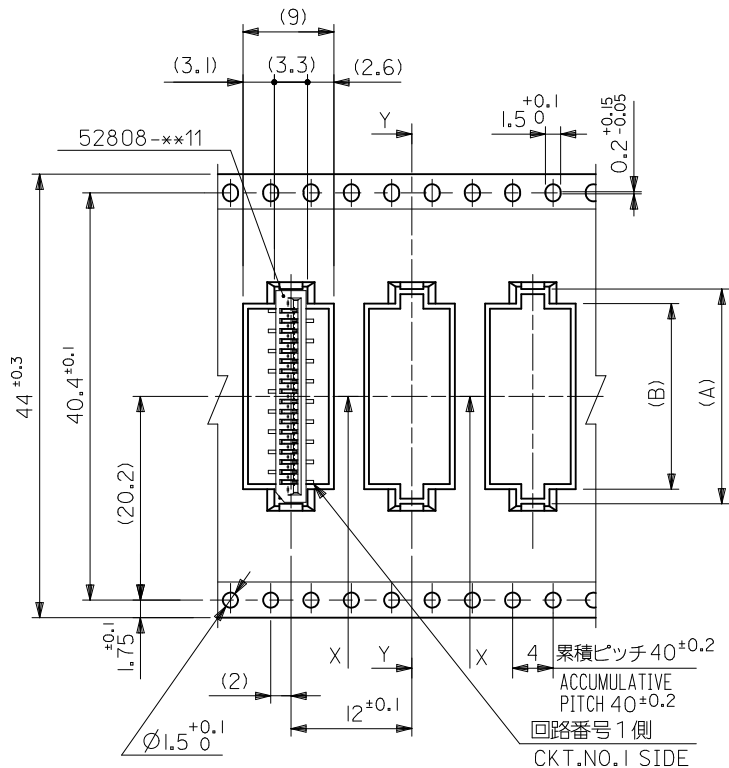
32mm幅キャリアテープ  
32mm WIDTH CARRIER TAPE

32	37.4	33.4	15.4	18.3	52808-1572	15	
			14.4	17.3	52808-1472	14	
			12.4	15.3	52808-1272	12	
			11.4	14.3	52808-1172	11	
キャリアテープ幅 CARRIER TAPE WIDTH		D	C	(B)	(A)	MATERIAL NO.	極数 CKT.

REVISED EC NO.: J2010-2110 DRWN:HUGAWA 2010/04/20 CHK'D:SHIMIZUYAMA 2010/04/20 APPR:KMORIKAWA 2010/06/24	GENERAL TOLERANCES (UNLESS SPECIFIED)		DIMENSION STYLE MM ONLY		SCALE ---	DESIGN UNITS METRIC	THIRD ANGLE PROJECTION	
	10 UNDER	± ---	DRAWN BY M. NABEI	DATE '05/08/19	TITLE 1.0 FFC CONN NON ZIF SMT ST EMBSTP PKG			
	10 OVER 30 UNDER	± ---	CHECKED BY K. TOYODA	DATE '05/08/19	MOLEX INCORPORATED			
	30 OVER	± ---	APPROVED BY N. UKITA	DATE '05/08/19	MATERIAL NO. SEE TABLE		DOCUMENT NO. SD-52808-030	SHEET NO. 4 OF 6
	ANGULAR ± --- ° DRAFT WHERE APPLICABLE MUST REMAIN WITHIN DIMENSIONS		THIS DRAWING CONTAINS INFORMATION THAT IS PROPRIETARY TO MOLEX INCORPORATED AND SHOULD NOT BE USED WITHOUT WRITTEN PERMISSION					



SECT:Y-Y



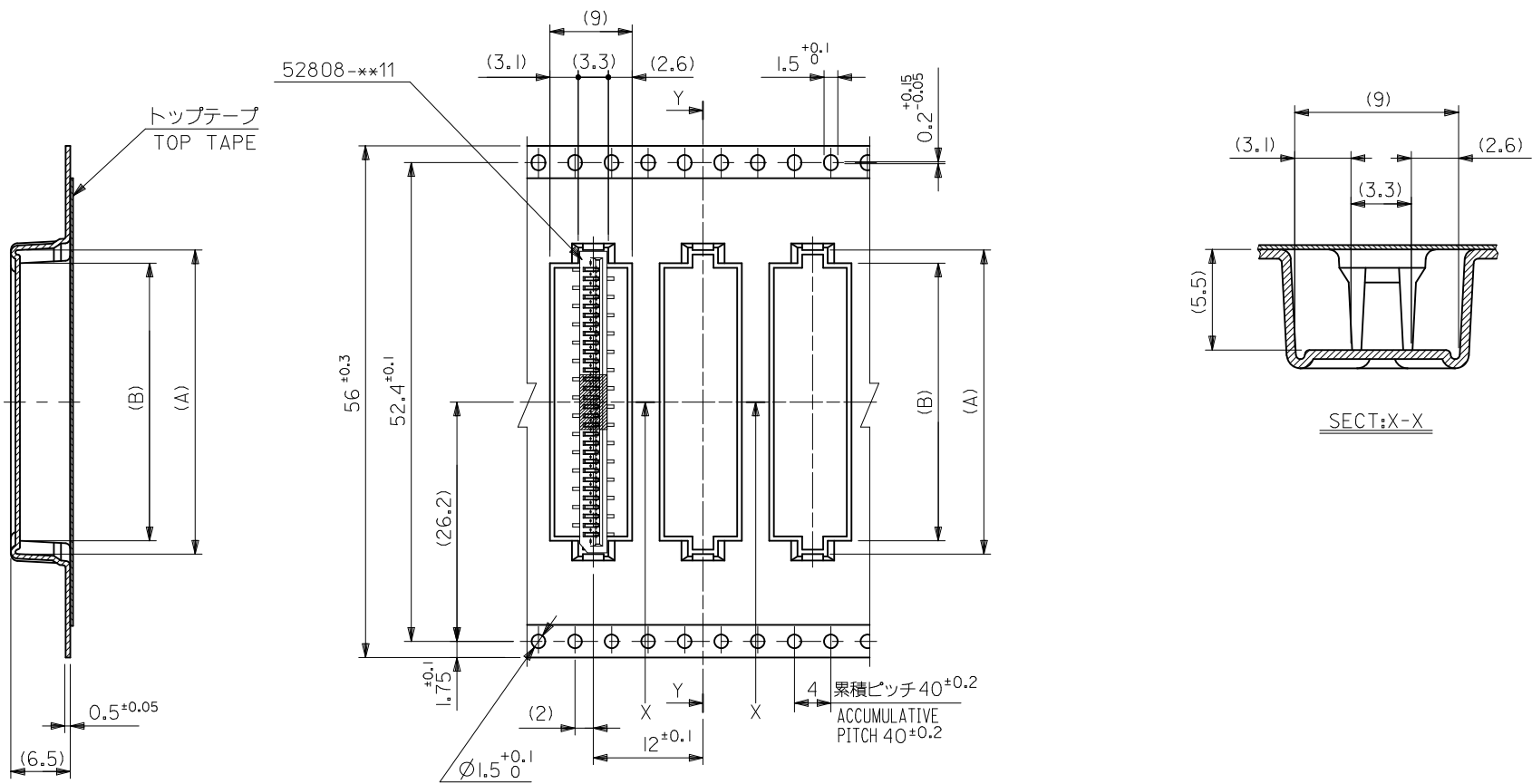
SECT:X-X  
(SCALE 4:1)

44mm幅キャリアテープ  
44mm WIDTH CARRIER TAPE

44	49.4	45.4	26.4	29.3	52808-2672	26
			22.4	25.3	52808-2272	22
			20.4	23.3	52808-2072	20
			18.4	21.3	52808-1872	18
			16.4	19.3	52808-1672	16
キャリアテープ幅 CARRIER TAPE WIDTH	D	C	(B)	(A)	MATERIAL NO.	極数 CKT.

REVISED EC NO: J2010-2110 DRWN:HUGAWA 2010/04/20 CHKD:SHIMIZUYAMA 2010/04/20 APPR:KMORIKAWA 2010/06/24	GENERAL TOLERANCES (UNLESS SPECIFIED)		DIMENSION STYLE MM ONLY		SCALE ---	DESIGN UNITS METRIC	THIRD ANGLE PROJECTION
	10 UNDER	± ---	DRAWN BY M. NABEI	DATE '05/08/19	TITLE 1.0 FFC CONN NON ZIF SMT ST EMBSTP PKG		
	10 OVER 30 UNDER	± ---	CHECKED BY K. TOYDOA	DATE '05/08/19	MOLEX INCORPORATED		
	30 OVER	± ---	APPROVED BY N. UKITA	DATE '05/08/19	MATERIAL NO. SEE TABLE	DOCUMENT NO. SD-52808-030	SHEET NO. 5 OF 6
	ANGULAR ± --- °		THIS DRAWING CONTAINS INFORMATION THAT IS PROPRIETARY TO MOLEX INCORPORATED AND SHOULD NOT BE USED WITHOUT WRITTEN PERMISSION				
DRAFT WHERE APPLICABLE MUST REMAIN WITHIN DIMENSIONS							

10 9 8 7 6 5 4 3 2 1



56mm幅キャリアテープ  
56mm WIDTH CARRIER TAPE

56	61.4	57.4	30.4	33.3	52808-3072	30
キャリアテープ幅 CARRIER TAPE WIDTH	D	C	(B)	(A)	MATERIAL NO.	極数 CKT.

REVISED EC NO: J2010-2110 DRWN:HUGAWA 2010/04/20 CHKD:SHIMOIYAMA 2010/04/20 APPR:KMORIKAWA 2010/06/24	GENERAL TOLERANCES (UNLESS SPECIFIED)		DIMENSION STYLE MM ONLY		SCALE ---	DESIGN UNITS METRIC	THIRD ANGLE PROJECTION
	10 UNDER	± ---	DRAWN BY M. NABEI	DATE '05/08/19	TITLE 1.0 FFC CONN NON ZIF SMT ST EMBSTP PKG		
	10 OVER 30 UNDER	± ---	CHECKED BY K. TOYODA	DATE '05/08/19	APPROVED BY N. UKITA		
	30 OVER	± ---	APPROVED BY N. UKITA	DATE '05/08/19	MATERIAL NO. SEE TABLE		
ANGULAR	± --- °	DRAFT WHERE APPLICABLE MUST REMAIN WITHIN DIMENSIONS		DOCUMENT NO. SD-52808-030		SHEET NO. 6 OF 6	
THIS DRAWING CONTAINS INFORMATION THAT IS PROPRIETARY TO MOLEX INCORPORATED AND SHOULD NOT BE USED WITHOUT WRITTEN PERMISSION				SIZE A3			