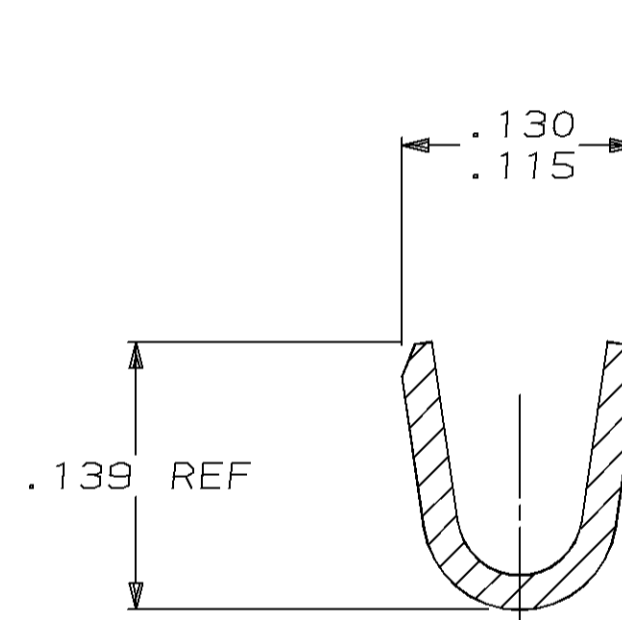
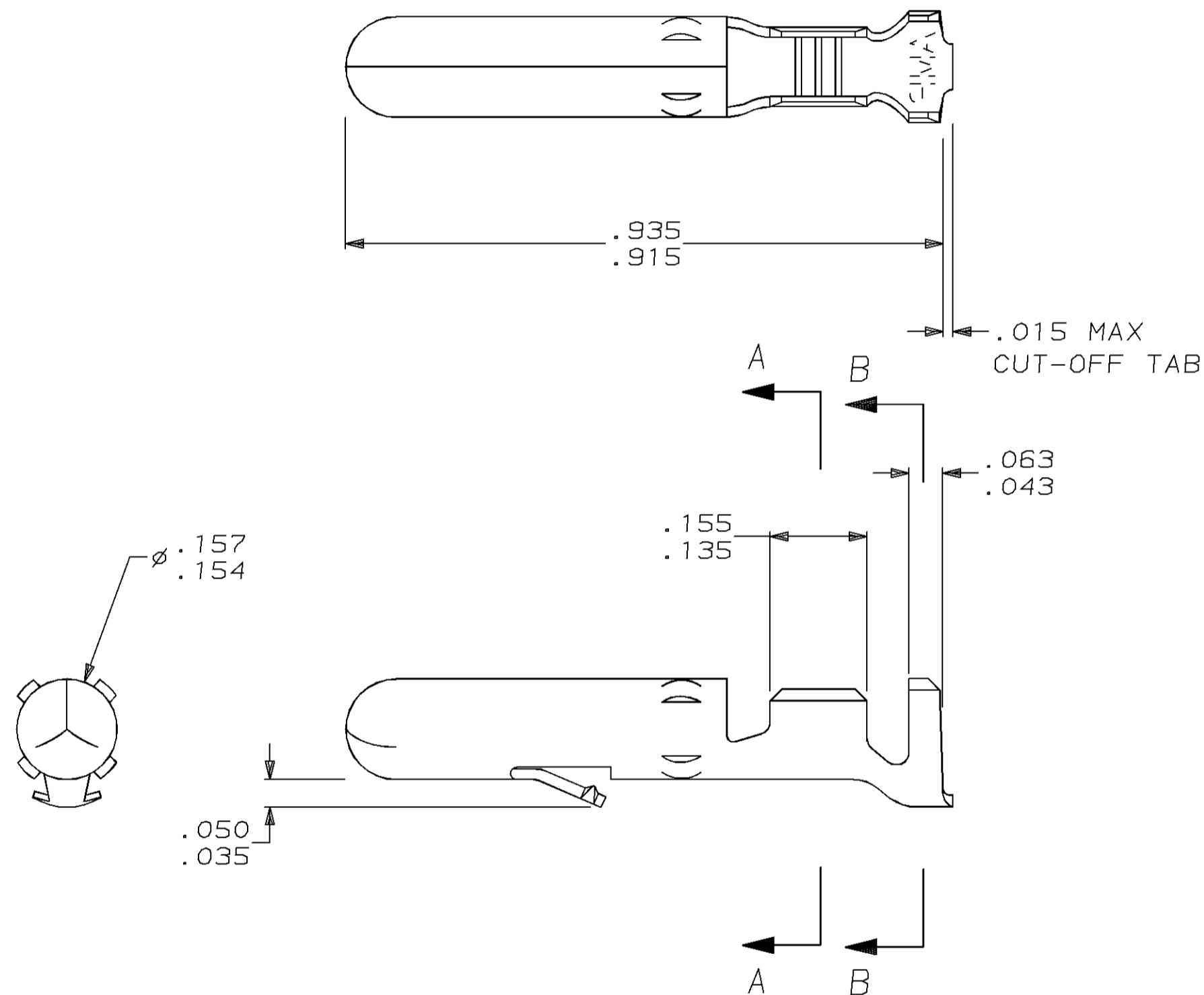


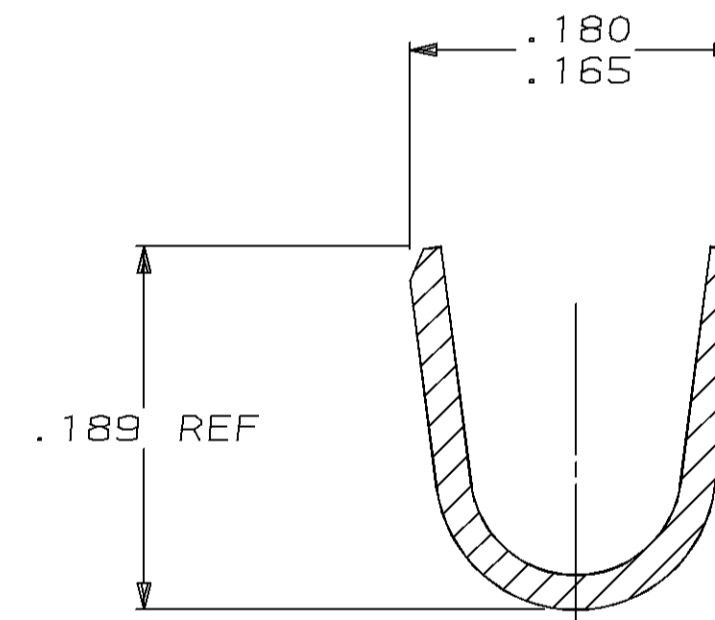
THIS DRAWING IS UNPUBLISHED. RELEASED FOR PUBLICATION
 BY AMP INCORPORATED. ALL RIGHTS RESERVED.

LOC	DIST	REVISIONS			
P	LTR	DESCRIPTION	DATE	DWN	APVD
CM	53				
	B	REACT & REDWN PER EC 0730-0171-96	6-25-96	BL	RS

1. WIRE RANGE: 20-14 (0.5-2mm²) AWG
 INSULATION RANGE: .125 MAX.



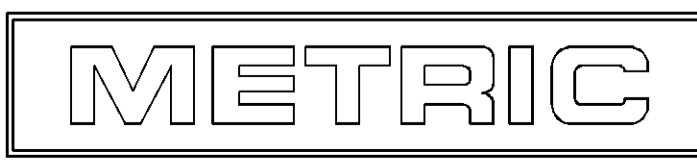
SECTION A-A
SCALE 10:1



SECTION B-B
SCALE 10:1

IN	MM	IN	MM	IN	MM	IN	MM
.050	1.27	.139	3.53	.180	4.57		
.043	1.09	.135	3.43	.165	4.19		
.035	0.89	.130	3.30	.157	3.99		
.018	0.46	.125	3.18	.156	3.96	.935	23.75
.015	0.38	.115	2.92	.155	3.94	.915	23.24
.005	0.13	.063	1.60	.154	3.91	.189	4.80
IN	MM	IN	MM	IN	MM	IN	MM

CONVERSION TABLE



TIN	.018 BRASS	61251-1
FINISH	MATERIAL	PART NO

THIS DRAWING IS A CONTROLLED DOCUMENT.		DWN B. LEWIS 6-25-96	AMP Incorporated Harrisburg, PA 17105-3608	
DIMENSIONS: INCHES		CHK R. SWING 6-25-96	AMP PIN, LOOSE PIECE, .156 MATE-N-LOK™	
TOLERANCES UNLESS OTHERWISE SPECIFIED:		APVD C. MARTIN 6-25-96		
		PRODUCT SPEC	SIZE	CAGE CODE
MATERIAL BRASS		APPLIC. SPEC	A2	00779
FINISH PRE-TIN		WEIGHT	DRAWING NO	SCALE
		CUSTOMER DRAWING	C-61251	5:1
			SHEET	REV
			1 OF 1	B