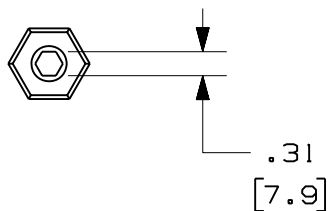


THIS COPY IS PROVIDED ON A RESTRICTED BASIS AND IS NOT TO BE USED IN ANY WAY DETRIMENTAL TO THE INTERESTS OF PANDUIT CORP.

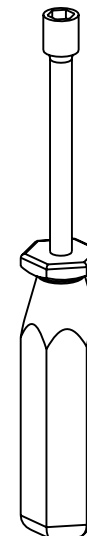
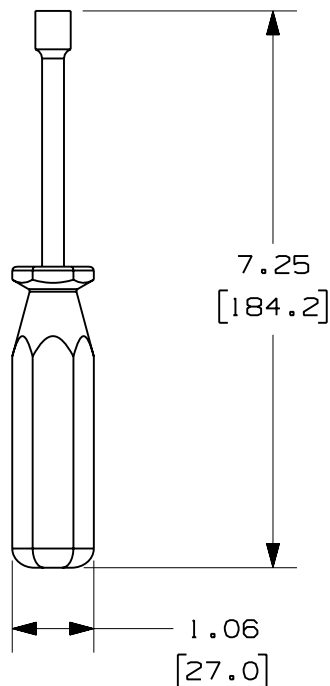


| | |
|---------------------|----------------------------|
| PANDUIT PART NUMBER | WEIGHT |
| FR516DR | 0.18 LB/EACH (80g/EACH) |

NOTES:



1. SEE CURRENT CATALOG FOR ADDITIONAL PART SUFFIXES TO INDICATE PACKAGE QUANTITY.
2. DIMENSIONS IN PARENTHESES ARE IN METRIC.



ENG. REF.: D38305BB_DC_FR516DR_01.prt

CAD FILENAME/LAYERS



FR516DR.pdf

PANDUIT CORP TINLEY PARK, ILLINOIS
FIBERRUNNER 5/16" NUT DRIVER (FR516DR)
 CUSTOMER DRAWING

UNLESS OTHERWISE SPECIFIED, DIMENSIONAL TOLERANCES ARE:

(.X) ± (.XXX) ±
 (.XX) ± .03 (.8) ANGLES ±

UNLESS OTHERWISE SPECIFIED, ALL DIMENSIONS ARE GIVEN IN INCHES, THIRD ANGLE PROJECTION.

| | | | | | | | | | | | |
|-----|---------|------|-----|-------------------------|----------|-----|------|-----|------|--|--|
| 2 | 7-20-06 | DTP | RN | B. REVISED CAD FILENAME | 38306-02 | RN | RN | | | | |
| 1 | 3-26-02 | JHNU | HIW | A. REVISED NOTE 1 | 38305-02 | HIW | HIW | | | | |
| R | 3-5-02 | JHNU | HIW | RELEASED TO PRODUCTION | 38305-02 | HIW | HIW | | | | |
| REV | DATE | BY | CHK | DESCRIPTION | ECN | R | CUST | SUP | GMBH | | |

| | |
|----------|--------|
| DRAWN BY | JHNU |
| DATE | 3-5-02 |
| CHK'D | HIW |

MAT'L: **STEEL**

| | |
|-------------|----------|
| SCALE | NONE |
| DRAWING NO. | 38305-02 |
| DWG SIZE | A |