

# Housing screw connection - SACC-M12-SCO NUT L 90 - 1432460

Please be informed that the data shown in this PDF Document is generated from our Online Catalog. Please find the complete data in the user's documentation. Our General Terms of Use for Downloads are valid (<http://phoenixcontact.com/download>)




M12-SPEEDCON housing screw connection for M12 female inserts, with flat gasket, for all Speedcon-compatible THR and wave soldering contact carriers

## Why buy this product

- Easy device integration, thanks to mechanical port screw connections with threaded fastening
- Flexible PCB assembly: two-piece connectors for wave and THR soldering
- SPEEDCON fast locking system reduces cabling times



## Key Commercial Data

|                        |   |
|------------------------|---|
| Packing unit           | 10 STK  |
| Minimum order quantity | 10 STK  |
| GTIN                   | <br>4 046356 410731 |
| GTIN                   | 4046356410731   |

## Technical data

### Ambient conditions

|                                 |   |
|---------------------------------|---|
| Ambient temperature (operation) | -25 °C ... 85 °C (Plug / socket)                |
|                                 | -40 °C ... 85 °C (without mechanical actuation) |
| Degree of protection            | IP67 (correctly plugged in and locked)          |

### General

|                       |                                     |
|-----------------------|-------------------------------------|
| Standards/regulations | IEC 61076-2-101                     |
| Torque                | 1.5 Nm ... 2 Nm (Installation-side) |
| Mounting type         | M12 x 1                             |

### Material

|                          |       |
|--------------------------|-------|
| Contact material         | CuZn  |
| Contact surface material | Ni/Au |
| Contact carrier material | PA 66 |

# Housing screw connection - SACC-M12-SCO NUT L 90 - 1432460

## Technical data

### Material

|                       |                               |
|-----------------------|-------------------------------|
| Material of grip body | Zinc die-cast, nickel-plated  |
| Material, knurts      | Zinc die-cast, nickel-plated  |
| Material              | Zinc die-cast (nickel-plated) |
| Sealing material      | EPDM (Internal O-ring)        |
|                       | HNBR (Flat gasket)            |

### Cable

|                                 |   |
|---------------------------------|---|
| Standards/specifications        | IEC 61076-2-101                                 |
| Ambient temperature (operation) | -40 °C ... 85 °C (cable, fixed installation)    |
|                                 | -25 °C ... 85 °C (cable, flexible installation) |

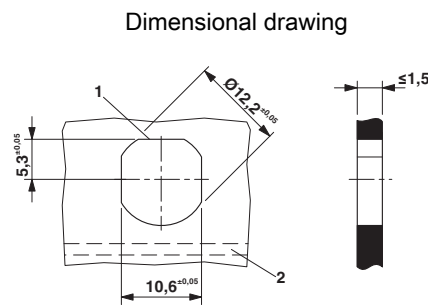
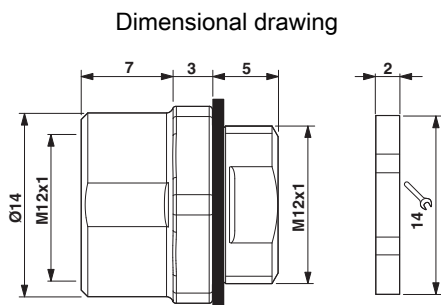
### Standards and Regulations

|                       |                 |
|-----------------------|-----------------|
| Standards/regulations | IEC 61076-2-101 |
|-----------------------|-----------------|

### Environmental Product Compliance

|            |   |
|------------|---|
| China RoHS | Environmentally Friendly Use Period = 50  |
|            | For details about hazardous substances go to tab "Downloads", Category "Manufacturer's declaration" |

## Drawings



Housing cutout for M12 fastening thread, mounting panel with feed-through hole (alternative with surface as protection against rotation)

## Approvals

Approvals

---

Approvals

EAC

---

Ex Approvals

---

## Housing screw connection - SACC-M12-SCO NUT L 90 - 1432460

### Approvals

#### Approval details

|     |   |         |
|-----|---|---------|
| EAC |  | B.01742 |
|-----|---|---------|

Phoenix Contact 2017 © - all rights reserved  
<http://www.phoenixcontact.com>

PHOENIX CONTACT GmbH & Co. KG  
Flachsmarktstr. 8  
32825 Blomberg  
Germany  
Tel. +49 5235 300  
Fax +49 5235 3 41200  
<http://www.phoenixcontact.com>