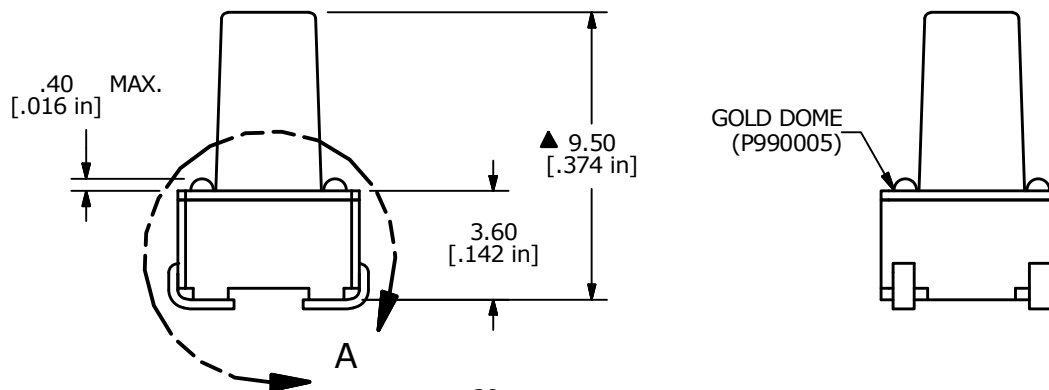
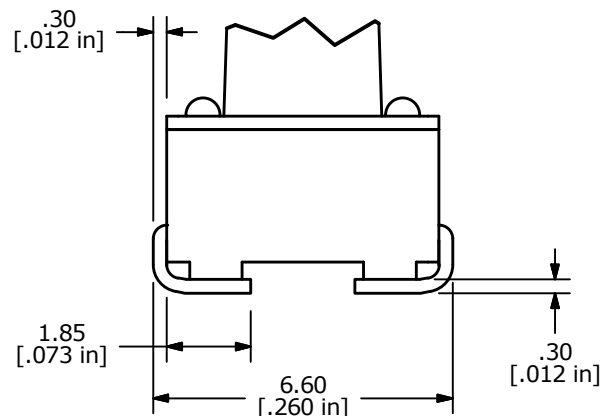


CIRCUIT: SPST



GOLD DOME  
(P990005)



DETAIL A

- NOTES:
1. ALL DIMENSIONS IN MM
  2. GENERAL TOLERANCE: X.X = ±0.4  
X.XX = ±0.25
  3. TERM. NOS. FOR REFERENCE ONLY.
  4. RATING: 12VDC, 50mA
  - ▲ 5. OPERATING FORCE: 160 ± 50 gms
  6. TRAVEL: 0.25mm +0.2/-0.1
  7. CONTACT RESISTANCE: 100 MILLI OHMS MAX. (INITIAL)
  8. MECHANICAL/ELECTRICAL LIFE: 100,000 CYCLES.
  - ▲ 9. CONTACT MATERIAL: GOLD
  10. PACKAGE: TUBE (90 PCS. PER TUBE)
  11. ▲ DENOTES CRITICAL PARAMETER
  12. 2011/65/EU (ROHS) COMPLIANT



B	22606	UPDATE PACKAGE NOTE 10	2/15/17	MW
A	18710	RELEASED FOR PRODUCTION	11/16/09	BLR
REV	PCR NO	DESCRIPTION	DATE	BY

TITLE TL3301BF160RJ				
SCALE	DATE	DR	DWG	REV
4:1	11/16/2009	BLR	P010656	B

THE INFORMATION CONTAINED IN THIS DOCUMENT IS PROPRIETARY TO E-SWITCH AND IS NOT TO BE COPIED OR TRANSFERRED