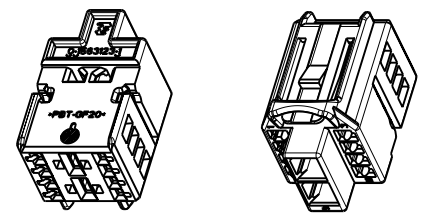
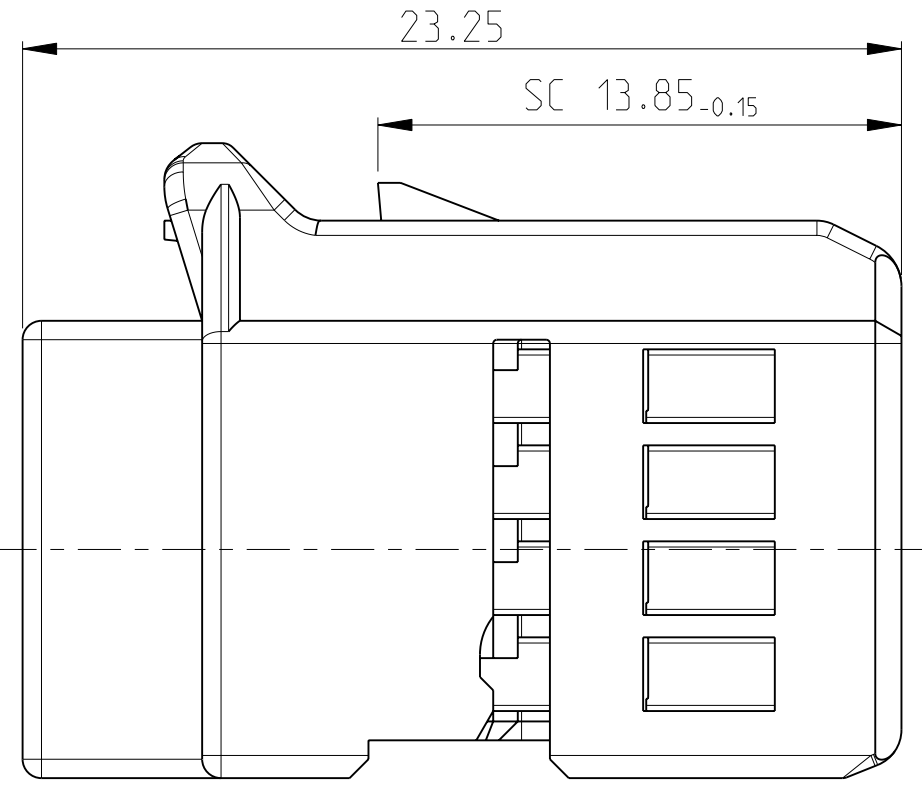
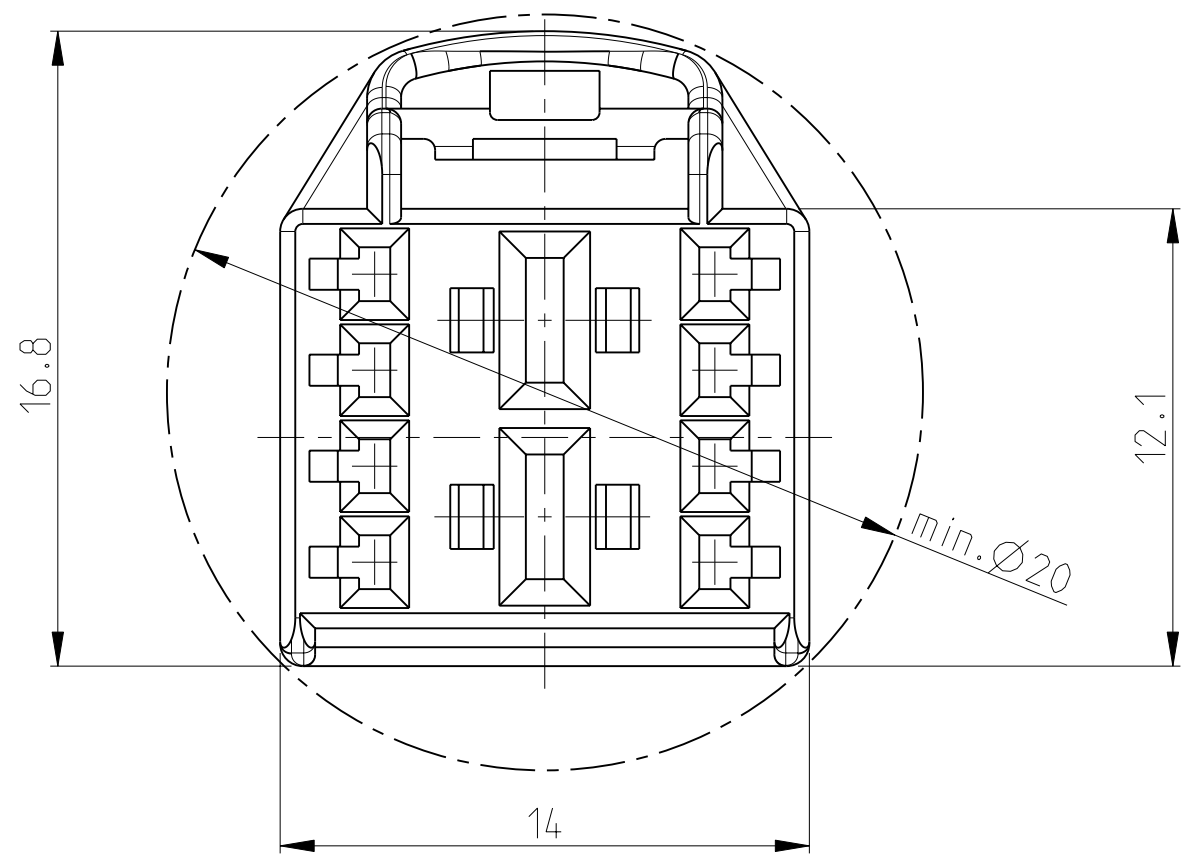
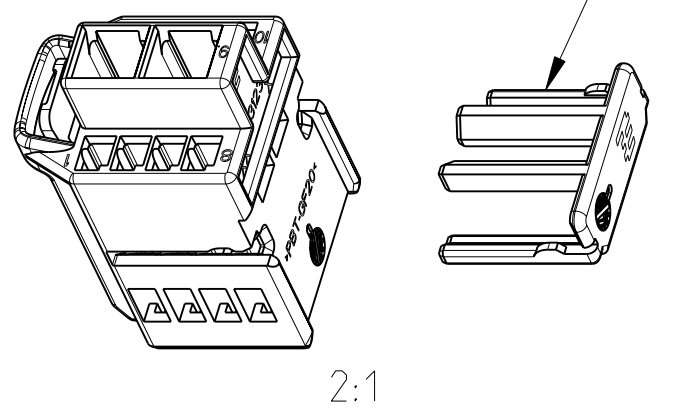
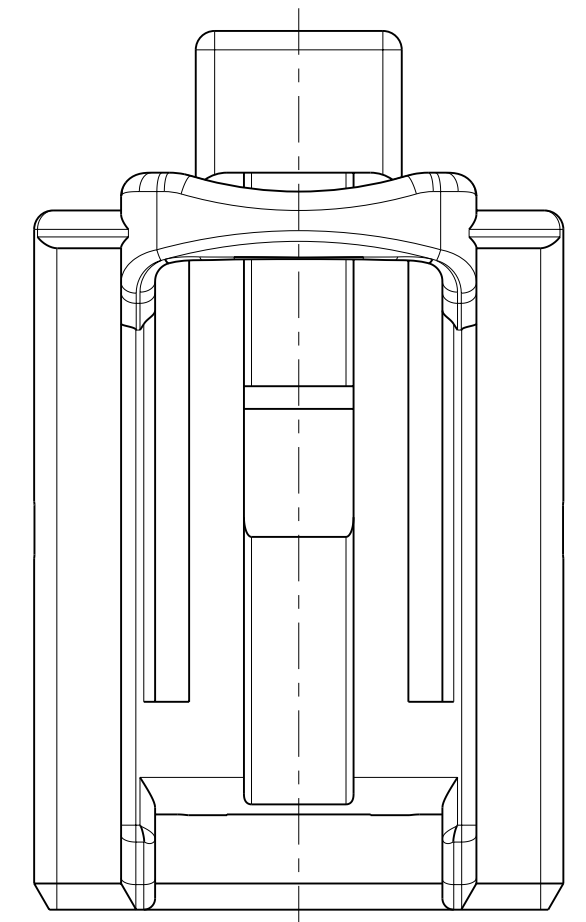


THIS DRAWING IS UNPUBLISHED. RELEASED FOR PUBLICATION 2007  
 © COPYRIGHT 2007 BY TYCO ELECTRONICS CORPORATION. ALL RIGHTS RESERVED.

LOC	DIST	REVISIONS			
P	LTR	DESCRIPTION	DATE	DWN	APVD
A		NEW DRAWING	27AUG2007	GP	GM
A1		ECR-07-029993	12DEC2007	GP	GM
A2		ECR-09-023140	22OCT2009	GP	GM
A3		ECR-10-008573	21APR2010	GP	GM



1:1



2:1

SECONDARY LOCK TO BE MOUNTED BY HARNESSMAKER AFTER CONTACT INSERTION:  
 Zweite Kontaktsicherung wird nach Kontaktbestuekung durch den Kabelkonfektionierer montiert:

0-1563124-1  
 10POS MIXED SECONDARY LOCK

**DELIVERY CONDITION:**  
**PARTS UNMOUNTED EACH IN SEPERATE BOXES.**  
**SECONDARY LOCK TO BE ORDERED SEPERATELY !**

**Anlieferungszustand:**  
**Teile werden separat geliefert.**  
**Zweite Kontaktsicherung muss separat bestellt werden !**

NOTES:  
 Bemerkungen:  
 1 MATED WITH TE-PN: 0-1563125-1  
 Verwendet mit TE-PN: 0-1563125-1  
 SC SIGNIFICANT CHARACTERISTIC  
 Significantes Merkmal

APPLICABLE TERMINALS verwendete Kontakte		
DESCRIPTION Beschreibung	FINISH Oberflaeche	TERMINALS TE-NO. Kontakte TE-Nr.
MCON 1.2 LL TERMINAL-FEMALE (0.25mm <sup>2</sup> -0.35mm <sup>2</sup> ) WITH INS.Ø1.1-Ø1.75	TIN PLATE	0-1452653-1
MCON 1.2 LL TERMINAL-FEMALE (0.5mm <sup>2</sup> -0.75mm <sup>2</sup> ) WITH INS.Ø1.4-Ø1.9	TIN PLATE	0-1452656-1
MCP2.8K TYPE A TERMINAL-FEMALE (0.2mm <sup>2</sup> -0.35mm <sup>2</sup> ) WITH INS.Ø1.15-Ø1.4	TIN PLATE	0-1241386-1
MCP2.8K TYPE A TERMINAL-FEMALE (0.5mm <sup>2</sup> -1.0mm <sup>2</sup> ) WITH INS.Ø1.4-Ø2.1	TIN PLATE	0-1241388-1
MCP2.8K TYPE A TERMINAL-FEMALE (>1.0mm <sup>2</sup> -2.5mm <sup>2</sup> ) WITH INS.Ø2.2-Ø3.0	TIN PLATE	0-1241390-1

PART NO	DESCRIPTION	COLOUR	ITEM NO
0-1563123-2	10POS. MIXED RECEPTACLE HOUSING	NATURE	1
0-1563123-1	10POS. MIXED RECEPTACLE HOUSING	BLACK SIMILAR RAL9011	1

<small>THIS DRAWING IS A CONTROLLED DOCUMENT FOR TYCO ELECTRONICS CORPORATION IT IS SUBJECT TO CHANGE AND THE CONTROLLING ENGINEERING ORGANIZATION SHOULD BE CONTACTED FOR THE LATEST REVISION.</small>		DWN G.PUCKEL 27AUG2007 CHK K.ROTH 27AUG2007 APVD G.MUMPER 27AUG2007	<b>Tyco Electronics</b> Tyco Electronics AMP GmbH 64625 Bensheim (Germany)
DIMENSIONS: mm	TOLERANCES UNLESS OTHERWISE SPECIFIED: 0 PLC ±0.50 1 PLC ±0.50 2 PLC ±0.50 3 PLC ± 4 PLC ± ANGLES ±2°	NAME 10POS MIXED RECEPTACLE HOUSING 8 x MCON1.2 AND 2 x MCP2.8 --	SIZE A2 CAGE CODE 00779 DRAWING NO. 1563123 RESTRICTED TO -
MATERIAL -	FINISH -	WEIGHT - APPLICATION SPEC - PRODUCT SPEC -	SCALE 5:1 SHEET 1 OF 1 REV A3