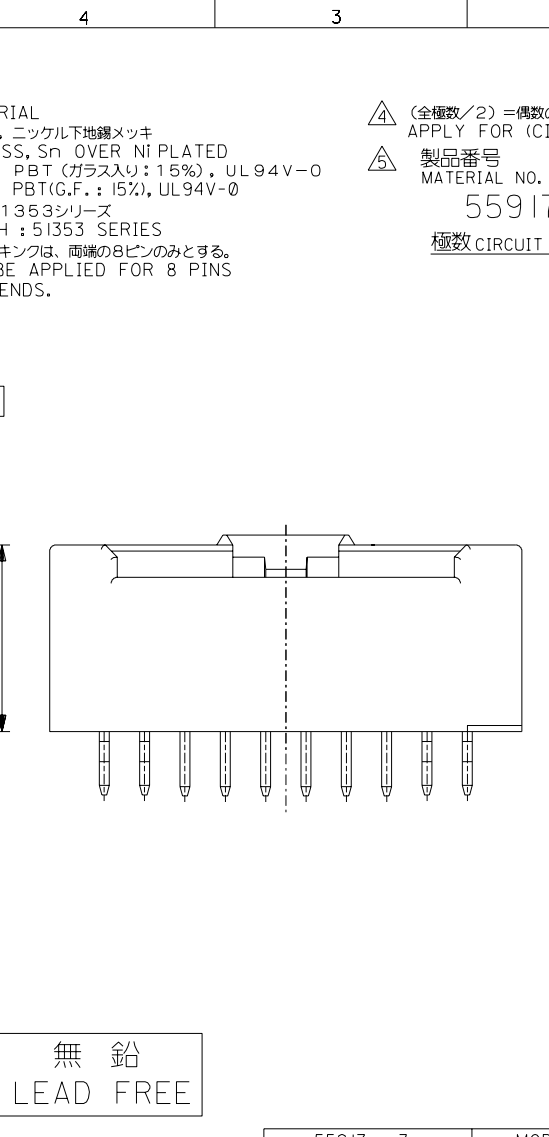
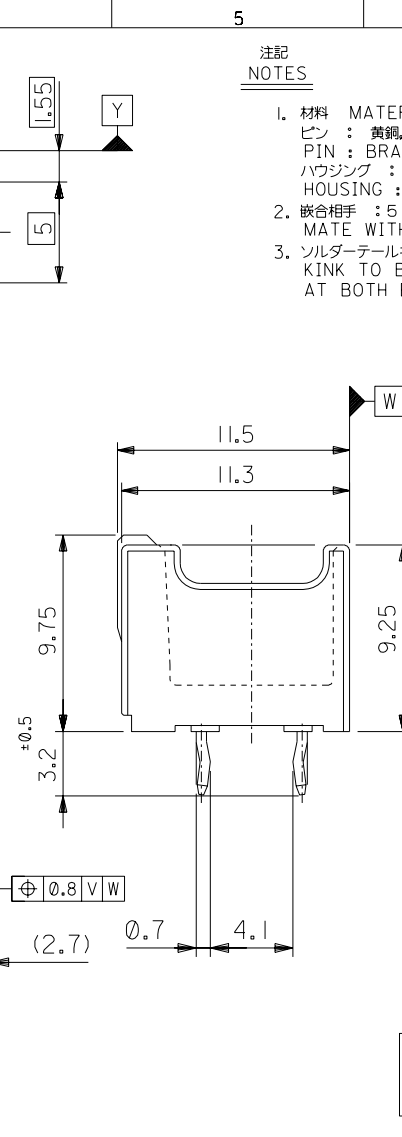
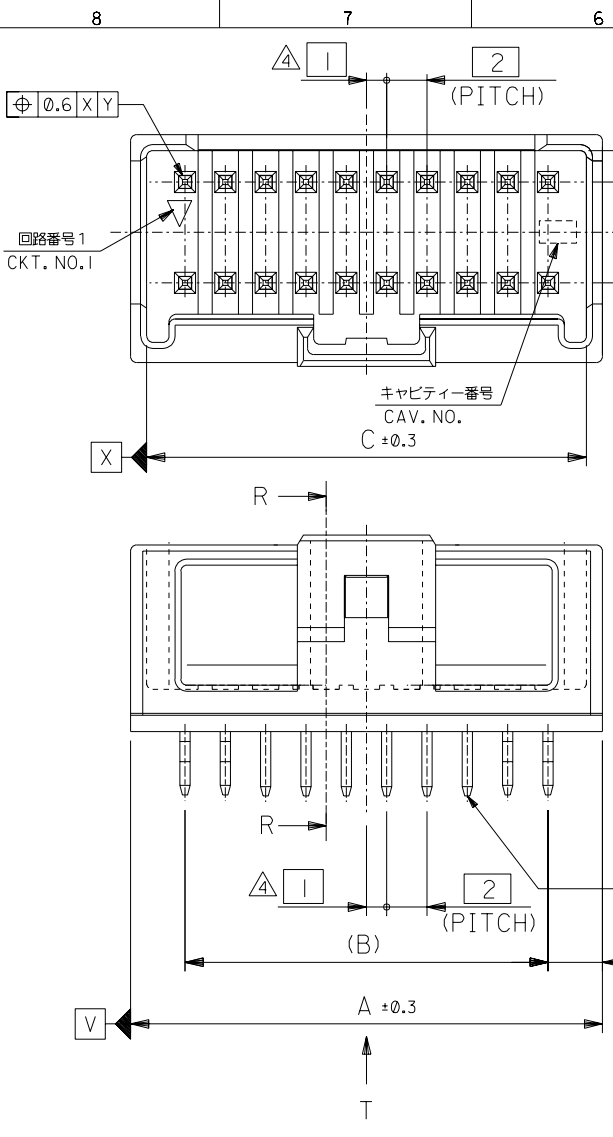


DO NOT SCALE DRAWING



注記 NOTES

- 材料 MATERIAL
 PIN : BRASS, Sn OVER Ni PLATED
 ハウジング : PBT (ガラス入り: 15%), UL94V-0
 HOUSING : PBT(G.F.: 15%), UL94V-0
- 嵌合相手 : 51353シリーズ
 MATE WITH : 51353 SERIES
- ソルダーテールキンは、両端の8ピンのみとする。
 KINK TO BE APPLIED FOR 8 PINS AT BOTH ENDS.

△ (全極数/2) = 偶数の場合に適用。
 APPLY FOR (CIRCUIT/2)=EVEN

△ 製品番号 MATERIAL NO.
 55917-***3*
 極数 CIRCUIT SIZE 色 COLOR

ナチュラル (白) NATURAL (WHITE)	0
黒 BLACK	1
赤 RED	2
黄 YELLOW	3
青 BLUE	4
桃 PINK	5
緑 GREEN	6
茶 BROWN	7
橙 ORANGE	8
紫 VIOLET	9

41.8	38	43.4	55917-403*	40
39.8	36	41.4	-383*	38
37.8	34	39.4	-363*	36
35.8	32	37.4	-343*	34
33.8	30	35.4	-323*	32
31.8	28	33.4	-303*	30
29.8	26	31.4	-283*	28
27.8	24	29.4	-263*	26
25.8	22	27.4	-243*	24
23.8	20	25.4	-223*	22
21.8	18	23.4	-203*	20
19.8	16	21.4	-183*	18
17.8	14	19.4	-163*	16
15.8	12	17.4	-143*	14
13.8	10	15.4	-123*	12
11.8	8	13.4	-103*	10
9.8	6	11.4	55917-083*	8
C	B	A	MATERIAL NO.	CKT.

無鉛
LEAD FREE

REVISED	REVISED	REVISED	RELEASED
03/06/26	03/06/19	02/03/18	02/02/28
K.ASAKAWA	K.ASAKAWA	K.ASAKAWA	K.ASAKAWA
YAMAGUCHI	YAMAGUCHI	YAMAGUCHI	YAMAGUCHI
03/06/26	03/06/19	02/03/18	02/02/28
K.ASAKAWA	K.ASAKAWA	K.ASAKAWA	K.ASAKAWA
YAMAGUCHI	YAMAGUCHI	YAMAGUCHI	YAMAGUCHI

MATERIAL 材料	注記参照 SEE NOTES
FINISH 仕上げ	//
WIRE RANGE 適用線径範囲	//
INS. RANGE 被覆外径	//

GENERAL TOLERANCES: (UNLESS SPECIFIED) 一般公差	SCALE 1:1	DESIGN UNITS mm			
10 UNDER 未満	±0.2	30 UNDER 未満	±0.25	30 OVER 以上	±0.3
ANGLE 角度	±3°				

55917-***3*	MODEL NO.	DIMENSIONS: mm INCH	SHT 1 OF 2	REV
2.0mm W+-B DUAL CONN DIP PLUG HOUSING ASS'Y ST (WITHOUT BOSS)	TITLE:	PROJECTION	REVISION	CAD ONLY
MOLEX INCORPORATED				
CAD FILENAME 55917005.S01	MATERIAL NO. SEE CHART	DRAWING NO. SD-55917-005	SHEET NO. 1 OF 2	SIZE B
* THIS DRAWING CONTAINS INFORMATION THAT IS PROPRIETARY TO MOLEX INCORPORATED AND SHOULD NOT BE USED WITHOUT WRITTEN PERMISSION.				

DO NOT SCALE DRAWING

DWG. NO. SD-55917-005

F

D

V

C

B

8

7

REVISED

63NO. J2003-3290
DRWN:N.ITO '03/06/26
CHK: K.ASAKAWA
APPR:T.YAMAGUCHI

C

REVISED

62NO. J2003-3134
DRWN:N.ITO '03/06/19
CHK: K.ASAKAWA
APPR:T.YAMAGUCHI

B

REVISED

61NO. J2002-2307
DRWN:N.ITO '02/03/18
CHK: K.ASAKAWA
APPR:T.YAMAGUCHI

A

RELEASED

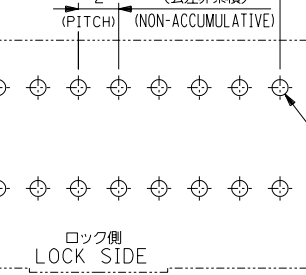
60NO. J2002-1826
DRWN:N.ITO '02/02/28
CHK: K.ASAKAWA
APPR:T.YAMAGUCHI

0

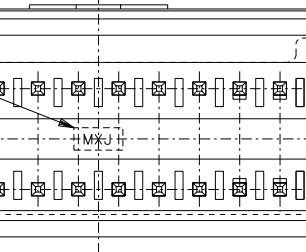
REV
INS. RANGE
被覆外径

6

RECOMMENDED P.C.BOARD HOLE DIMENSION (MOUNTING SIDE) (t=1.2,1.6)



VIEW *T*



無鉛
LEAD FREE

注記参照
SEE NOTES

MATERIAL 材料

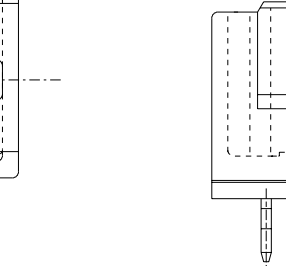
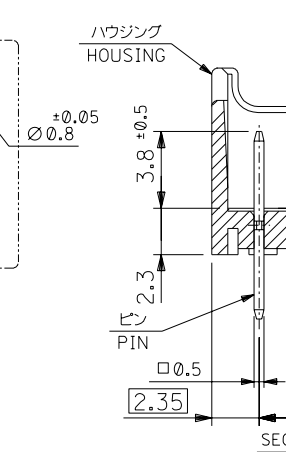
FINISH 仕上げ

WIRE RANGE 適用線径範囲

INS. RANGE 被覆外径

5

ハウジング
HOUSING



嵌合断面図 (参考)
MATED DRAWING (REF.)

GENERAL TOLERANCES:
(UNLESS SPECIFIED)
一般公差

10 UNDER 未満 ±0.2

10 OVER 30 UNDER 未満 ±0.25

30 OVER 以上 ±0.3

ANGLE 角度 ±3°

4

55917-***3

SCALE 4:1

DESIGN UNITS
mm INCH

PROJECTION

DRWN BY & DATE
N.ITO '02/02/28

CHECKED BY & DATE
K.ASAKAWA '03/06/26

APPROVED BY & DATE
T.YAMAGUCHI '03/06/26

CAD FILENAME
55917005.S02

MATERIAL NO.
SEE CHART

DRAWING NO.
SD-55917-005

SHEET NO.
2 OF 2

SIZE
B

55917005.S02

EN-02J(097) MXJ-54

3

MODEL NO.

DIMENSIONS:
mm INCH mm ONLY

SHT REV
2 OF 2

TITLE:
2.0mm W-t-B DUAL CONN DIP
PLUG HOUSING ASS'Y ST (WITHOUT BOSS)

MOLEX INCORPORATED

MATERIAL NO.
SEE CHART

DRAWING NO.
SD-55917-005

SHEET NO.
2 OF 2

SIZE
B

55917005.S02

EN-02J(097) MXJ-54

2

55917-***3

SCALE 4:1

DESIGN UNITS
mm INCH

PROJECTION

DRWN BY & DATE
N.ITO '02/02/28

CHECKED BY & DATE
K.ASAKAWA '03/06/26

APPROVED BY & DATE
T.YAMAGUCHI '03/06/26

CAD FILENAME
55917005.S02

MATERIAL NO.
SEE CHART

DRAWING NO.
SD-55917-005

SHEET NO.
2 OF 2

SIZE
B

55917005.S02

EN-02J(097) MXJ-54

1

MODEL NO.

DIMENSIONS:
mm INCH mm ONLY

SHT REV
2 OF 2

TITLE:
2.0mm W-t-B DUAL CONN DIP
PLUG HOUSING ASS'Y ST (WITHOUT BOSS)

MOLEX INCORPORATED

MATERIAL NO.
SEE CHART

DRAWING NO.
SD-55917-005

SHEET NO.
2 OF 2

SIZE
B

55917005.S02

EN-02J(097) MXJ-54