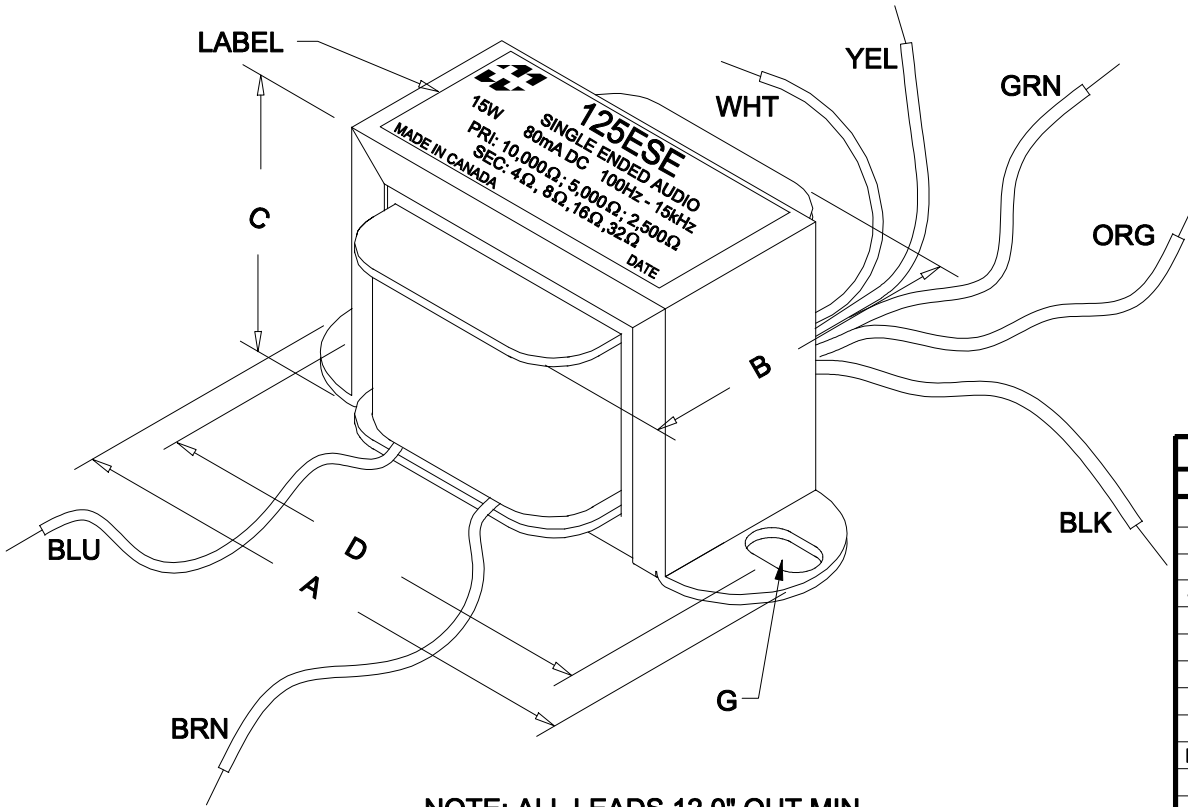
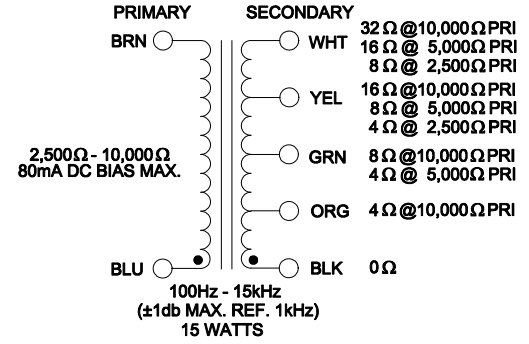


DIMENSIONS:	
A	4.500" ±0.063
B	2.360" ±0.125
C	2.933" ±0.063
D	4.000" ±0.063
G	0.203" X 0.313" ±0.015



NOTE: ALL LEADS 12.0" OUT MIN.



ELECTRICAL DATA:		
TESTS	CONDITIONS	ACCEPTANCE CRITERIA
I _{ex}	@ 240V, 100Hz, BLU - BRN	22.6mA - 29.9mA
Sec. N.L.V	@ 240V, 100Hz, BLU - BRN	
	BLK - ORG =	4.802V ±2%
	BLK - GRN =	6.896V ±2%
	BLK - YEL =	9.605V ±2%
	BLK - WHT =	13.79V ±2%
DCR	@ 20°C, BLU - BRN =	100.5 Ω ±20%
	@ 20°C, BLK - WHT =	0.590 Ω ±20%
HIPOT	PRIMARY - SECONDARY	1500V, 60Hz, 1 SEC

REV.#	REVISION	DATE
0	RELEASED. C.I.	01/29/16

HAMMOND MANUFACTURING™ ELECTRONIC DIVISION
 52 RANKIN PLACE, WATERLOO, ONTARIO, N2J 3Z5
 PH # (519) 886-6181 FAX # (519) 886-9540

DWG. BY: C. ILIE	CHK'D BY:	TITLE: SINGLE ENDED AUDIO TRANSFORMER	DWG. NO. 125ESE
DATE: 01/29/16	APP'D. BY:		
	DIMENSIONS: IN(X) MM()		