

NOTES:

1.0 ELECTRICAL SPECIFICATIONS:

1.1 FREQUENCY RANGE: DC TO 18.0 GHz

1.2 MAXIMUM INPUT POWER:

2 WATTS AT +25°C

1 WATT AT +125°C

1.3 MAXIMUM VSWR:

DC to 4 GHz: 1.05:1

4 to 12 GHz: 1.10:1

12 to 18 GHz: 1.14:1

1.4 IMPEDANCE: 50 OHMS

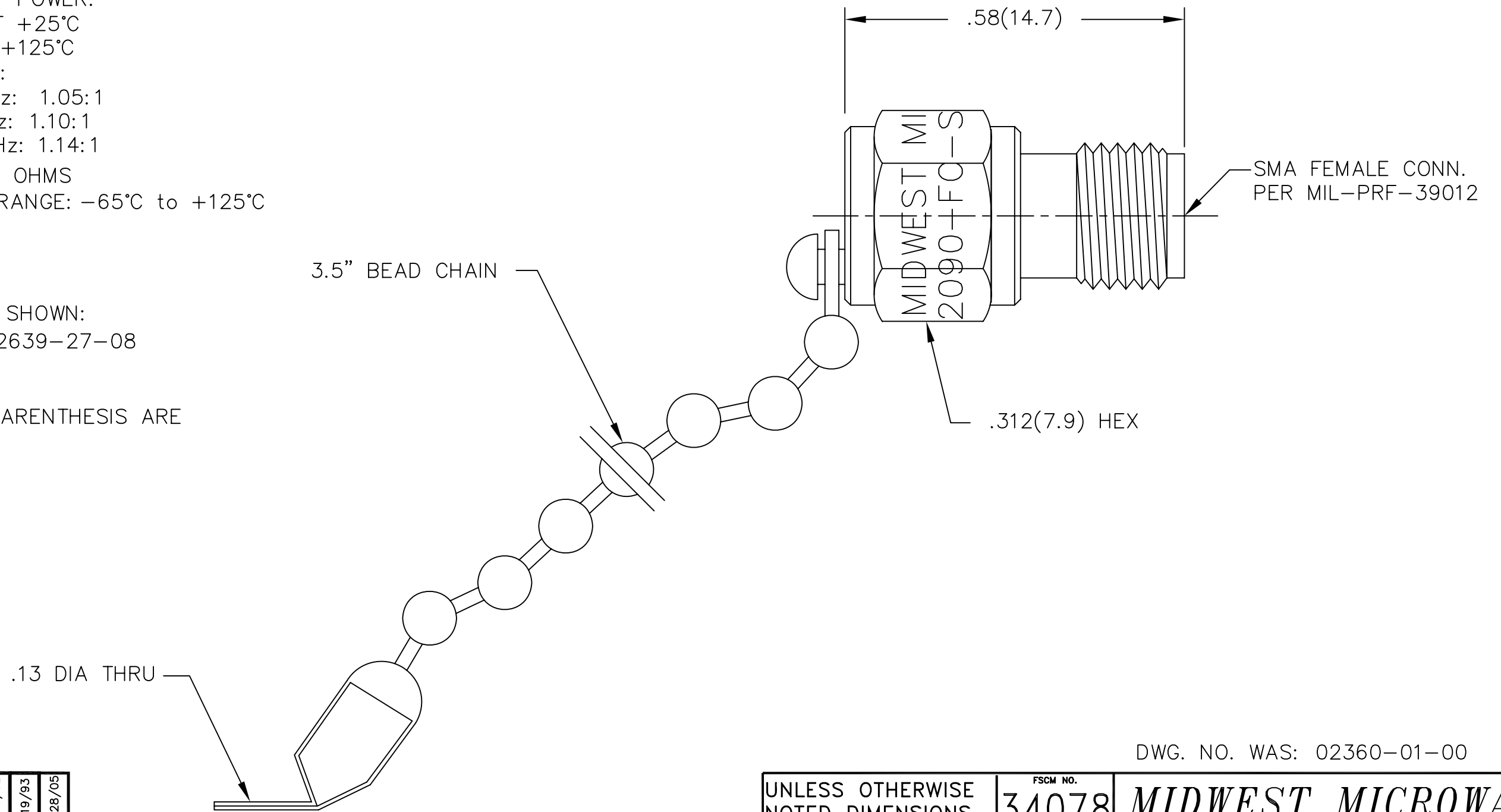
1.5 TEMPERATURE RANGE: -65°C to +125°C

2.0 MARKING:

2.1 MARK UNIT AS SHOWN:

REF.: INK-02639-27-08

3.0 DIMENSIONS IN PARENTHESIS ARE IN MILLIMETERS.



DWG. NO. WAS: 02360-01-00

REV.	DESCRIPTION	DATE
-	RELEASED	7/26/85
A	ECR 3676	6/24/85
B	ECR 5855	2/20/88
C	ECR 6545	8/27/89
D	ECR 6940	11/14/89
E	ECR 7356	4/24/90
E1	REDRAW ON CAD	9/6/91
F	ECN 11825	5/18/92
G	ECN 12132	10/16/92
H	ECN 13122	11/19/93
H1	ADDED TITLEBLOCK	10/28/05

UNLESS OTHERWISE NOTED DIMENSIONS ARE IN INCHES AND TOLERANCES ARE: 3 PLACE DECIMALS ±.005 2 PLACE DECIMALS ±.02 FRACTIONS ±1/64 PARALLELITY: T.I.R. _____ FLATNESS: T.I.R. _____ CONCENTRICITY: T.I.R. _____ ANGLES AND PERPENDICULARITY: ±1'	FSCM NO. 34078	MIDWEST MICROWAVE		
	NOTICE: The information contained in this drawing is proprietary and must not be used without the permission of Midwest Microwave		TITLE 2 WATT TERMINATION	
	DRAWN/DATE A.BEATTY 9/6/91	ENG./DATE G.KOZAK 9/23/91	DRAWING NUMBER TRM-2090-FC-SMA-02	
	CHECKED/DATE C.RICKARD 9/10/91	APPROVED/DATE	SCALE: 5=1	SHEET 1 of 1

MODEL NUMBER
TRM-2090-FC-SMA-02
REV.
H1