

THIS DRAWING IS UNPUBLISHED.

RELEASED FOR PUBLICATION

ALL RIGHTS RESERVED.

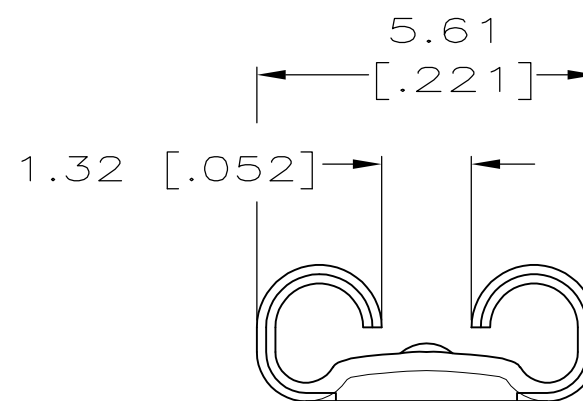
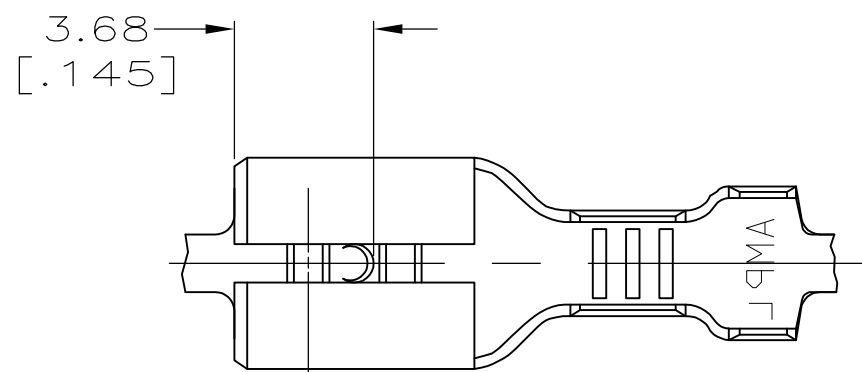
© COPYRIGHT - By -

LOC AF DIST 50

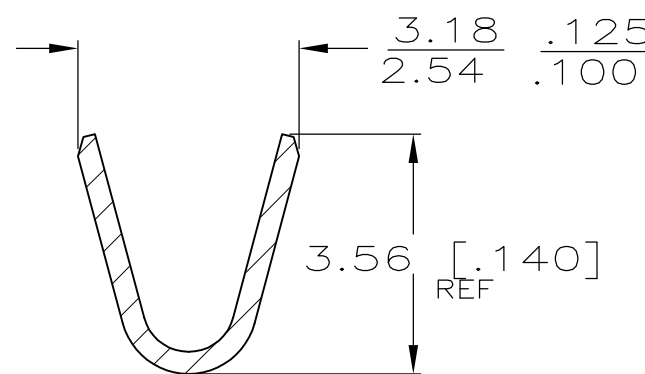
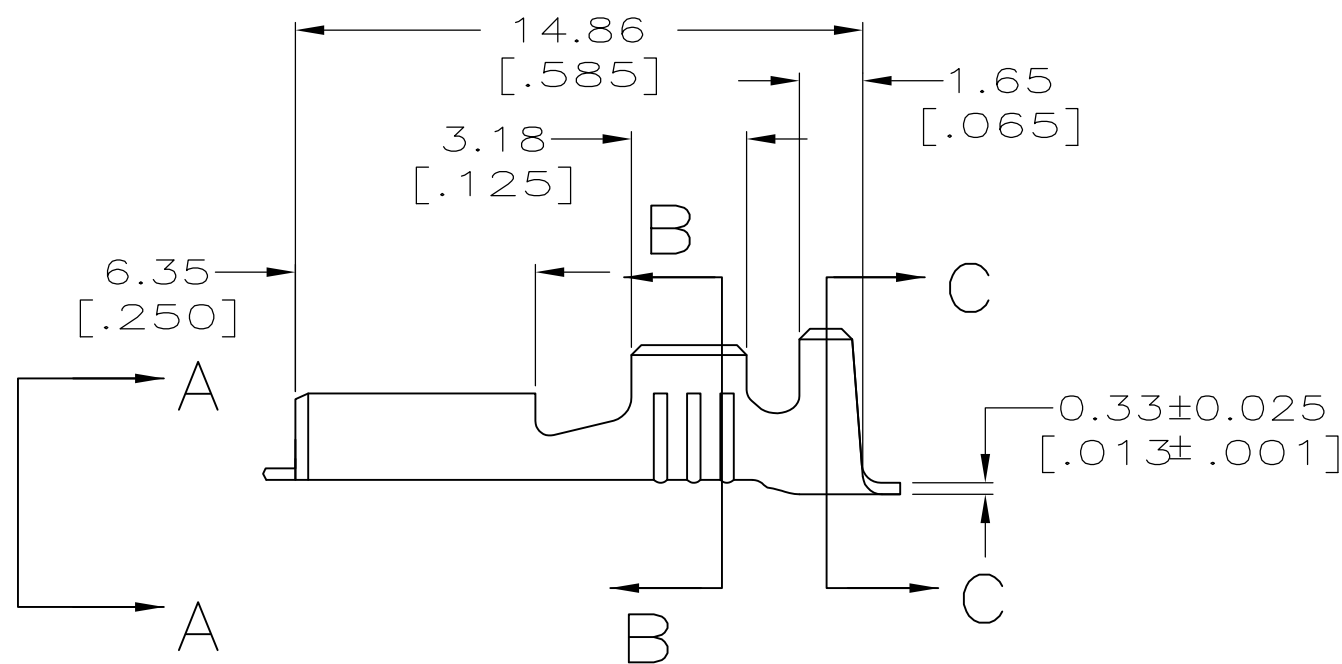
REVISIONS

P	LTR	DESCRIPTION	DATE	DWN	APVD
	F	REVISED PER ECR-12-013518	23NOV2012	KH	PD

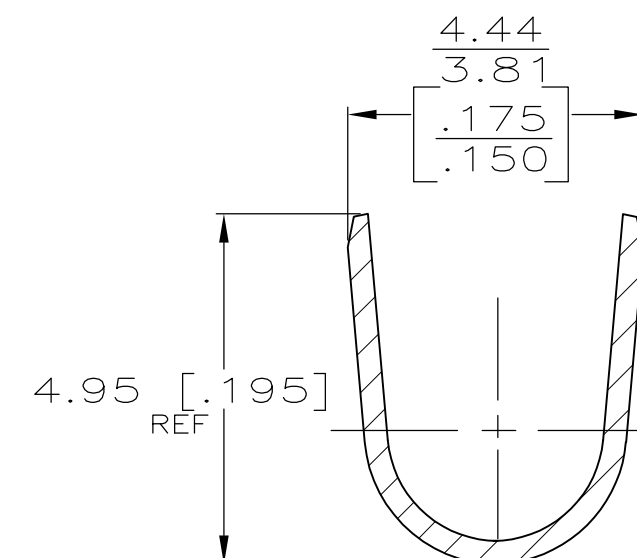
- ACCEPTS WIRE SIZE [#20-#16] AWG.
- INSULATION RANGE IS 2.29-3.30 [.090-.130] DIA.
- CONTINUOUS STRIP ON REELS.



VIEW A-A  
SCALE 8:1



SECTION B-B  
SCALE 8:1



SECTION C-C  
SCALE 8:1

OBSOLETE	TIN	0.51±0.025	63556-2
	-	[.020±.001]	-63556-1
	FINISH	MATING TAB THICKNESS	PART NUMBER

F OR 0	3.56 [.140]	4.78 [.188]	F	2.29 [.090]	1.52 [.060]	1.3mm <sup>2</sup> [16]
					1.35 [.053]	0.8mm <sup>2</sup> [18]
					1.24 [.049]	0.5mm <sup>2</sup> [20]
TYPE	WIDTH	STRIP LENGTH ±0.38 ±[.015]	TYPE	WIDTH	±.051 [±.002] HEIGHT	WIRE
INSUL BARREL CRIMP		WIRE BARREL CRIMP				

THIS DRAWING IS A CONTROLLED DOCUMENT.	
DIMENSIONS: mm [INCHES]	TOLERANCES UNLESS OTHERWISE SPECIFIED:
	0 PLC ± -
	1 PLC ± -
	2 PLC ± 0.25 [.010]
	3 PLC ± -
	4 PLC ± -
	ANGLES ± -
MATERIAL BRASS	FINISH SEE TABLE

DWN	JR RUTH	11/8/89
CHK	MS FEHER	11/8/89
APVD	C MEYERS	11/8/89
PRODUCT SPEC	-	
APPLICATION SPEC	-	
WEIGHT	-	
CUSTOMER DRAWING		

TE Connectivity				NAME			
				RECEPTACLE, LIF, FASTON, 4.75 [.187] SERIES			
SIZE	CAGE CODE	DRAWING NO	RESTRICTED TO				
A3	00779	C-63556	-				
SCALE 5:1		SHEET 1 OF 1	REV F				