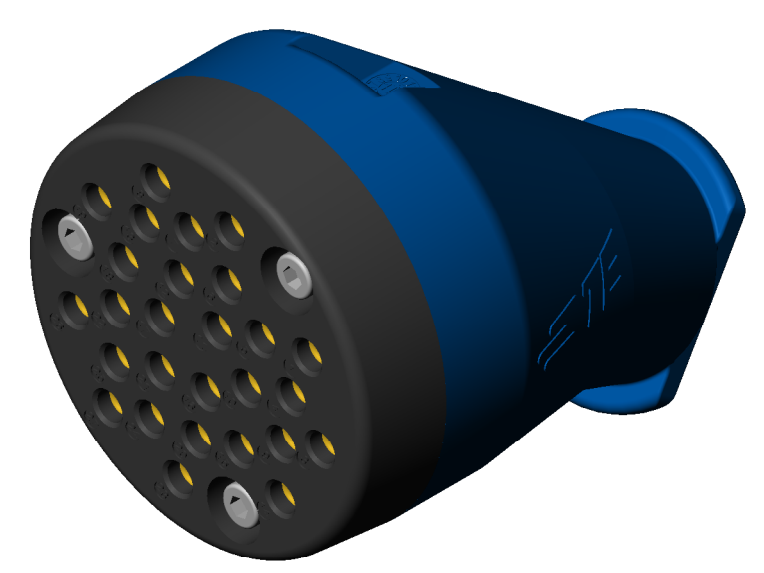


QTY	DESCRIPTION	UNIT	REF	REMARKS
5	Papier Papier		YSPEC-408-157000-2	Instruction de montage / Mounting instruction
1	0206-0329AS			Sachet déshydratant / Deshydrating bag
1	Y00000-0206-0217AS			Boîte en carton / Carton box
3	CHCM08x40-I			Vis CHC / Screw CHC
3	MU-08-I			Rondelle plate / Plain washer
3	1504-0030U4			Entretoise / Spacer
1	YA-UC-212590A-J000			Cône de serrage / Clamping cone
1	YS-UC-212601A-AA1A			KIT de 3 contacts femelle AWG 10 / KIT with 3 female contacts 10 AWG
1	YS-UC-212602A-AA1A			KIT de 24 contacts femelle AWG 12 et 14 / KIT with 24 female contacts 12 and 14 AWG
1	YK-UC-211288A-YU00			Isolant femelle / Female insert
27	1504-0008A4			Manchon / Sleeve
1	YK-UC-211276A-QK00			Isolant mixte / Mixed insulator
1	YF-UC-211324A-JG05			Corps de fiche - position 42 / Plug body - position 42
	Conversion Cr3 Cr3 conversion			
	Protection Plating			
	Fiche matière / Data sheet			
	Matière / Material			
	Masse (g) / Weight (g)			
	Nbr Qty			
	Codification / Part number			
	Désignation / Designation			
				REP Item

- 1 ( ) : cotes pour information / dimensions for information
- 1 ( ) : cotes de contrôle / inspection dimensions
- 2 ( ) Instructions de mise en oeuvre à appliquer par le client  
Customer instructions to be applied by the customer
- 3 A label with the commercial reference and the complete BOM is glued on the cardboard
- 4 Ref. YS-UC-212601A-AA1A is a KIT with 3 contacts AWG10  
Ref. YS-UC-212602A-AA1A is a KIT with 24 contacts AWG12/14
- 5 Laser marking :  
TE + Commercial reference + Year-Week
- 6 Blue paint
- 8 Work instruction according to 118-157000-2
- 9 Groove made to differentiate contacts
- 10 Sleeves packaging separately and identified
- 11 Daniels manual crimping tool :  
- Hand crimper HX4  
- Die Y543  
Daniels pneumatic crimping tool :  
- Pneumatic pump HX23  
- Die Y543
- 12 Tightening torque = 10Nm
- 14 Standards :  
AAR 3-512, APTA RP-E-019-99
- 15 Key
- 16 DRAFT ANGLE
- 17 Packaging Specification 107-157003
- 18 Clamping cone Rep 7 suitable with hose acc. to APTA PR-E-RP-019-99 and AAR 3512 definition, 1.14inch in I.D. and 1.23/32 in O.D. (e.g. PARKER ref. GST 11 BLACK 15 BAR 32x45)

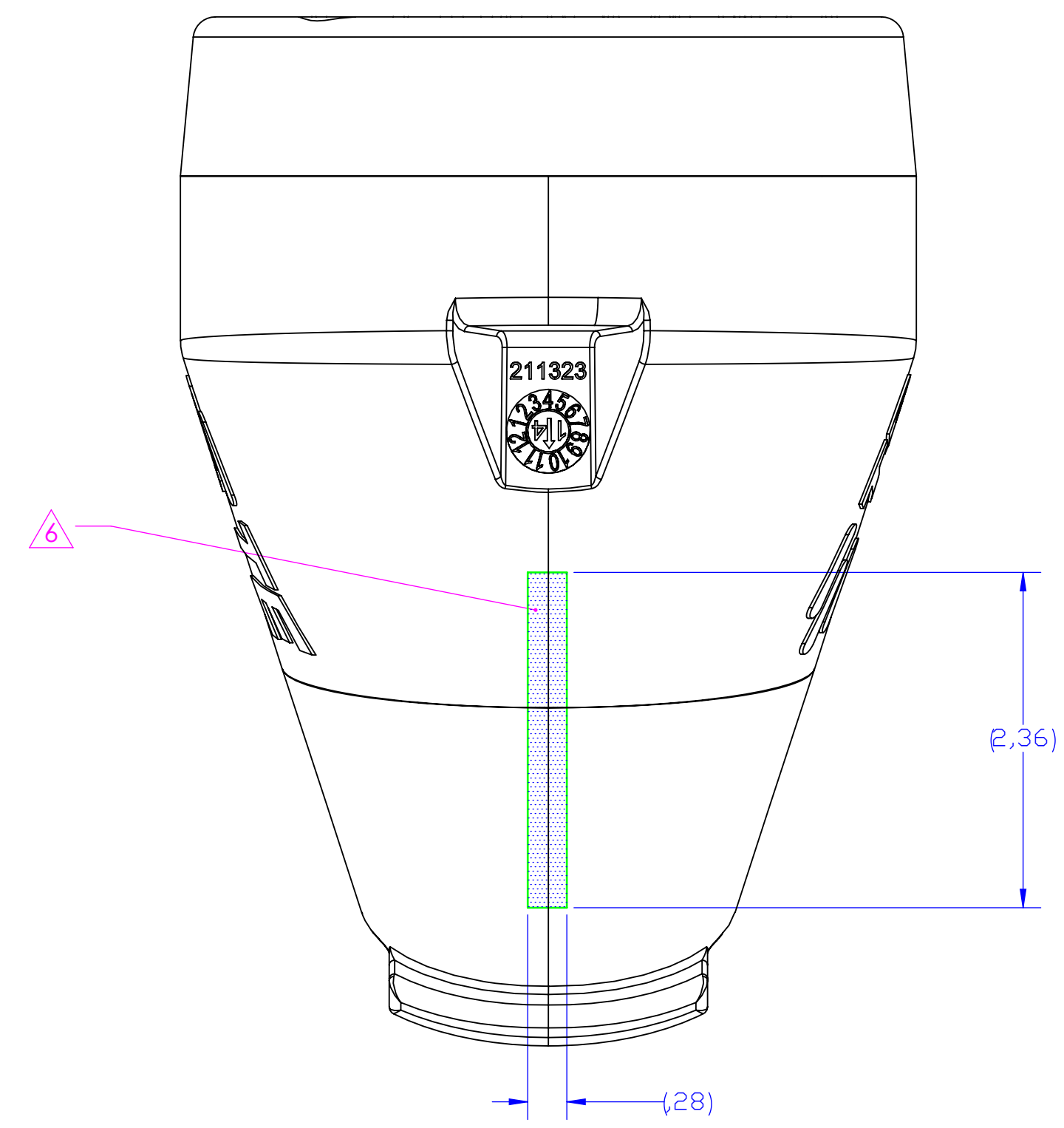
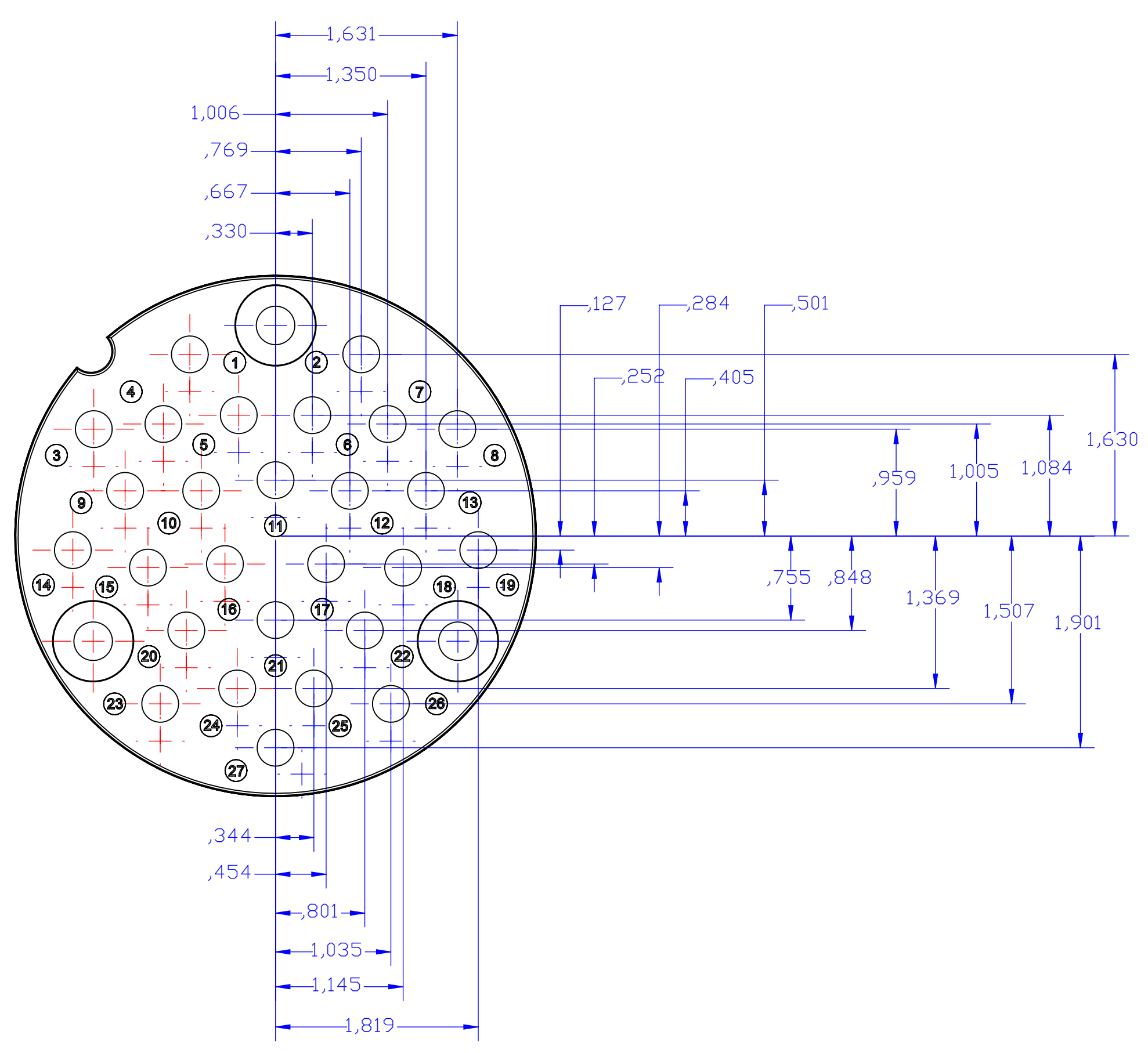
Vue isométrique - Echelle 1:2  
Isometric view - Scale 1:2



Vue isométrique - Echelle 1:2  
Isometric view - Scale 1:2

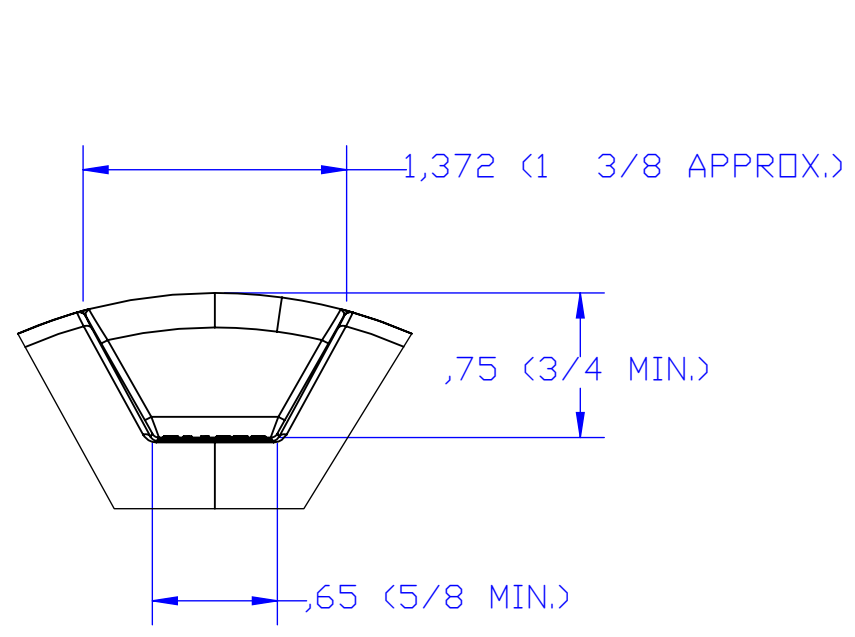


INSULATOR VIEW  
SCALE 1:1

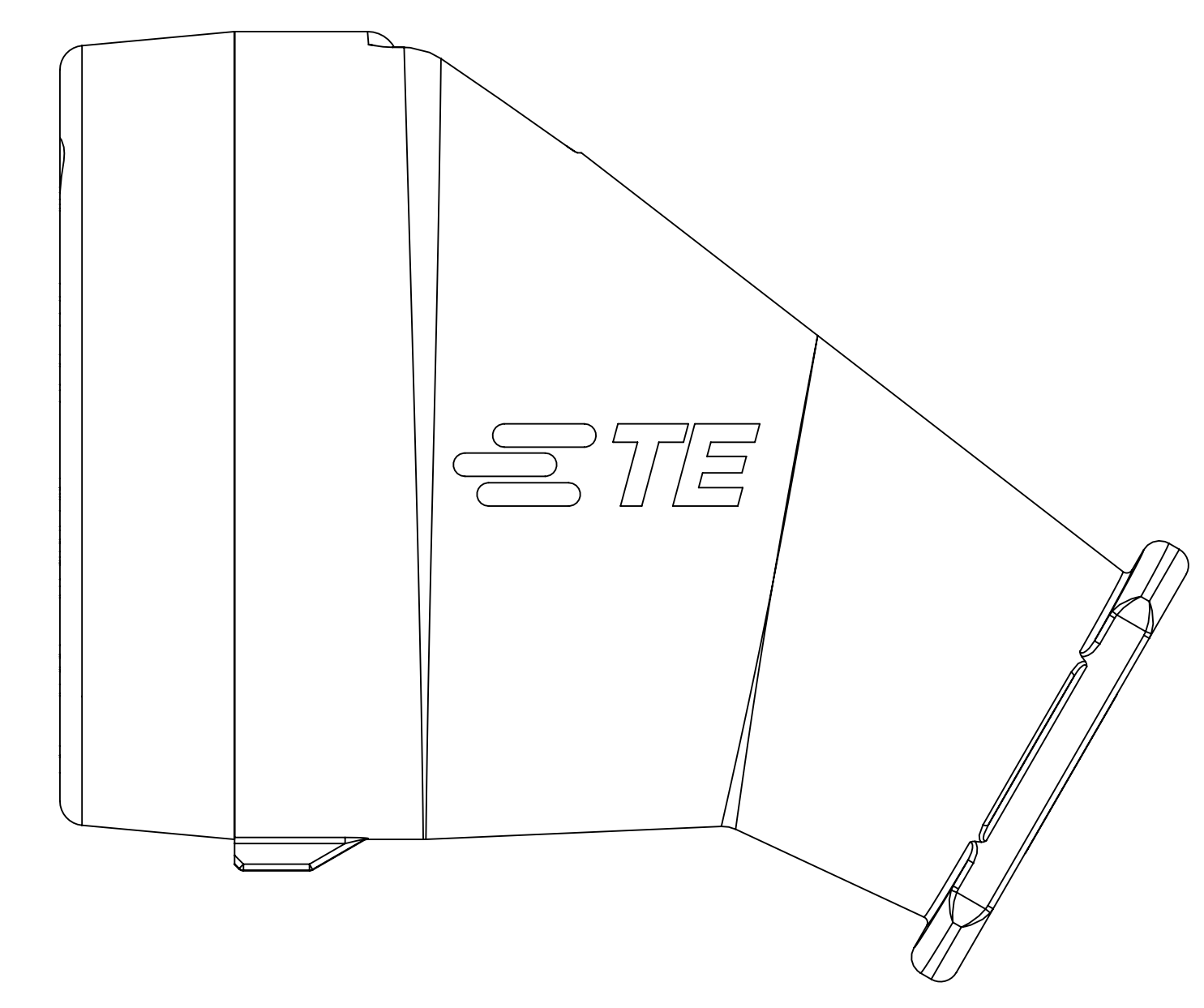
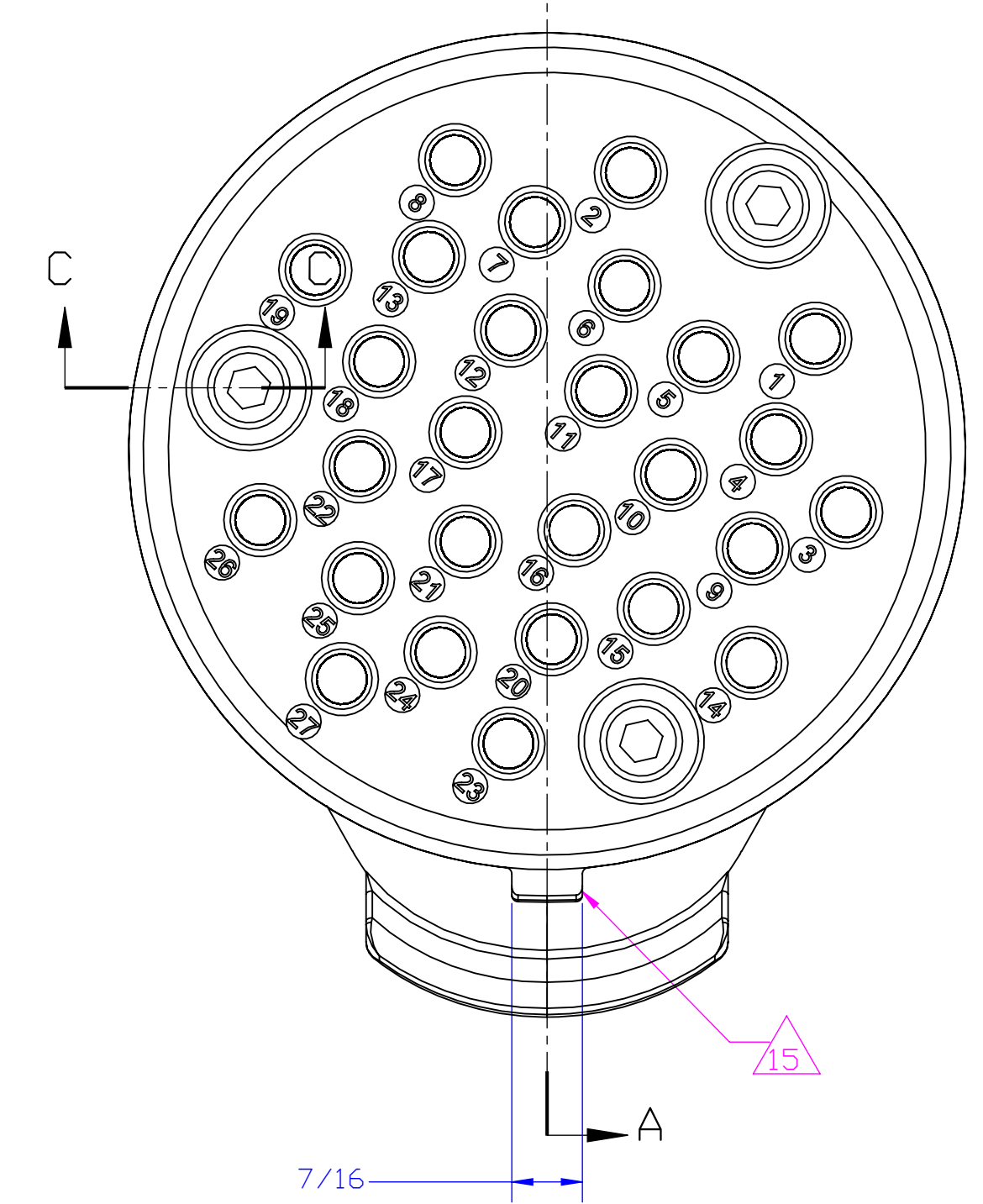
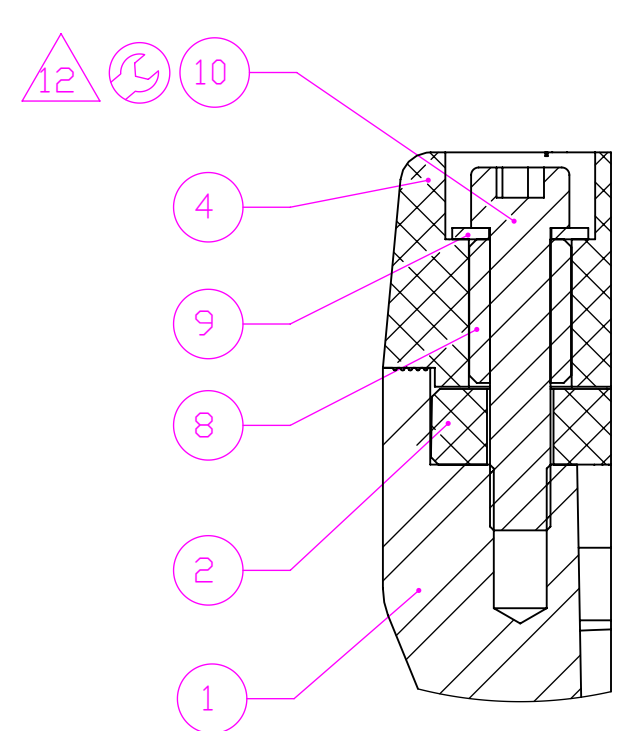
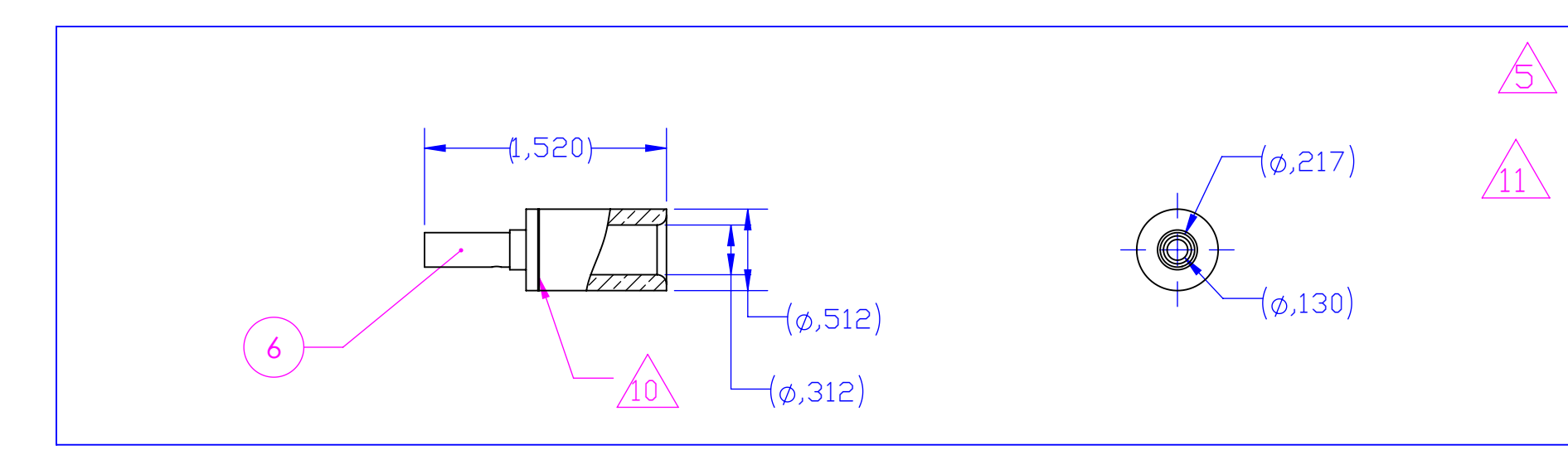
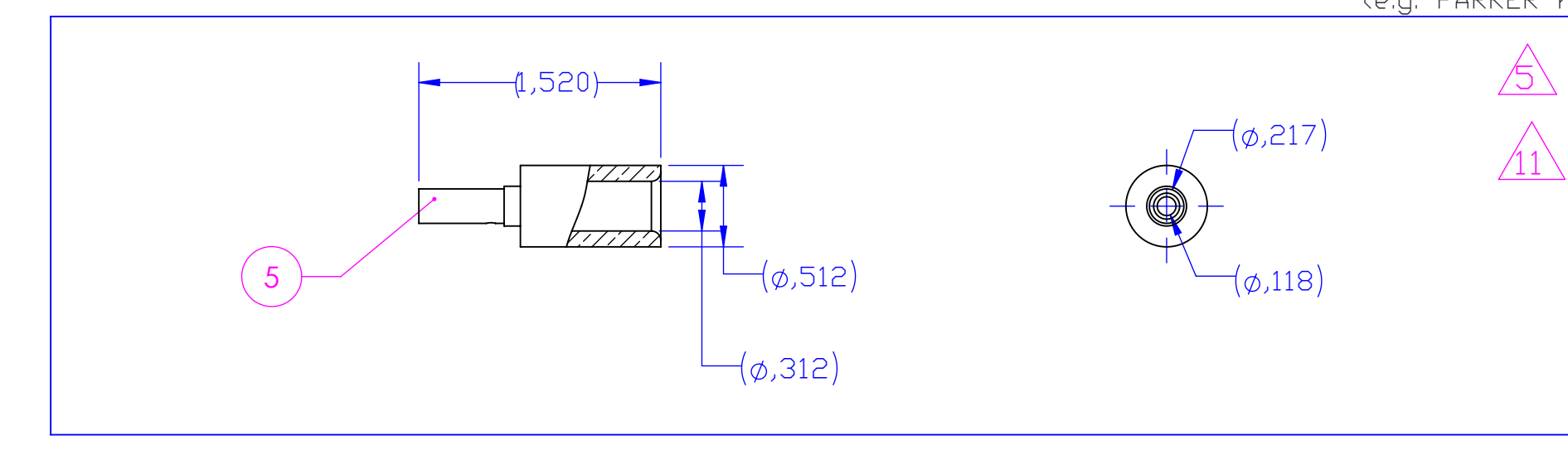
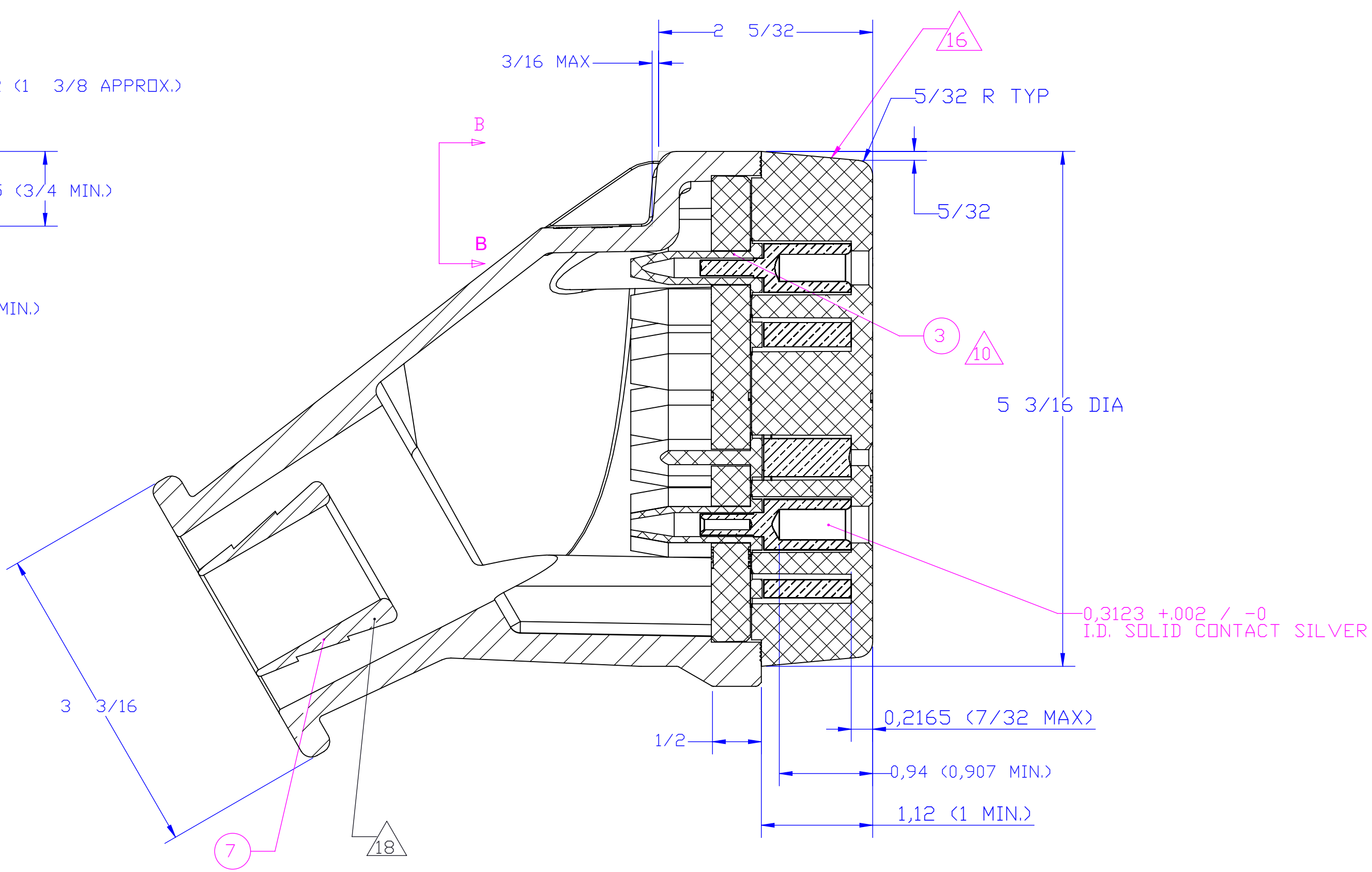


C-C VIEW

VIEW B-B



A-A VIEW



Référence commerciale / Commercial reference : 27P-PLU-2-01

THIS DRAWING IS A CONTROLLED DOCUMENT.

DESIGNED BY: M. BONNIN	28.JUL.2015	DRAWN BY: J.F. GALBRAUX	28.JUL.2015
CHECKED BY: M. VIMARD	28.JUL.2015	APPROVED BY: M. VIMARD	28.JUL.2015

PROJECT: 108-157001  
APPLICATION: 408-157000-2  
WEIGHT: 4.480 pound  
CUSTOMER DRAWING

STE  
TE Connectivity  
PLUG COMMUNICATION  
AC  
SCALE: 1:1  
SHEET: 1 OF 1  
REV: 0