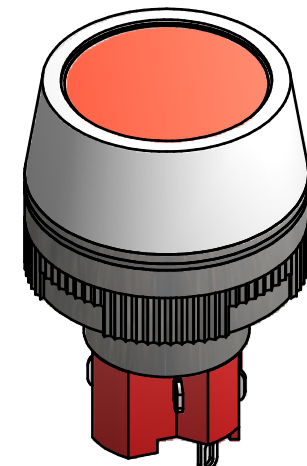
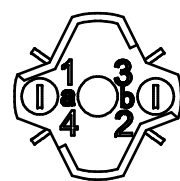
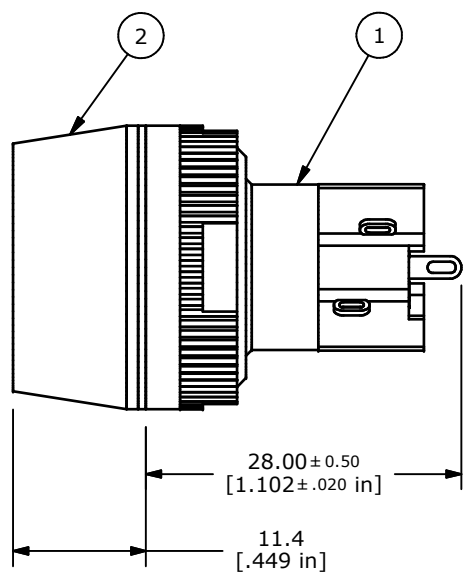


Parts List			
ITEM	QTY	PART NUMBER	DESCRIPTION
1	1	F060606	LASOAV11
2	1	F051702	25MM RING FOR LA SERIES
3	1	F060255	25MM RED LENS
4	1	F050404	50-004-04 14V 80mA INCANDESCENT LAMP



ISOMETRIC

- NOTE:
1. ALL DIMENSIONS IN MM [INCH]
 2. GENERAL TOLERANCE: X.X=±0.4
X.XX=±0.25
 3. TERMINAL NUMBERS FOR REF ONLY
 4. RATING: 5 AMPS @ 250VAC UL, VDE APPROVED
6 AMPS @ 24VDC UL, VDE APPROVED
 5. ELECTRIC LIFE: 50,000 MAKE-AND-BREAK CYCLES AT FULL LOAD.
 6. INSULATION RESISTANCE: 1,000 MEGA-OHM MIN.
 7. OPERATING TEMP.: -25°C to 55°C
 - ▲ 8. LAMP VOLTAGE: 14 V (AC or DC) INCANDESCENT LAMP
 9. PANEL THICKNESS: 0.5mm - 4.0mm
 10. ▲ DENOTES CRITICAL PARAMETER.
 11. PACKAGE: BOX/20 PIECES PER BOX
 - ▲ 12. 2002/95/EC (ROHS) COMPLIANT



A	18989	Released For Production	4/7/10	BLR
REV	PCR NO	DESCRIPTION	DATE	BY
THE INFORMATION CONTAINED IN THIS DOCUMENT IS PROPRIETARY TO E-SWITCH AND IS NOT TO BE COPIED OR TRANSFERRED				

TITLE LASOAV11BRED				
SCALE	DATE	DR	DWG	REV
1.5:1	4/7/2010	BLR	XF0818P	A