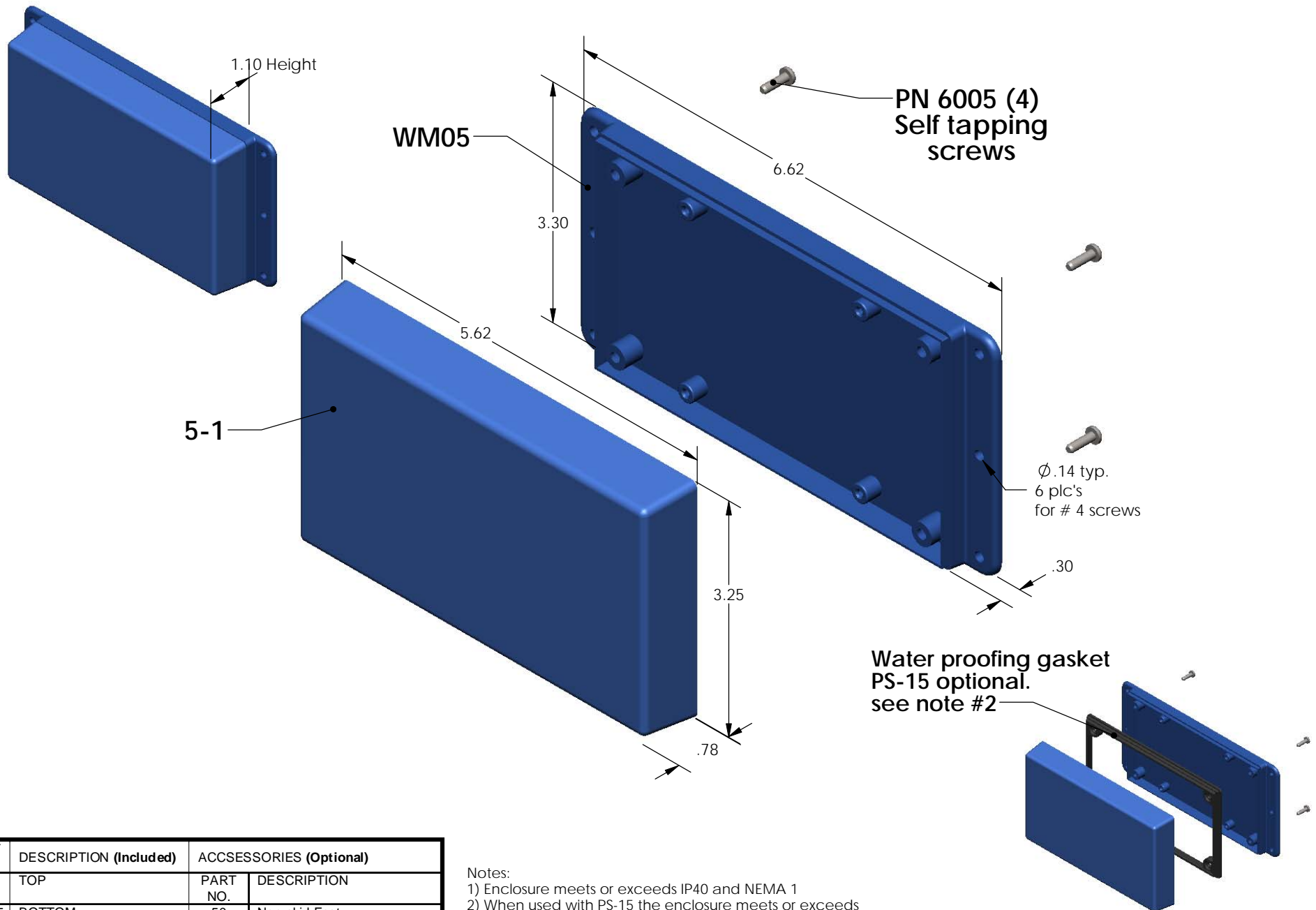


# SERPAC WM051 (exploded isometric)

Electronic Enclosures



PART NO.	DESCRIPTION (Included)	ACCESSORIES (Optional)	
5-1	TOP	PART NO.	DESCRIPTION
WM05	BOTTOM	50	Non-skid Feet
6005	#4 self tapping screw (4)	PS-15	Perimeter Seal
		350	Prototype grid board
		450	Prototype clad board

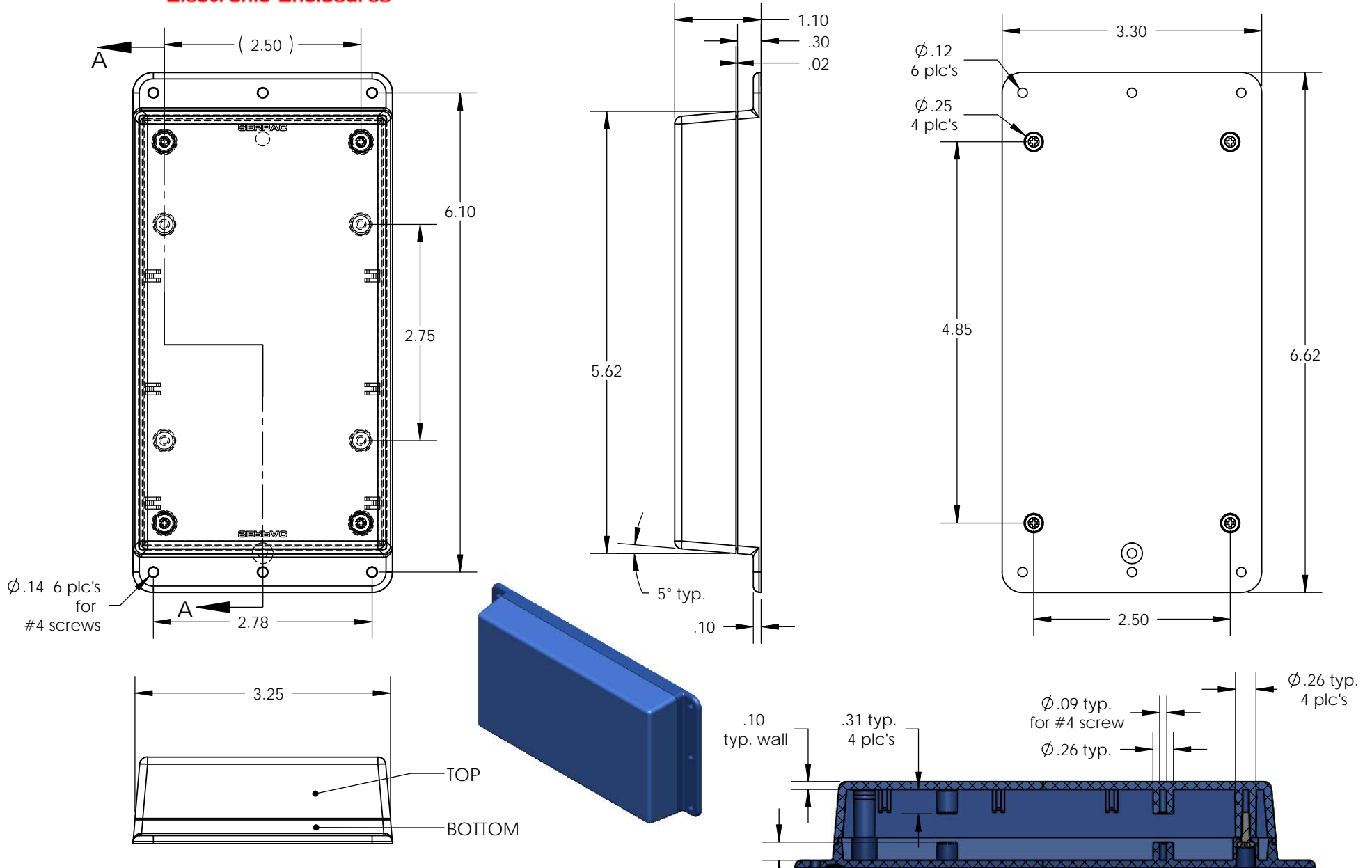
Notes:

- 1) Enclosure meets or exceeds IP40 and NEMA 1
- 2) When used with PS-15 the enclosure meets or exceeds IP 67 and NEMA 4X, 12 and 13 MIL-STD-810G 506.5
- 3) Circuit Board drawings can be download at:  
<http://www.serpac.com/Accessories/CircuitBoard/drawings/350-450-cbg.pdf>
- 4) All components are RoHS Compliant.

**ALL DIMENSIONS ARE ± .010" 6/02/09 (1 of 2)**  
 619 Commercial Ave. Covina, CA 91723  
 Ph. (626) 331-0517 Fx. (626) 331-8584 [serpac.com](http://serpac.com)

# SERPAC WM051 (user print)

Electronic Enclosures



Notes:

- 1) Enclosure meets or exceeds IP40 and NEMA 1
- 2) When used with PS-15 the enclosure meets or exceeds IP 67 and NEMA 4X, 12 and 13 MIL-STD-810G 506.5
- 3) Circuit Board drawings can be download at: <http://www.serpac.com/Accessories/CircuitBoard/drawings/350-450-cbg.pdf>
- 4) All components are RoHS Compliant.

PART NO.	DESCRIPTION (Included)	ACCESSORIES (Optional)	
5-1	TOP	PART NO.	DESCRIPTION
WM05	BOTTOM	50	Non-skid Feet
6005	#4 self tapping screw (4)	PS-15	Perimeter Seal
		350	Prototype grid board
		450	Prototype grid board

SECTION A-A  
SCALE 1 : 1.7

**ALL DIMENSIONS ARE ± .010" 6/02/09 (2 of 2)**  
**619 Commercial Ave. Covina, CA 91723**  
 Ph. (626) 331-0517 Fx. (626) 331-8584 [www.serpac.com](http://www.serpac.com)