

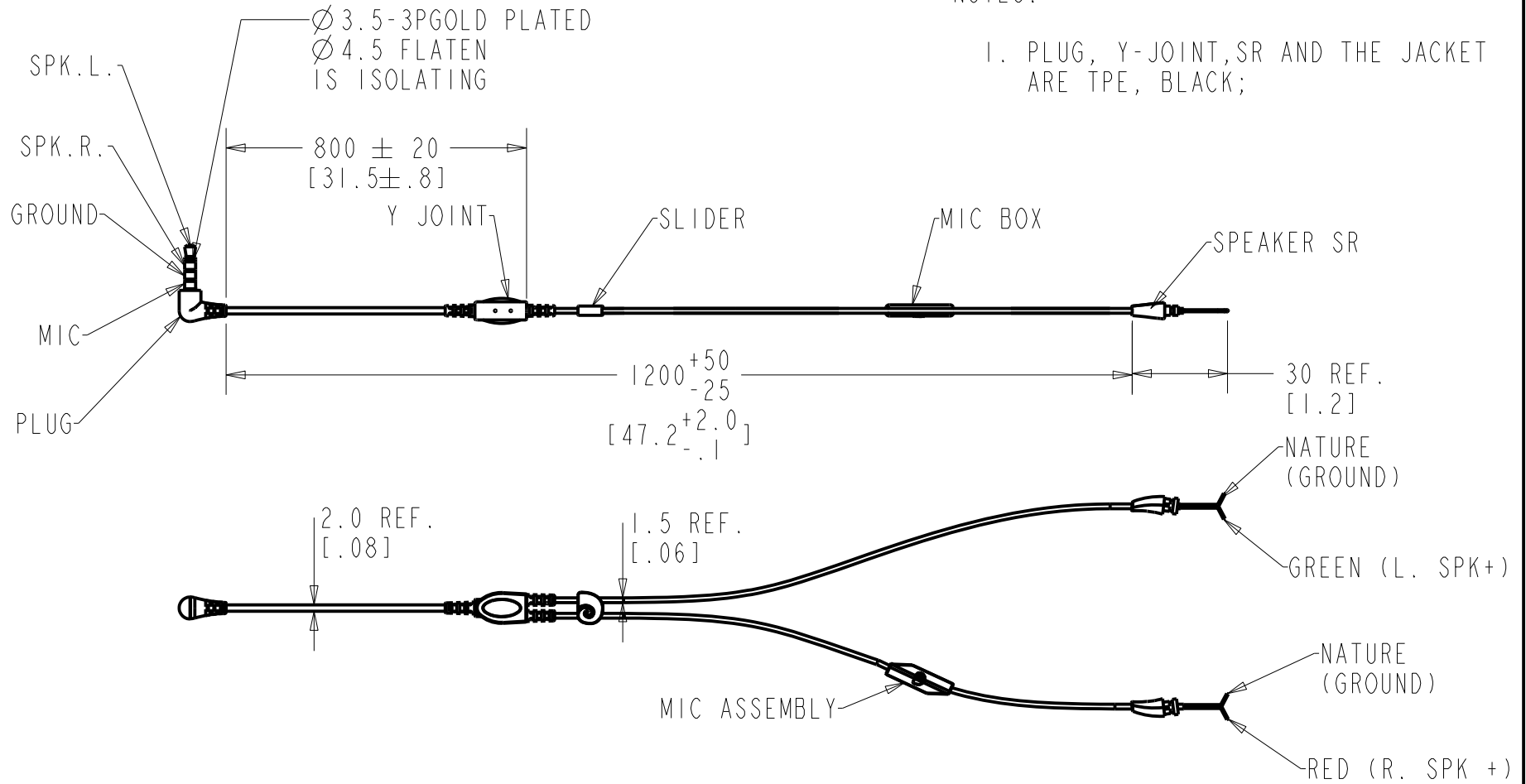
THE INFORMATION CONTAINED IN THIS LITERATURE IS BASED ON OUR EXPERIENCE TO DATE AND IS BELIEVED TO BE RELIABLE AND IT IS SUBJECT TO CHANGE WITHOUT NOTICE. IT IS INTENDED AS A GUIDE FOR USE BY PERSONS HAVING TECHNICAL SKILL AT THEIR OWN DISCRETION AND RISK. WE DO NOT GUARANTEE FAVORABLE RESULTS OR ASSUME ANY LIABILITY IN CONNECTION WITH ITS USE. DIMENSIONS CONTAINED HEREIN ARE FOR REFERENCE PURPOSES ONLY. FOR SPECIFIC DIMENSIONAL REQUIREMENTS CONSULT MANUFACTURER. THIS PUBLICATION IS NOT TO BE TAKEN AS A LICENSE TO OPERATE UNDER, OR RECOMMENDATION TO INFRINGE ANY EXISTING PATENTS. THIS SUPERSEDES AND VOIDS ALL PREVIOUS LITERATURE.

**TC-32349-000**

SHT 1.1

NOTES:

1. PLUG, Y-JOINT, SR AND THE JACKET ARE TPE, BLACK;



Revision	C.O. #	Implementation Date	RELEASE LEVEL	REVISION
			Entering	1

**KNOWLES ACOUSTICS**  
 ITASCA, ILLINOIS U.S.A.

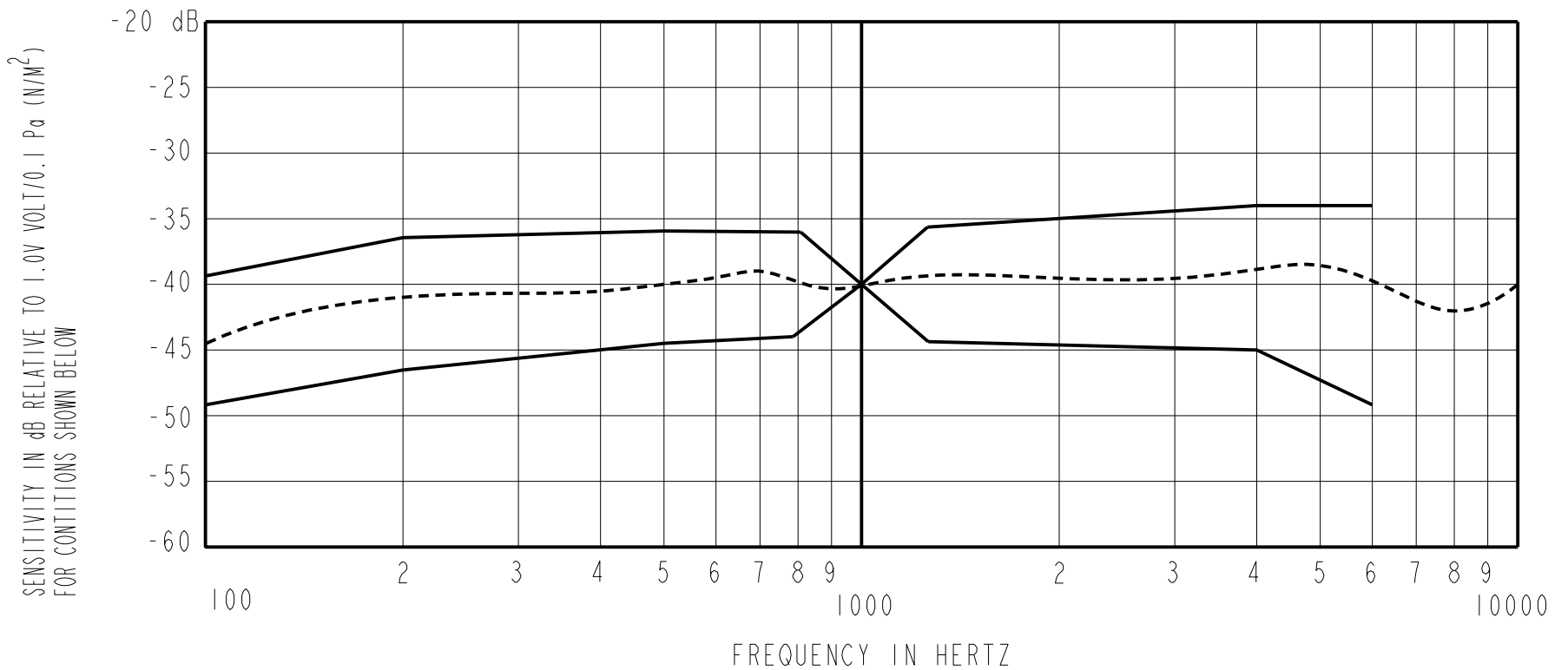
SCALE:	1:2
DO NOT SCALE DRAWING	
TITLE:	CABLE ASSEMBLY
	TC-32349-000
	OUTLINE DRAWING
	SHT 1.1

DR. BY	DATE
LSY	5/26/14
CK. BY	DATE
---	---
APP. BY	DATE
---	---

THE INFORMATION CONTAINED IN THIS LITERATURE IS BASED ON OUR EXPERIENCE TO DATE AND IS BELIEVED TO BE RELIABLE AND IT IS SUBJECT TO CHANGE WITHOUT NOTICE. IT IS INTENDED AS A GUIDE FOR USE BY PERSONS HAVING TECHNICAL SKILL AT THEIR OWN DISCRETION AND RISK. WE DO NOT GUARANTEE FAVORABLE RESULTS OR ASSUME ANY LIABILITY IN CONNECTION WITH ITS USE. DIMENSIONS CONTAINED HEREIN ARE FOR REFERENCE PURPOSES ONLY. FOR SPECIFIC DIMENSIONAL REQUIREMENTS CONSULT MANUFACTURER. THIS PUBLICATION IS NOT TO BE TAKEN AS A LICENSE TO OPERATE UNDER, OR RECOMMENDATION TO INFRINGE ANY EXISTING PATENTS. THIS SUPERSEDES AND VOIDS ALL PREVIOUS LITERATURE.

TC-32349-000

SHEET 2.1



SENSITIVITY

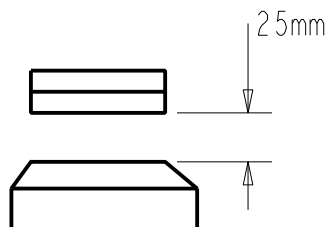
FREQ	MIN	NOR	MAX
100	---	-44.5	---
200	---	-41.5	
800	---	-39	---
1000	-43	-40	-37
1500	---	-39.5	---
5000	---	-38.5	---
6000	---	-41.5	---
10000	---	-40	---

RANGE OF DEVIATION FROM 1KHz

FREQ	DOWN	UP
100	-9.5	0.5
200	-6.5	3.5
800	-4	4
1000	-3	3
1500	-4.5	4.5
4000	-5	6.5
6000	-9	6.5

SENSITIVITY OF FINISHED GOODS. -40 dB RE 1.0V/Pa AT 1KHz

TEST CONTITION:  
 INLINE MIC EXPOSED TO 94dB SPL SWEPT.  
 SOUND FIELD AT 25mm FROM VOICE APERTURE.  
 ARTIFICIAL VOICE: B&K 4227 MOUTH SIMULATOR  
 SOURCE VOLTAGE: 2.0V  
 RESISTANCE: 2.2K ohm  
 CURRENT DRAIN: 0.5 mA MAX.



Revision	C.O. #	Implementation Date	RELEASE LEVEL	REVISION
			Entering	1

**KNOWLES ACOUSTICS**  
**ITASCA, ILLINOIS U.S.A.**

WHEN TEST LIMITS ARE USED TO ESTABLISH INCOMING INSPECTION ACCEPTANCE/REJECTION CRITERIA, CORRELATION OF TEST EQUIPMENT WITH KNOWLES IS ALSO REQUIRED FOR ELIMINATION OF EQUIPMENT AND TEST METHOD VARIATION

DR. BY	DATE
LSY	5/26/14
CK. BY	DATE
---	---
APP. BY	DATE
---	---

TITLE: **CABLE ASSEMBLY** **TC-32349-000**  
 PERFORMANCE SPECIFICATION **SHT 2.1**

TC-32349-000		<b>KNOWLES ACOUSTICS</b>			TC-32349-000	
Sheet 4.1		ITASCA, ILLINOIS U.S.A.			Sheet 4.1	
Dr.	By LSY	Date 5/26/14	Subject: <b>CABLE ASSEMBLY BOX OF 100</b>		Revision <b>1</b>	
Ch.	---	---			Release Level	
App.	---	---			<b>Entering</b>	
COL. 1		2	3		4	
Part or Dwg. no.		Tot. Req.	Nomenclature:		Applicable Specs or Remarks	Item No. Line No.
TC-117		100	4P GENERAL CABLE ASSEMBLY,			1 1

--	--	--	--	--	--	--

REVISION						TC-32349-000 Sheet 4.1	
	<p style="font-size: small;">PROPRIETARY NOTE: THIS DOCUMENT CONTAINS INFORMATION WHICH IS THE PROPRIETARY PROPERTY OF KNOWLES ELECTRONICS, LLC. OR ITS AFFILIATED ENTITIES. IT IS ISSUED IN STRICT CONFIDENCE AND SHALL NOT BE REPRODUCED, COPIED, USED, OR DISCLOSED TO ANY THIRD PARTY PARTIALLY OR WHOLLY IN ANY MANNER WITHOUT PRIOR WRITTEN PERMISSION OF, AND MUST BE RETURNED UPON REQUEST BY, KNOWLES ELECTRONICS, LLC.</p>						

MKT-EDUC-PRINT-IND-FRM REV: D