

REV.	DATE	DESCRIPTION	REPORT BY	CHECKED BY	APPROVED BY
<p>SPECIFICATION REVISION HISTORY</p>			<p>CUSTOMER : STANDARD PRODUCT CUSTOMER P/N : PART NAME : SOLENOID PUMP DELTA PART NO. : DSP-12050</p>		
00	10/13/2015	- ISSUE			
01	02/13/2017	THE WORKING CYCLE FROM 1 min. ON/ 30 sec. OFF CHANGE TO 30 sec. ON/ 15 sec. OFF			



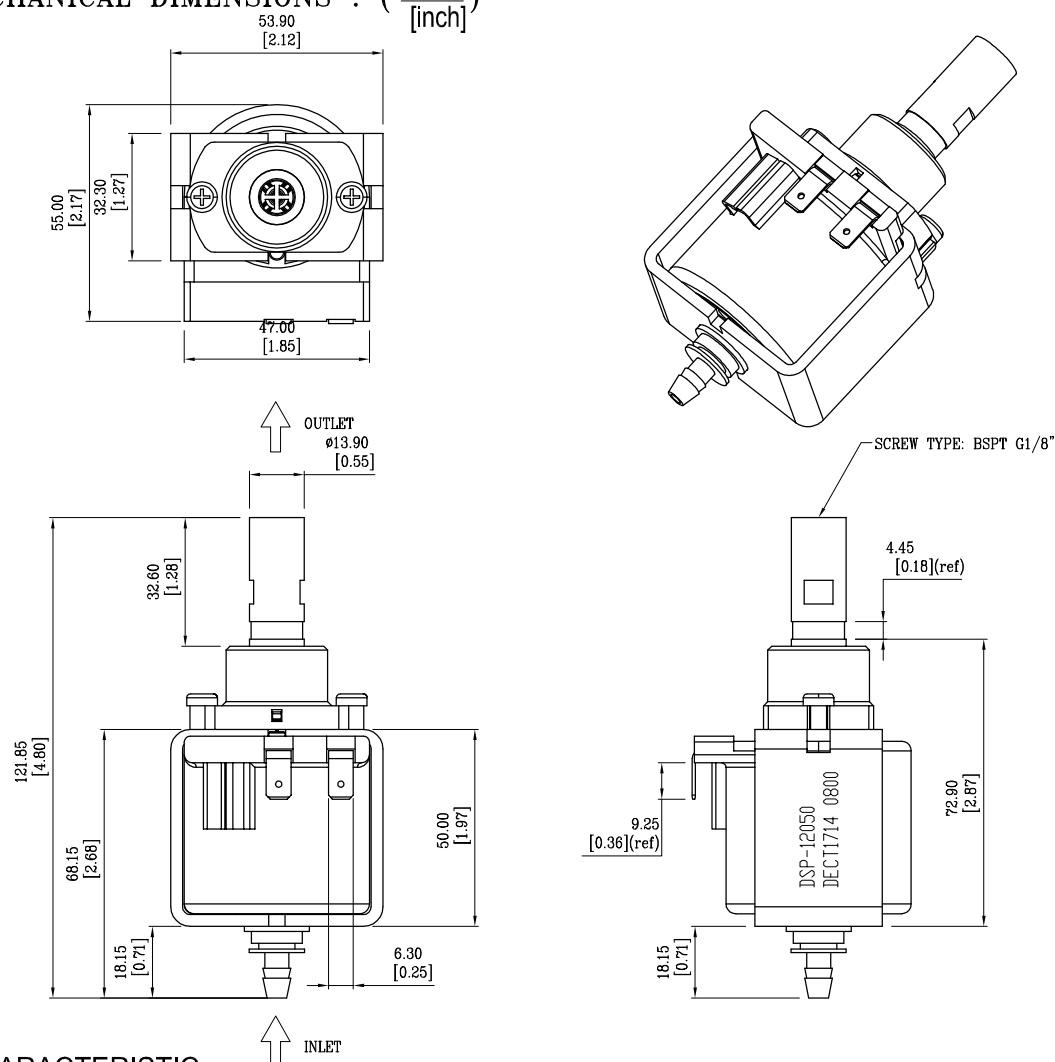
RoHS Compliant

SPECIFICATION FOR APPROVAL

TO : _____

PAGE : 2/4

CUSTOMER PART NO	REV. 00	DELTA PART NO. DSP-12050	ISSUE DATE Feb.13,2017	TEMP(°C) 25
PART NAME Solenoid Pump		DELTA REV. 01	USED ON	HUM (%) 58 RH

1. MECHANICAL DIMENSIONS : ($\frac{\text{mm}}{\text{[inch]}}$)

2. CHARACTERISTIC :

- 2-1. OPERATING VOLTAGE: 110Vac / 60Hz
- 2-2. POWER CONSUMPTION: 48W
- 2-3. OUTLET : BSPT G1/8"
- 2-4. FLOW RATE MAX : 500 c.c./min
- 2-5. FLOW RATE TOLERANCE : ±15%
- 2-6. PRESSURE MAX : 175 psi (12 bar)
- 2-7. WATER TEMPERATURE : 20 °C
- 2-8. WORKING CYCLE : 30 sec ON / 15 sec OFF
- 2-9. INTEGRATED DIODE
- 2-10. TEMPERATURE CLASS : F (155°C)
- 2-11. MAX. ON TIME : 11 min



RoHS Compliant

SPECIFICATION FOR APPROVAL

TO :__

PAGE : 3/4

CUSTOMER PART NO	REV. 00	DELTA PART NO. DSP-12050	ISSUE DATE Feb.13,2017	TEMP(°C) 25
PART NAME Solenoid Pump		DELTA REV. 01	USED ON	HUM (%) 58 RH

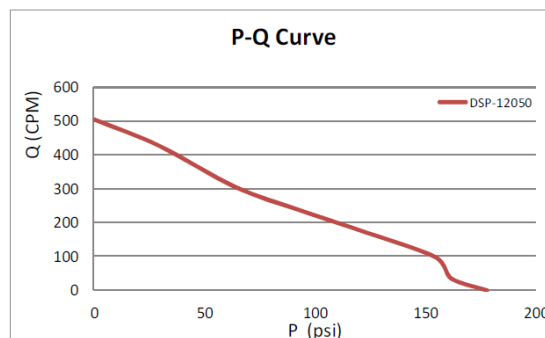
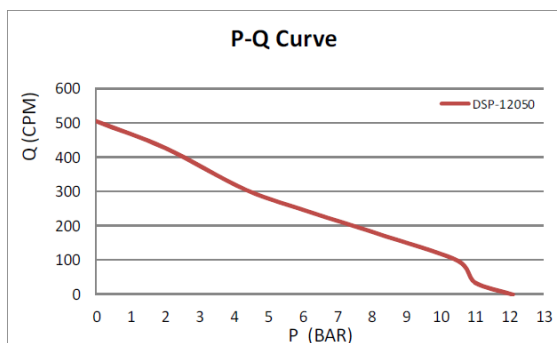
2. PRODUCT S/N :

DSP-12050
DECT1714 0800

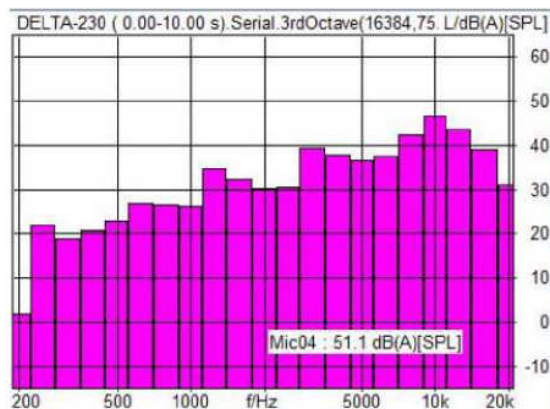
NOTES:

"DSP-12050" IS DELTA P/N
 "DECT" IS DELTA Chachoengsao plant
 "1714": 17 IS YEAR ; 14 IS WEEK
 "0800" : 08 IS SHIP DATE ; 00 IS PRODUCTION LINE OF NO.

3. P-Q CURVE :



4. NOISE TEST : 51.1 dBA (at p=0 Bar/ 100cm)





RoHS Compliant

SPECIFICATION FOR APPROVAL

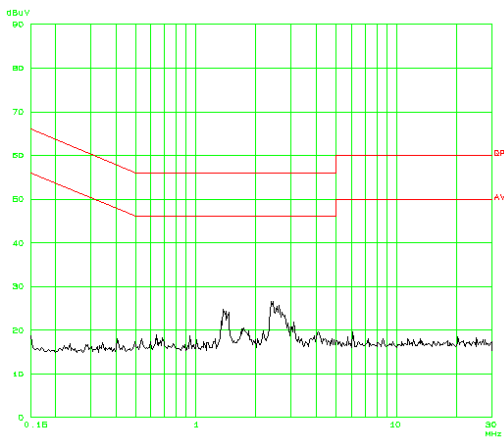
TO : _

PAGE : 4/4

CUSTOMER PART NO	REV. 00	DELTA PART NO. DSP-12050	ISSUE DATE Feb.13,2017	TEMP(°C) 25
PART NAME Solenoid Pump		DELTA REV. 01	USED ON	HUM (%) 58 RH

5. EMC TEST :

3-1. BACKGROUND



3-2. STANDBY



1.43125 MHz QP 49.7dB AV 43dB

3-3. OPERATION



1.4 MHz QP 49dB AV 42.5dB