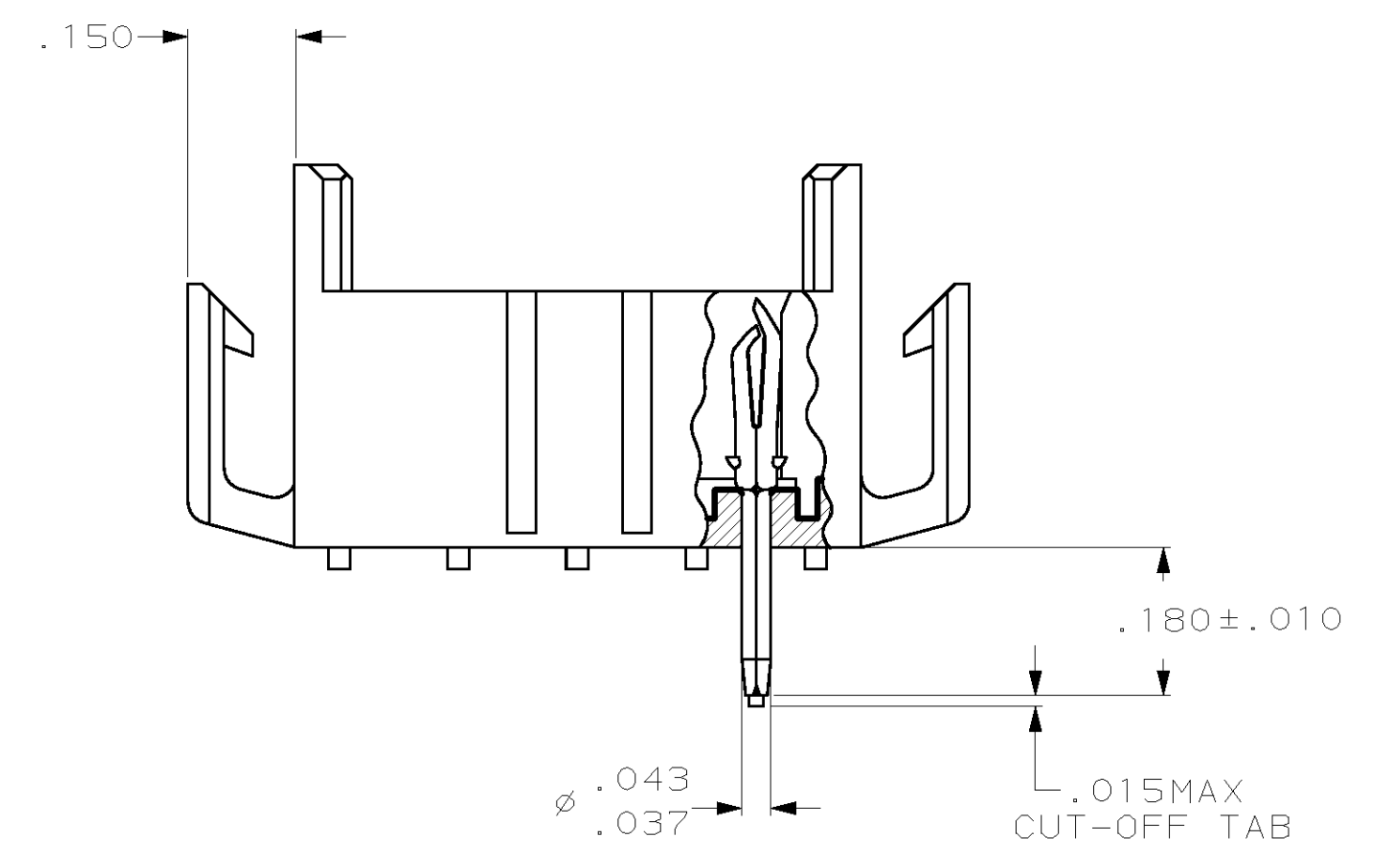
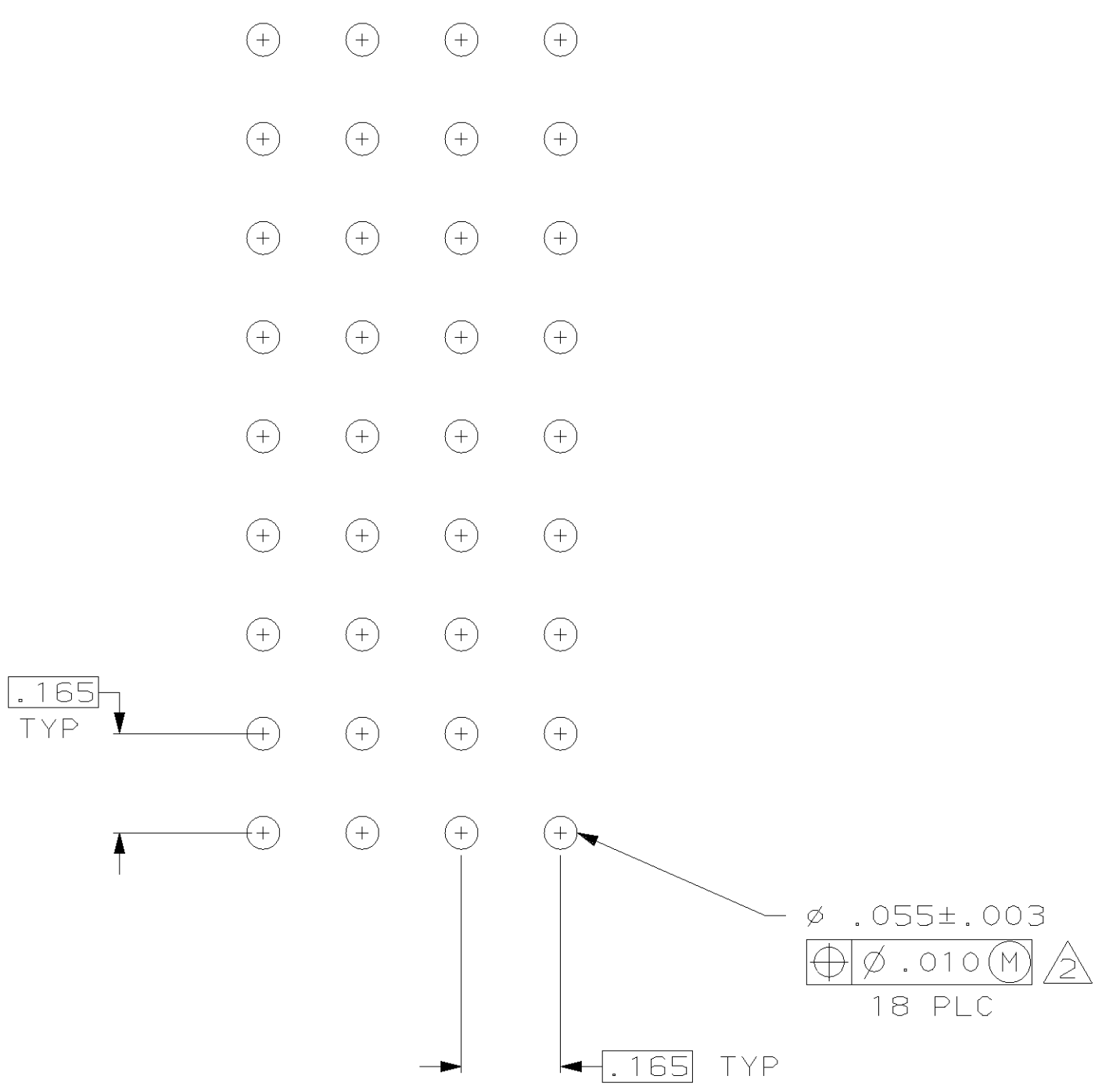
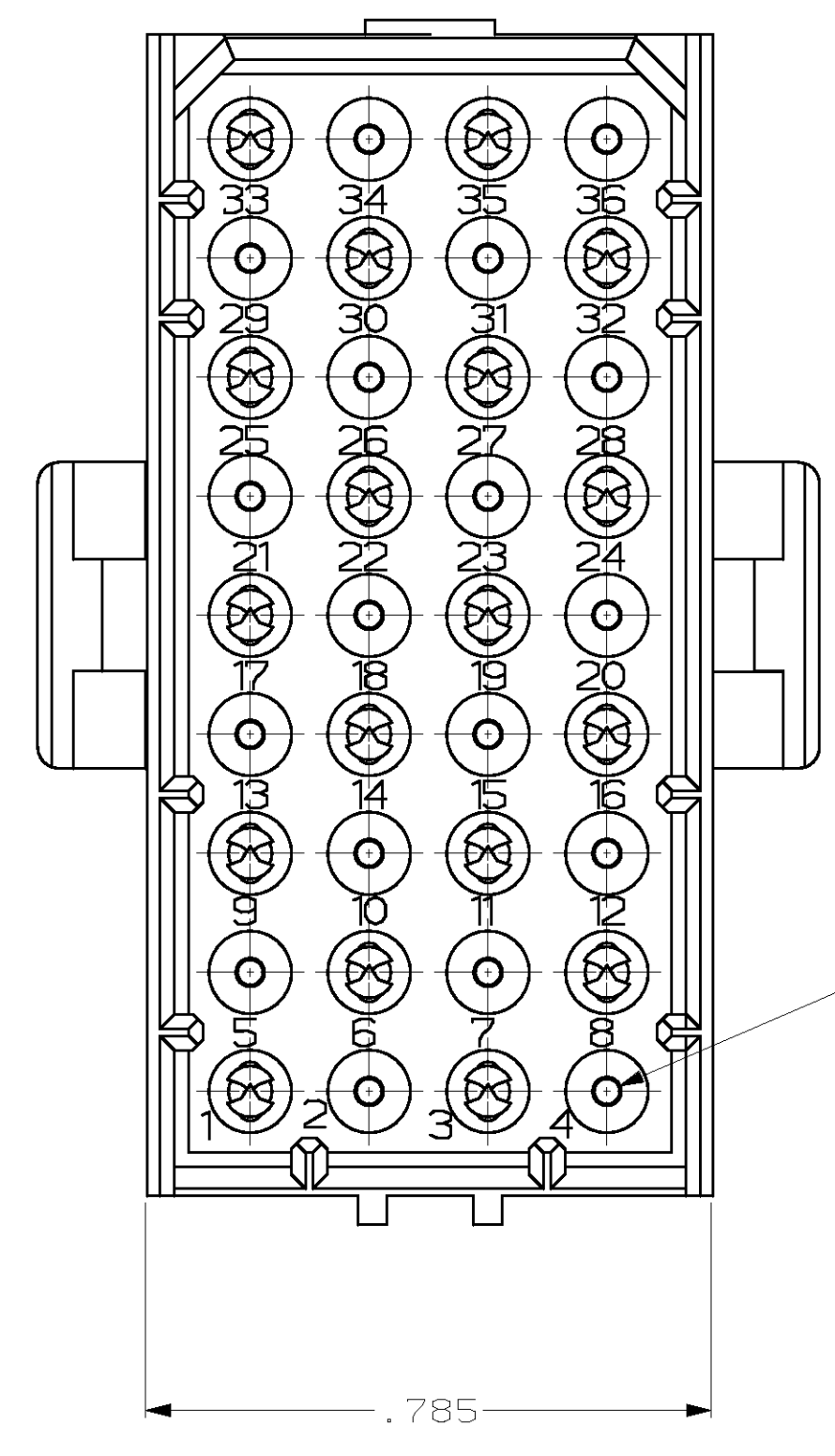
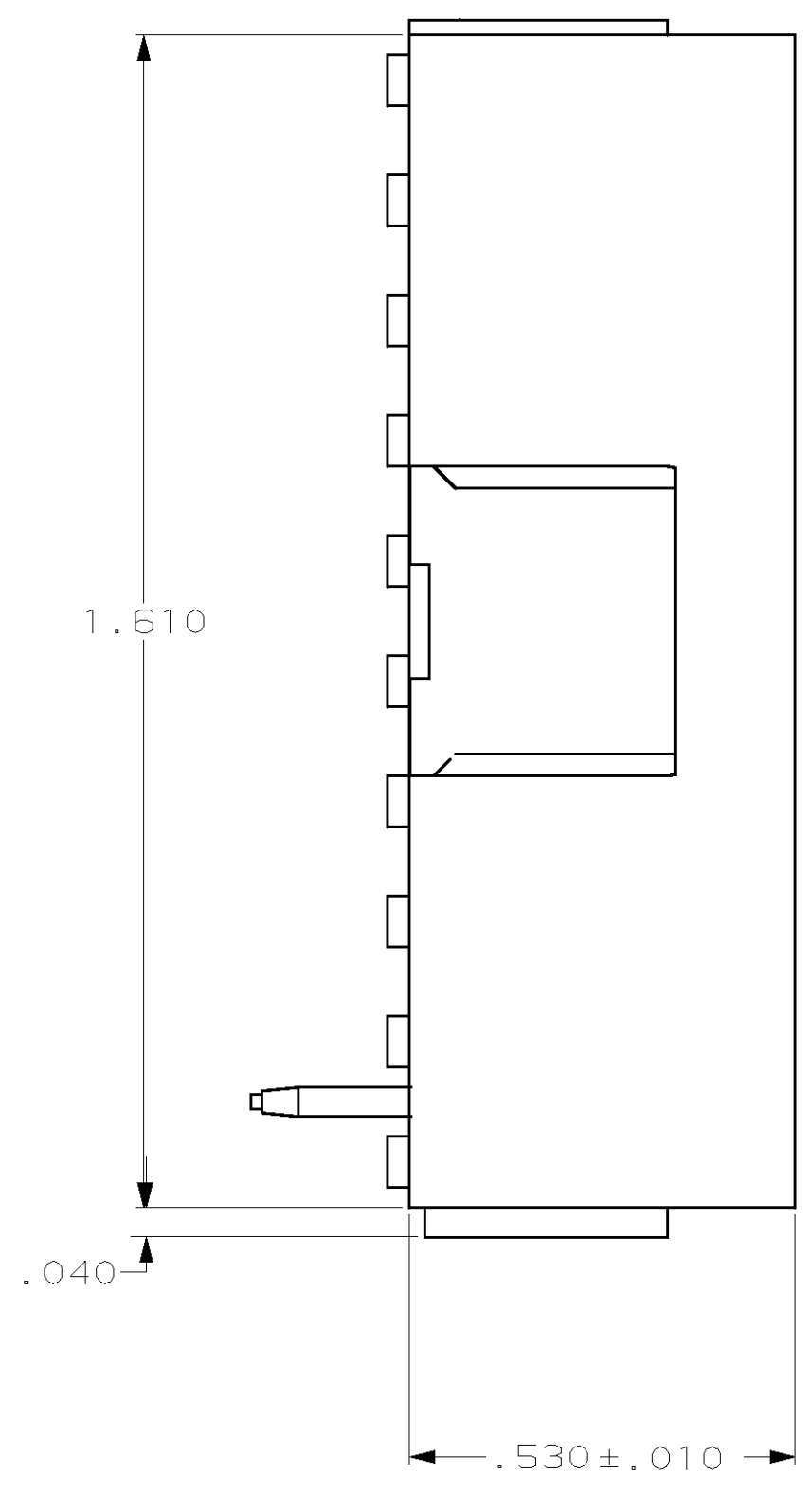
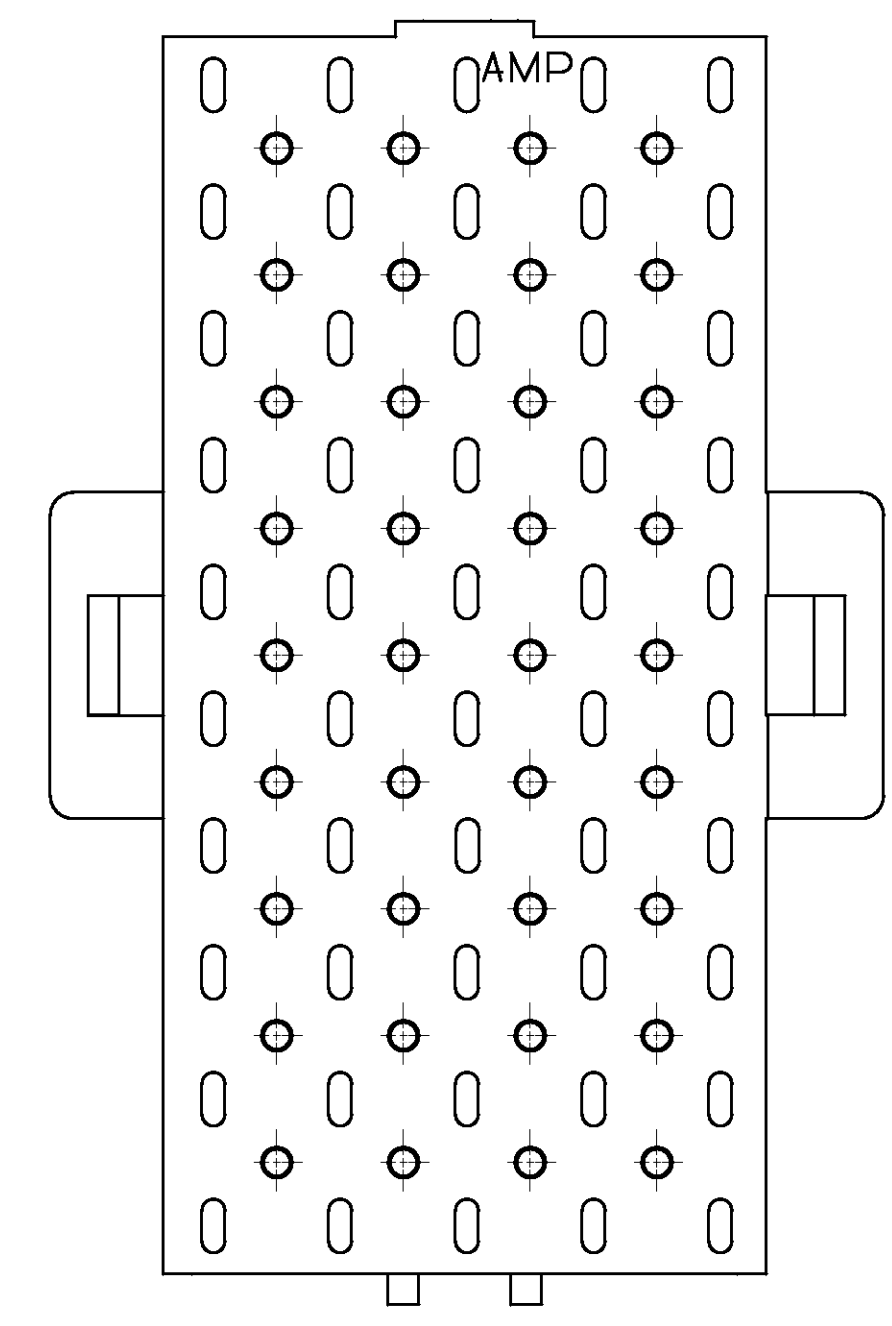
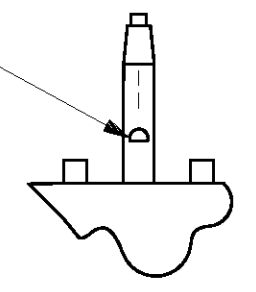


LOC	QTY	REV	DATE	BY	APPV
CM	52	G	5-14-98	JH	RS

- REVISIONS
- | REV | DESCRIPTION                     | DATE    | BY | APPV |
|-----|---------------------------------|---------|----|------|
| G   | REV & REDWN PER EC 0730-0011-95 | 5-14-98 | JH | RS   |
1. FITS SOCKET HOUSING 350356.
  2. ASSEMBLY CONFORMS TO AMP SOLDERABILITY SPEC. 109-11-3.
  3. PINS 2,4,5,7,10,12,13,15,18,20,21,23, 26,28,29,31,34, & 36 ARE OMITTED.

ANTI SOLDER WICKING TAB



IN	MM	IN	MM	IN	MM
.037	0.94	.165	4.19	-	-
.015	0.38	.150	3.81	1.610	40.89
.010	0.25	.055	1.40	.785	19.94
.005	0.13	.043	1.09	.530	13.46
.003	0.08	.040	1.02	.180	4.57

CONVERSION TABLE

**METRIC**

THIS DRAWING IS A CONTROLLED DOCUMENT.

OWN: J. HUFFMAN	4-28-98	<b>AMP</b> AMP Incorporated Harrisburg, PA 17105-3608
CHK: R. SWING	4-28-98	
APVD: T. REDDICK	4-28-98	NAME: HEADER ASSEMBLY, PIN, 36 POSITION, SPECIAL, MR
DIMENSIONS: INCHES	TOLERANCES UNLESS OTHERWISE SPECIFIED:	SIZE: A1
1. PLC ±.005	2. PLC ±.005	SCALE: 4:1
3. PLC ±.005	4. PLC ±.005	SHEET 1 OF 1
FINISH: SEE TABLE	HEIGHT: -	REV: G

CUSTOMER DRAWING