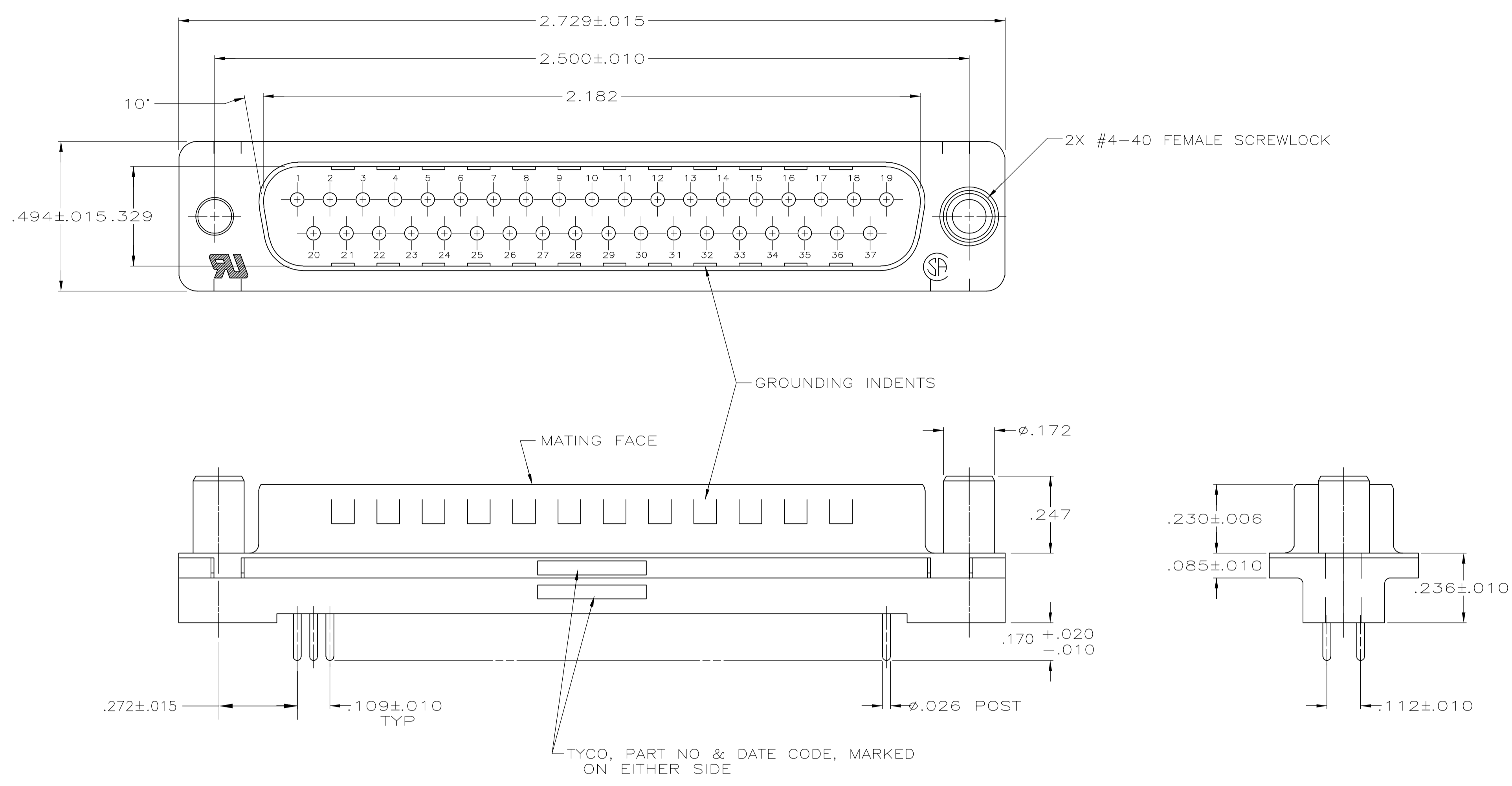
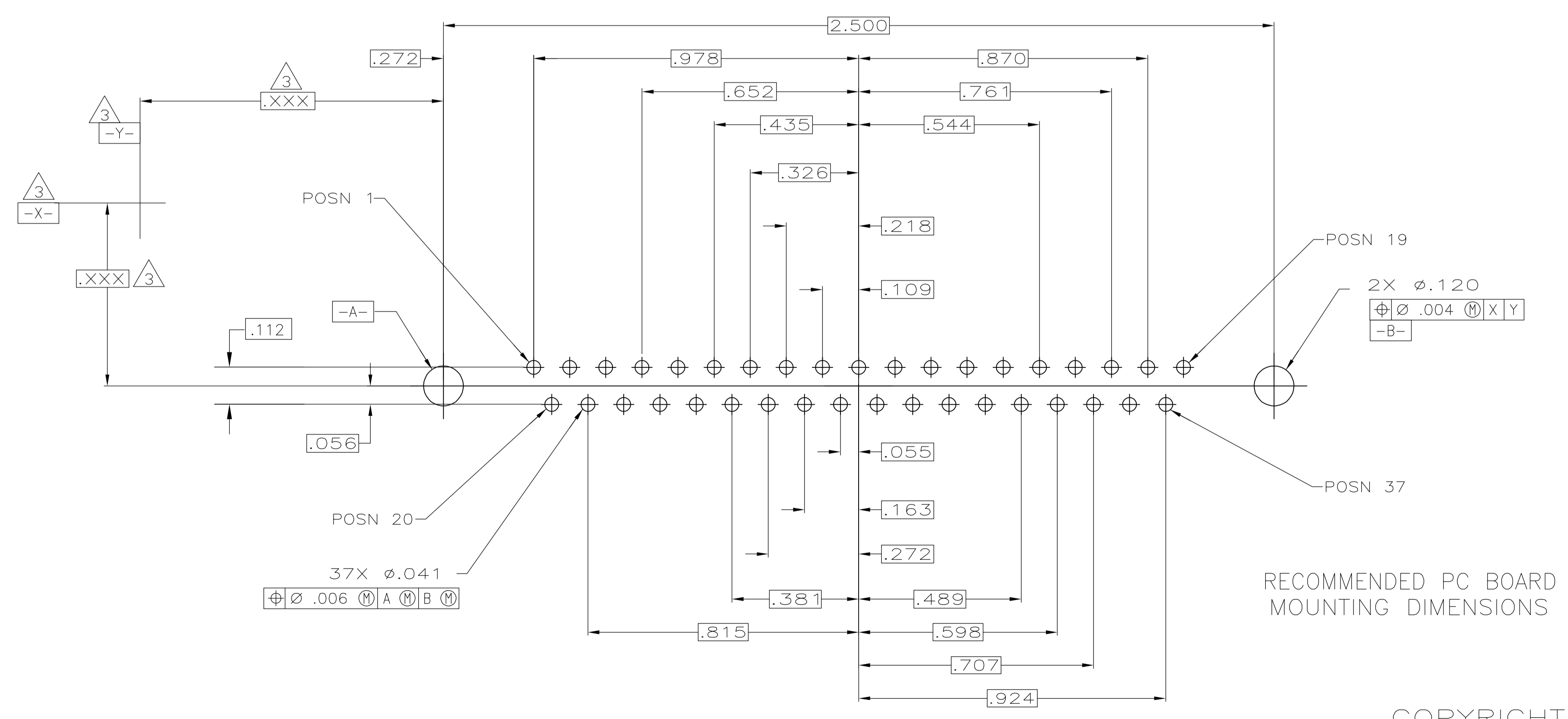


LOC		DIST		REVISIONS			
GP	00	REV	DATE	BY	APP'D		
B			3/JAN/07	ZMREDB			



- 1 HOUSING: FLAME RETARDANT, 94V-0 RATED, THERMOPLASTIC; COLOR: BLACK
 SHELL: CARBON STEEL
 CONTACTS: BRASS
 SCREWLOCKS: ZINC
- 2 SHELL: .000200 MIN TIN OVER .000100 MIN COPPER
 SCREWLOCKS: UNPLATED
 CONTACTS: GOLD PLATED FOR A LENGTH OF .150 MIN FROM MATING END,
 .000030 MIN GOLD IN MATED AREA, .000100 MIN TIN ON TERMINATION END, ALL
 OVER .000050 MIN NICKEL ON ENTIRE CONTACT.
 -OR-
 GOLD FLASH OVER PALLADIUM NICKEL PLATED FOR A LENGTH OF .150 MIN FROM
 MATING END, .000030 MIN PALLADIUM NICKEL IN MATED AREA, .000100 MIN TIN
 ON TERMINATION END, ALL OVER .000050 MIN NICKEL ON ENTIRE CONTACT.
- 3 DATUMS AND BASIC DIMENSIONS ESTABLISHED BY CUSTOMER.



RECOMMENDED PC BOARD MOUNTING DIMENSIONS

COPYRIGHT 2005
 TYCO ELECTRONICS CORP
 ALL RIGHTS RESERVED

2-5747705-1
 PART NO

THIS DRAWING IS A CONTROLLED DOCUMENT.		DWG B. LATTUCA	27SEPT05		Tyco Electronics Corporation Harrisburg, PA 17105-3608				
DIMENSIONS: INCHES		CHK S. BOLASH	27SEPT05		APPROV M. WALMSLEY	27SEPT05	NAME PLUG ASSEMBLY, SIZE 4, 37 POS., VERTICAL, .026 DIA. POSTS, SCREWLOCKS, FRONT SHELL, AMPLIMITE HD-20		
TOLERANCES UNLESS OTHERWISE SPECIFIED:		0 PLC ± -		PRODUCT SPEC 108-40025		SIZE A1	CASE CODE 00779	DRAWING NO 5747705	RESTRICTED TO -
		1 PLC ± -		APPLICATION SPEC 114-40023					
		2 PLC ± -		WEIGHT		SCALE		SHEET	
		3 PLC ± .005		CUSTOMER DRAWING		4:1		1 OF 1	
		4 PLC ± -							
		ANGLES ± ± -							
MATERIAL		FINISH							
1		2							