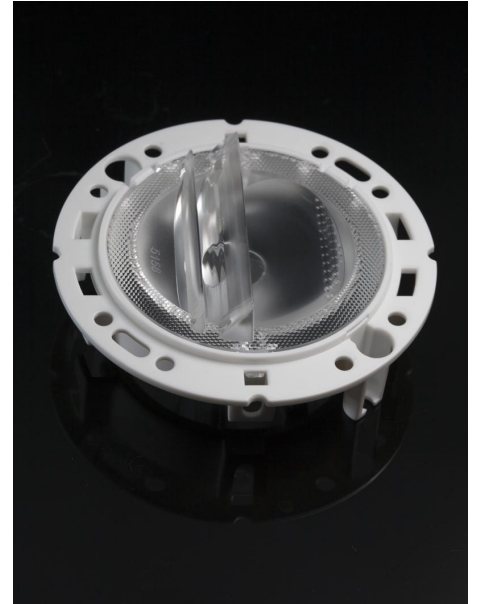


DETAILS

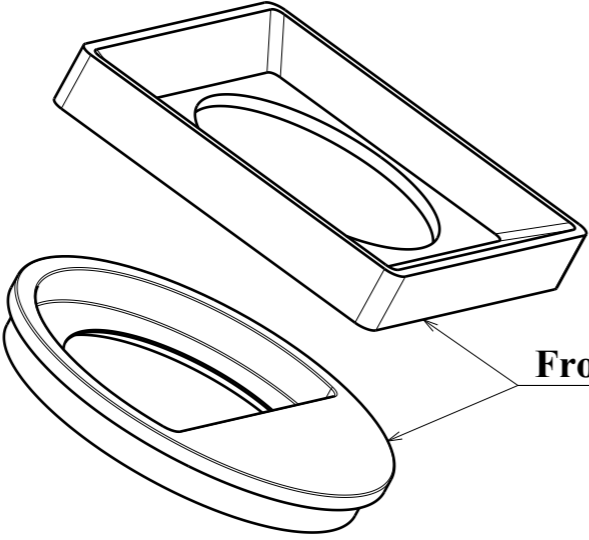
Product Number	FN15731_RONDA-WAS-B
Family	Ronda
Type	Assembly
Color	white
Diameter	69,9 mm
Height	22,3 mm
Style	round
Optic Material	PMMA
Holder Material	
Fastening	socket
Status	sample approved
ROHS Compliant	Yes
Date Updated	12/04/2017



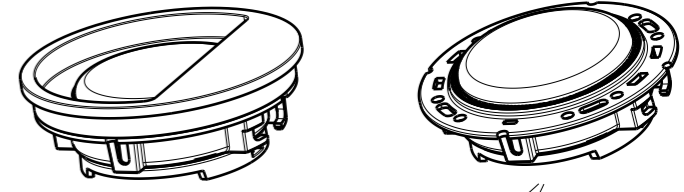
OPTICAL PROPERTIES

LED	Viewing	Light	Efficiency	cd/lm	Connector
	Angle	Beam			
V13 Gen7	Asymmetric deg	Asymmetric	89 %	0.640	BJB: 47.319.2021
H12	sim: Asymmetric	Asymmetric	sim: 81 %	sim: 0.700	BJB: 47.319.2131
V10 Gen7	sim: Asymmetric	Asymmetric	sim: 84 %	sim: 0.830	IDEAL: 50-2002CT
CLL02x/CLU02x (LES10)	sim: Asymmetric	Asymmetric	sim: 86 %	sim: 1.000	IDEAL: 50-2002CT
CXA/B 1816 & CXA/B 1820 & CXA 1850	sim: Asymmetric	Asymmetric	sim: 86 %	sim: 0.900	BJB: 47.319.2131
CXA/B 1816 & CXA/B 1820 & CXA 1850	sim: Asymmetric	Asymmetric	sim: 86 %	sim: 0.900	IDEAL: 50-3001CR
CXA/B 15xx	sim: Asymmetric	Asymmetric	sim: 86 %	sim: 1.100	IDEAL: 50-2001CR
Soleriq S13	sim: Asymmetric	Asymmetric	sim: 82 %	sim: 0.750	A.A.G. STUCCHI: 8502/G2
Soleriq S13	sim: Asymmetric	Asymmetric	sim: 82 %	sim: 0.750	BJB: 47.319.6111
Soleriq S9	sim: Asymmetric	Asymmetric	sim: 86 %	sim: 0.900	IDEAL: 50-2002CT
Soleriq S13 Gen2	sim: Asymmetric	Asymmetric	sim: 83 %	sim: 0.750	BJB: 47.319.2021
Mini Zenigata (GW6BM)	sim: Asymmetric	Asymmetric	sim: 85 %	sim: 1.100	IDEAL: 50-2000P
SLE G6 LES15 H D50	sim: asym	Asymmetric	sim: 87 %	sim: 0.750	-

H G F E D C B A

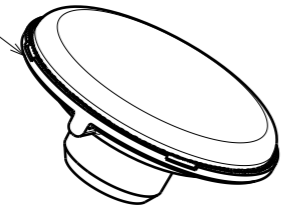


Front plate examples

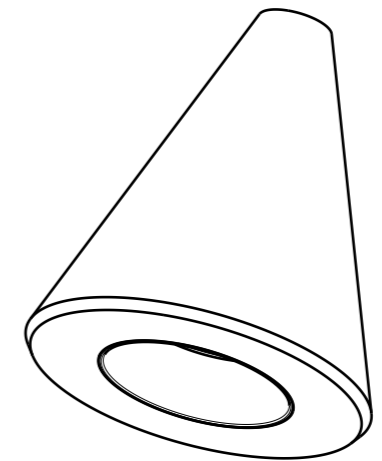


Examples

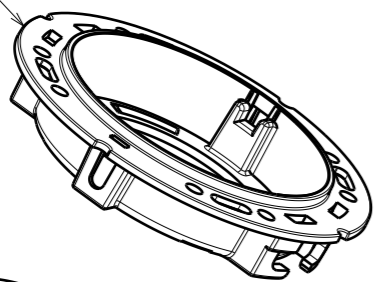
D=49.9



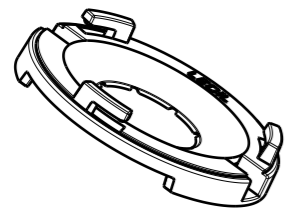
Optic



D=69.9mm

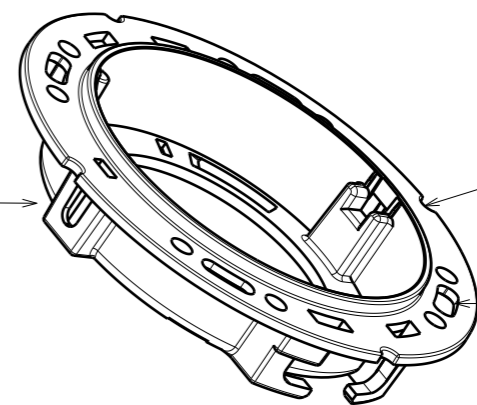


- Holder A**
- Bender-wirth model 4xx Typ L1
 - TE 22xxxxx-2 + 2213194-1
 - Ledil-clamp
 - Other twist and lock



- Holder B**
- BJB 47.319.2xxx 50mm
 - A.A.G. Stucchi 8xxx/G2 50mm
 - Ideal chip lok jr 50-20 & 50-30

Horizontal fix: M3 Nut + bolt



Rotation fix

**Vertical fix: M3 Screw /
Twist and lock / Snap**



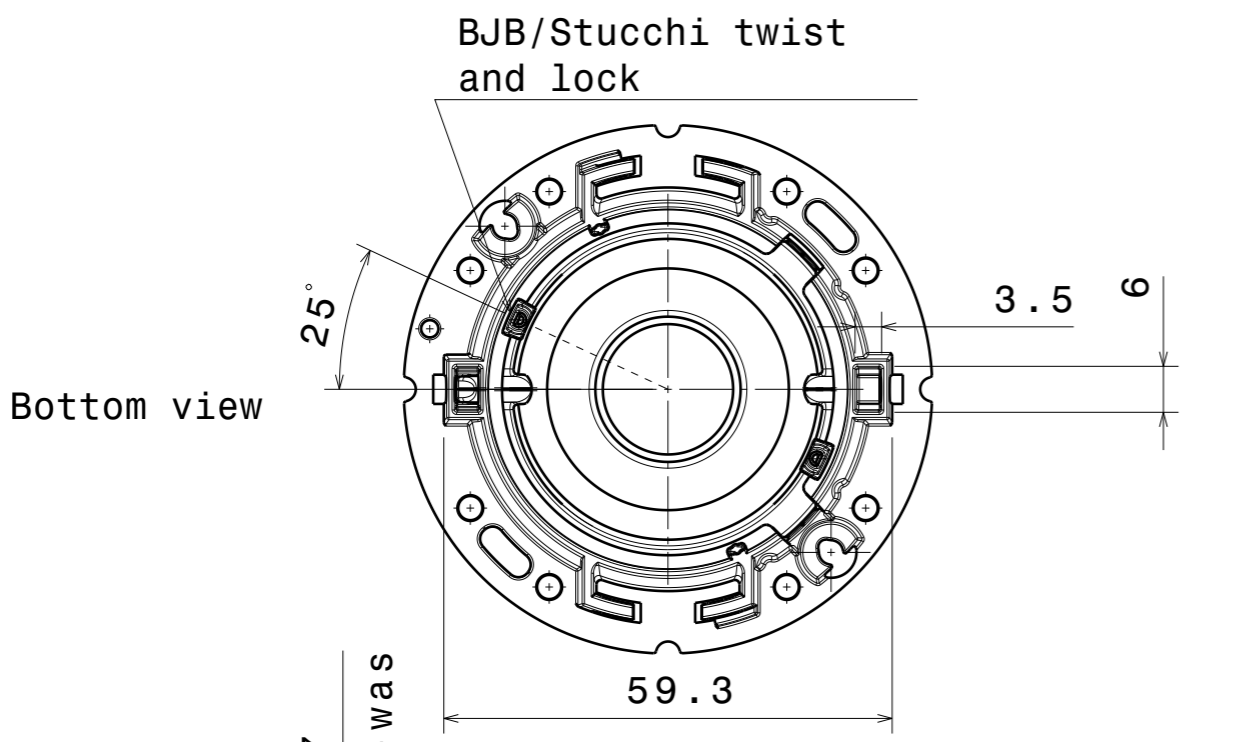
**LES size up to ~14mm, see
compatibility www.ledil.com**

See more details on page 2 and 3

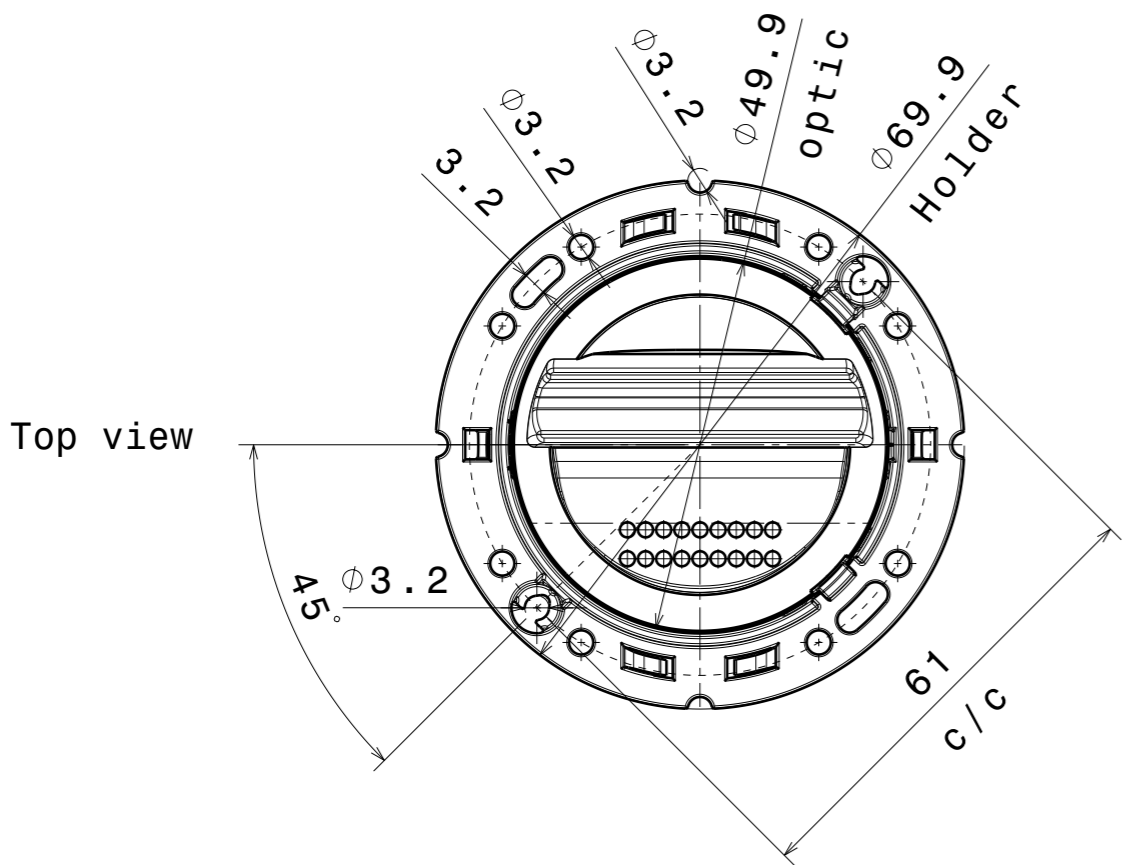
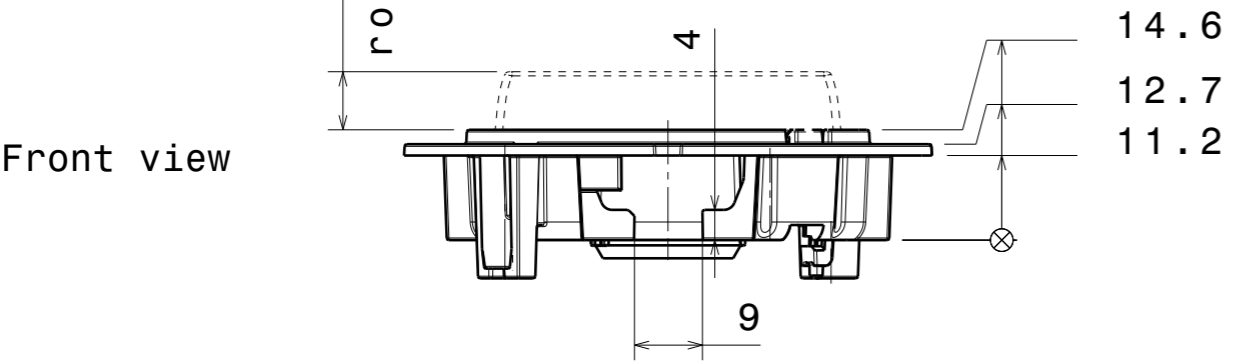
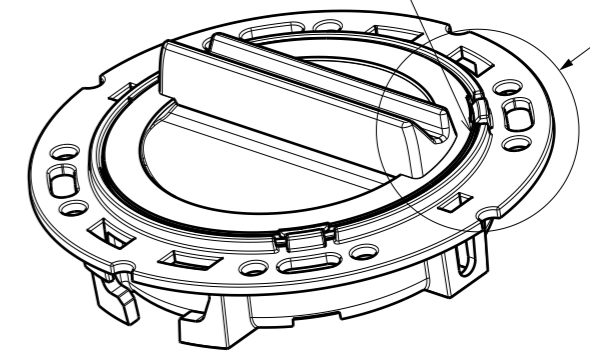
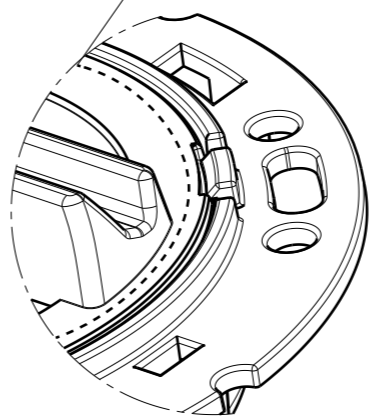
Tolerances if not otherwise shown According to DIN ISO 2768-1 Linear measures: up to 30mm class M, otherwise class C According to DIN ISO 2768-2 Form and position: class L		LEDiL Ledil Oy Salorankatu 10 FIN 24240 SALO Finland	
THIRD ANGLE PROJECTION:		DRAWING TITLE RONDA-B family	
This drawing is the property of LEDiL Oy. It may not be reproduced, copied or communicated without a written agreement with LEDiL Oy.		SIZE A3	PART NUMBER -
		SCALE 1:1	WEIGHT -
		SHEET 1/3	

H G B A

H G F E D C B A



Front panel location suggestion when seamless look needed



Tolerances if not otherwise shown
 According to DIN ISO 2768-1
 Linear measures:
 up to 30mm class M, otherwise class C
 According to DIN ISO 2768-2
 Form and position: class L

LEDiL LediL Oy
 Salorankatu 10
 FIN 24240 SALO
 Finland

THIRD ANGLE PROJECTION:

DRAWING TITLE
RONDA-B family

This drawing is the property of LEDiL Oy. It may not be reproduced, copied or communicated without a written agreement with LEDiL Oy.

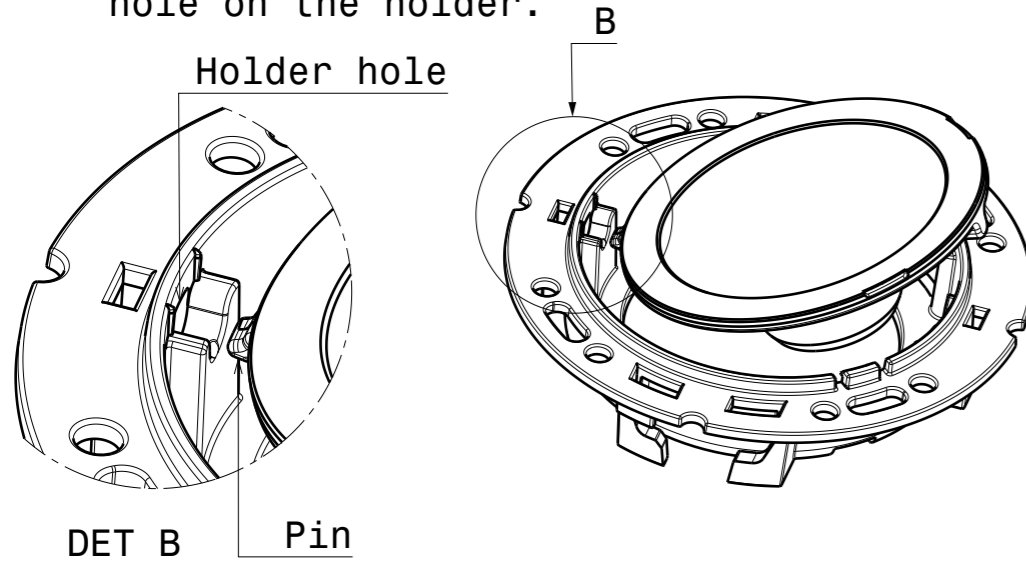
SIZE PART NUMBER
A3 -

SCALE 1:1 WEIGHT - SHEET 2/3

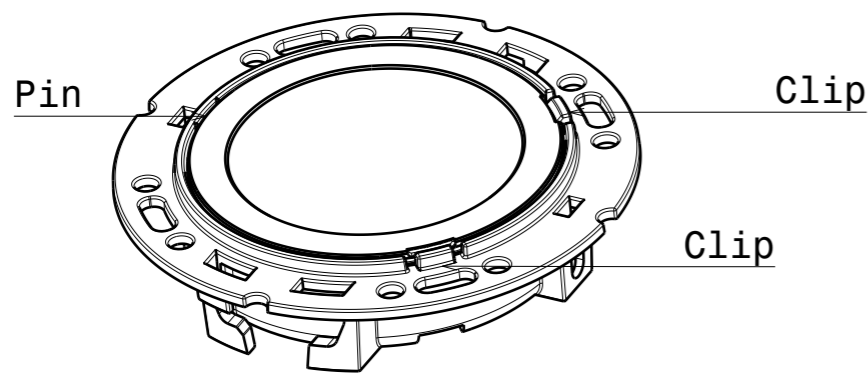
H G F E D C B A

OPTIC/HOLDER ASSEMBLY

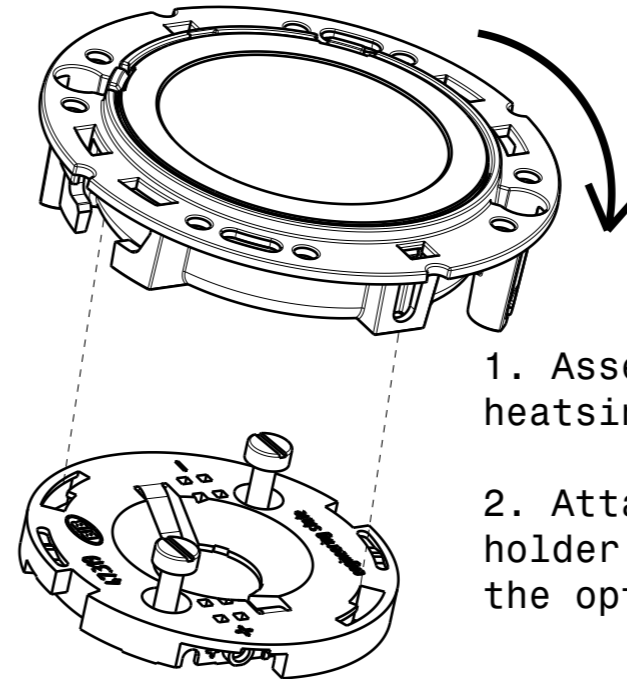
1. Place pin on the side of the lens into relative hole on the holder.



2. Press the lens under clips on the holder, ensuring both clips are fixed.



TYPICAL CONNECTOR ASSEMBLY (including solderless BJB 47.319.2xxx 50mm as example)



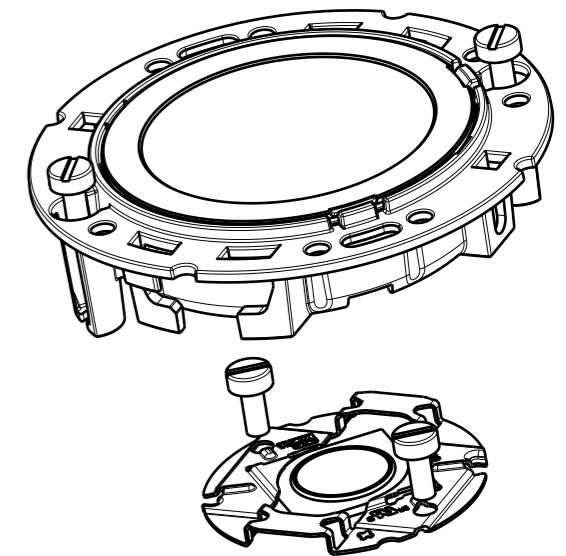
1. Assemble LED and BJB connector on heatsink with M3 screw.

2. Attach optic by aligning hooks in the holder with connector holes and turning the optic holder clockwise until it locks.

TYPICAL CONNECTOR ASSEMBLY (including solderless IDEAL chip lok jr 50-20 as example)

1. Assemble LED and IDEAL connector on heatsink with M3 screw.

2. Attach optic by aligning the screw towers in the holder with relative holes in heatsink. Optionally use 2 position pins in the holder bottom as focus element.



Tolerances if not otherwise shown
According to DIN ISO 2768-1
Linear measures:
up to 30mm class M, otherwise class C
According to DIN ISO 2768-2
Form and position: class L



Ledil Oy
Salorankatu 10
FIN 24240 SALO
Finland

THIRD ANGLE PROJECTION:

DRAWING TITLE

RONDA-B family

This drawing is the property of LEDiL Oy. It may not be reproduced, copied or communicated without a written agreement with LEDiL Oy.

SIZE PART NUMBER

A3

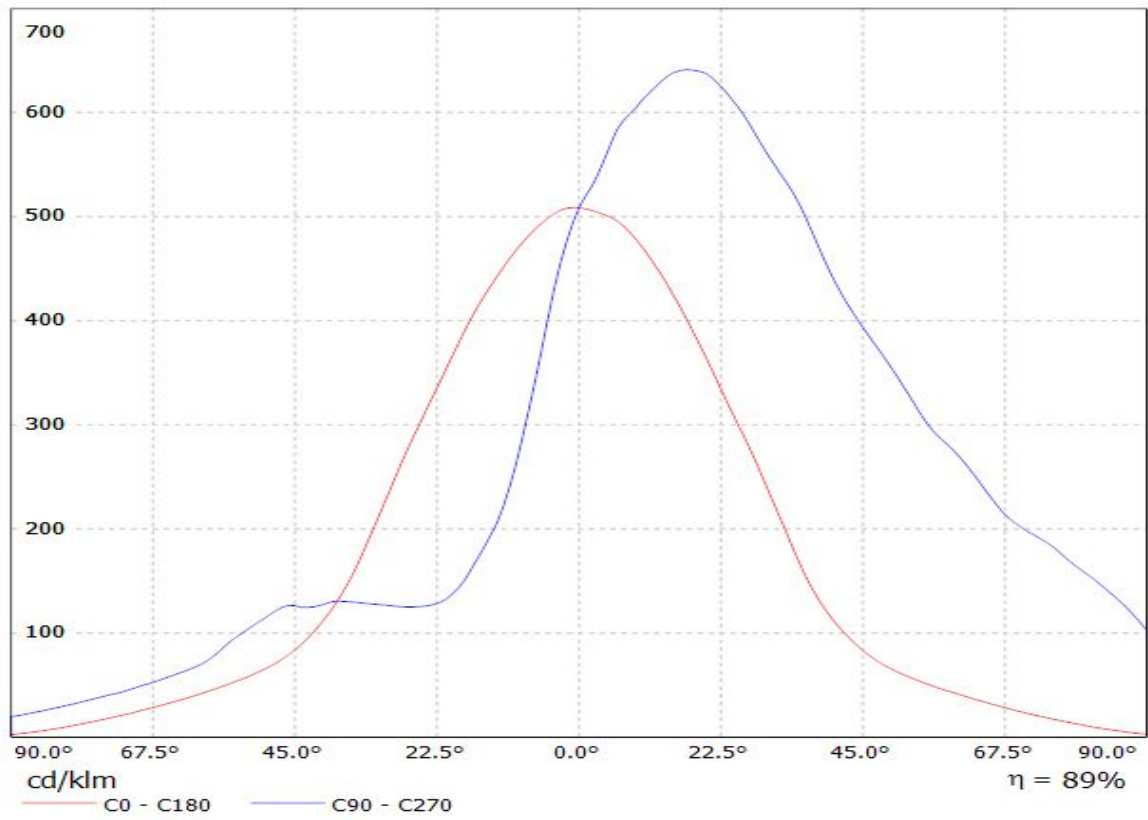
SCALE 1:1 WEIGHT

-

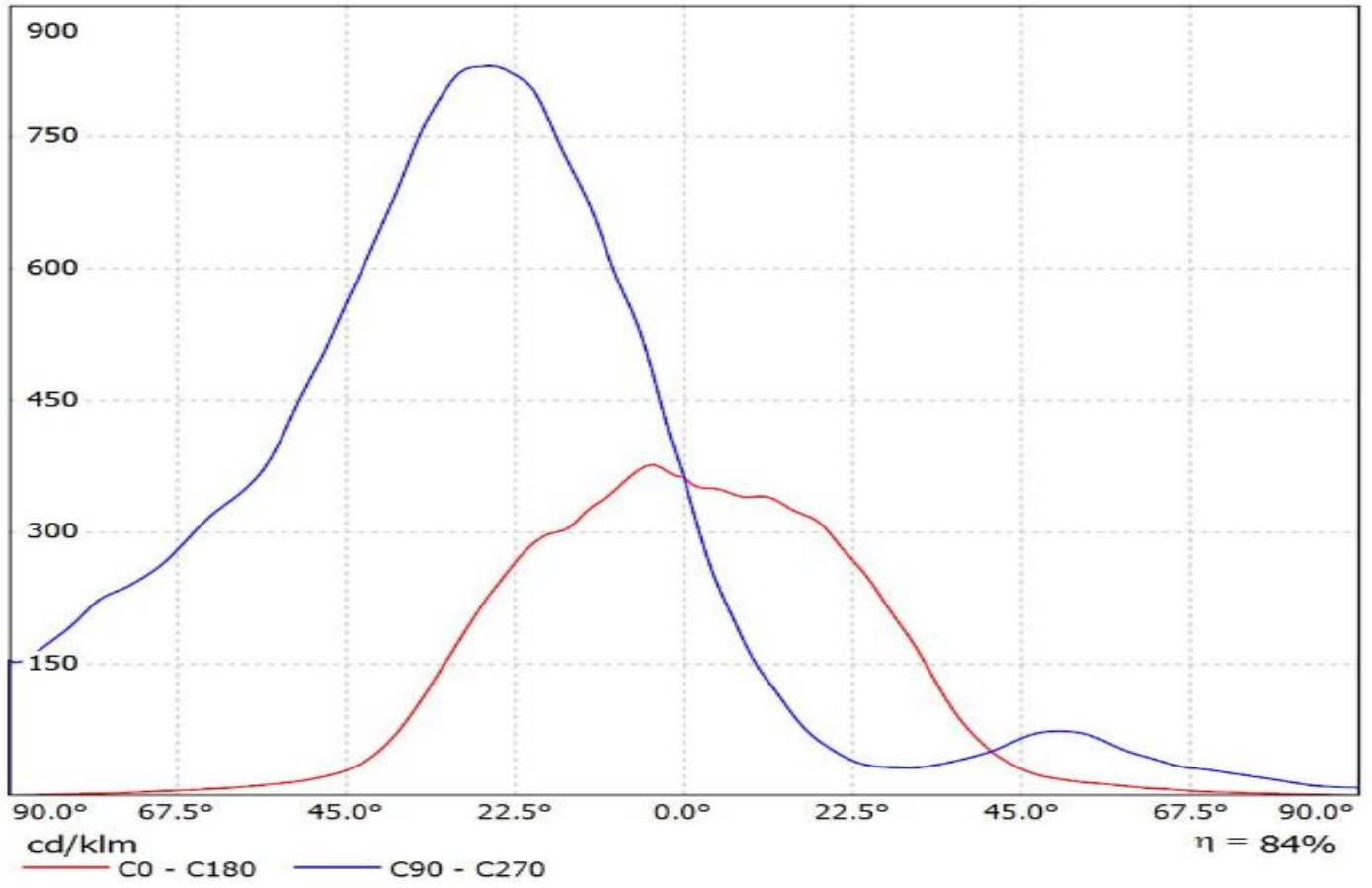
SHEET 3/3

Luminaire: LEDiL Oy FN15731_RONDA-WAS-B_(V13_Gen7)+BJB

Lamps: 1 x Bridgelux_V13_Gen7_(BXRE-30E2000-B_+BJB_47.319.2026.50)_1332.62lm@250mA_P=8.32009W_I=0.25A

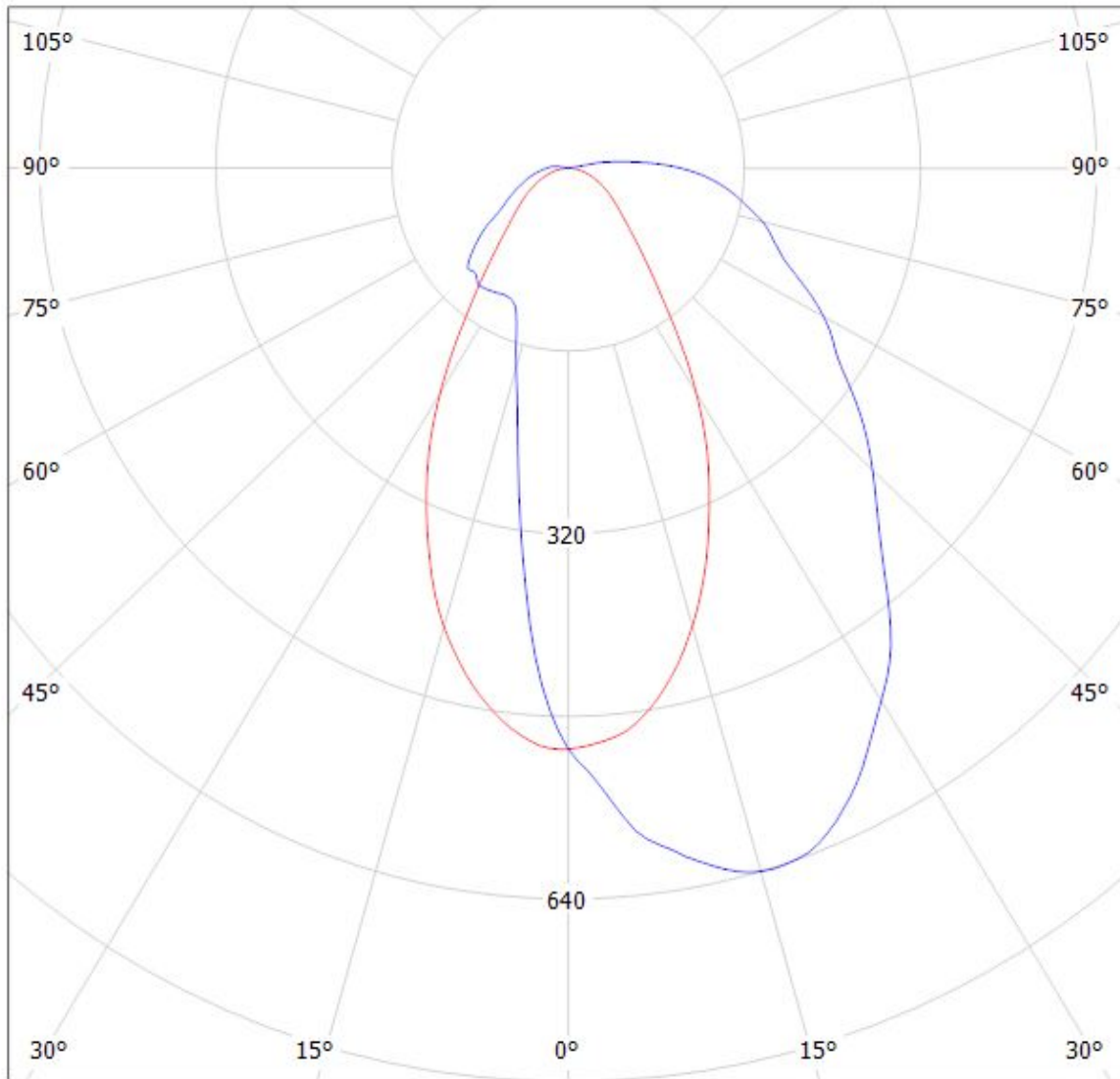


Luminaire: Ledil Oy FN15731_RONDA-WAS-B_BRIDGELUX_V10_Gen7_SIMULATED
Lamps: 1 x BRIDGELUX V10 Gen7



Luminaire: LEDiL Oy FN15731_RONDA-WAS-B_(V13_Gen7)+BJB

Lamps: 1 x Bridgelux_V13_Gen7_(BXRE-30E2000-B_+BJB_47.319.2026.50)_1332.62lm@250mA_P=8.32009W_I=0.25A



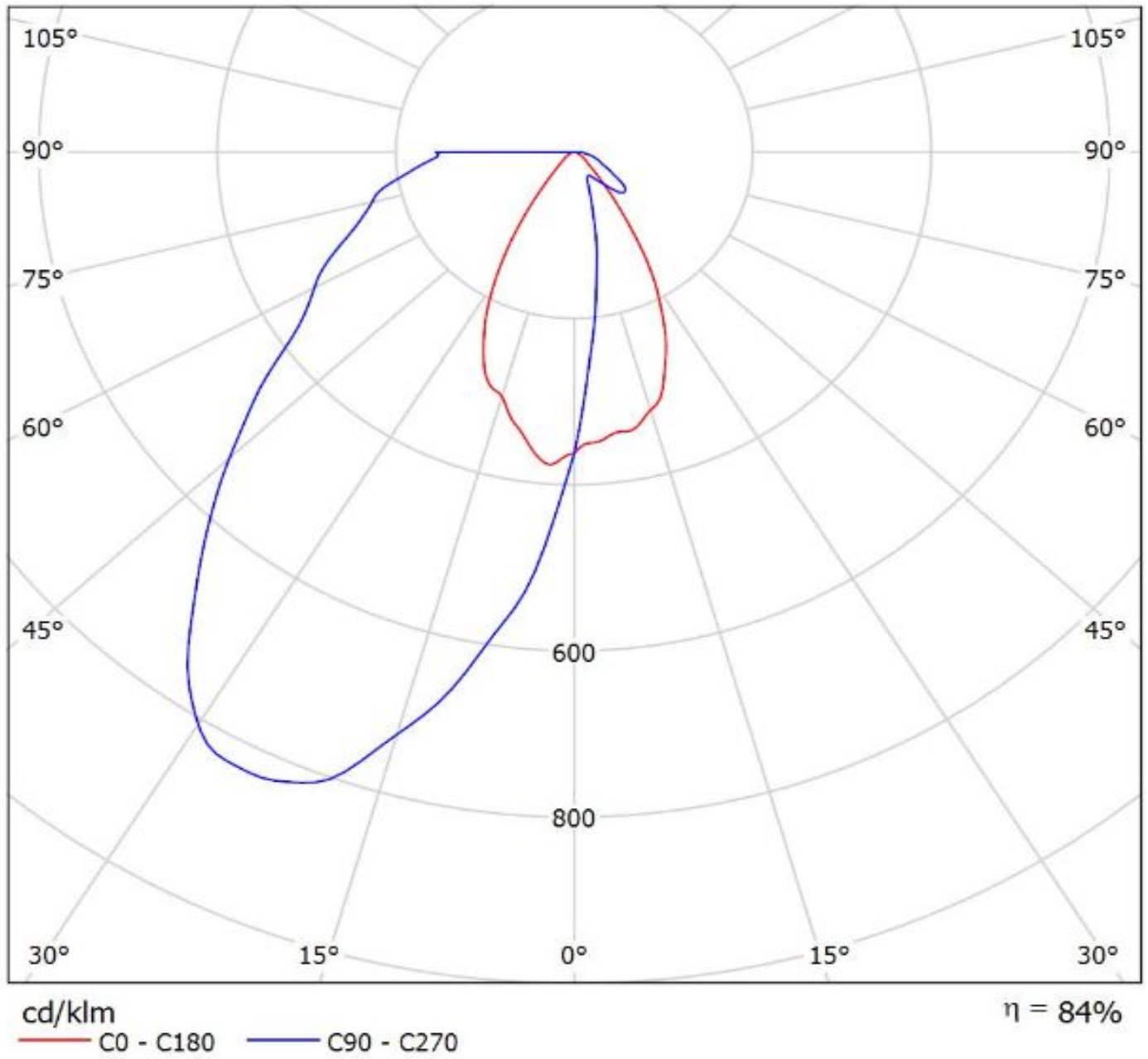
cd/klm

— C0 - C180

— C90 - C270

$\eta = 89\%$

Luminaire: Ledil Oy FN15731_RONDA-WAS-B_BRIDGELUX_V10_Gen7_SIMULATED
Lamps: 1 x BRIDGELUX V10 Gen7



NOTE: The typical divergence will be changed by different color, chip size and chip position tolerance. The typical total divergence is the full angle measured where the luminous intensity is half of the peak value.

GENERAL INFORMATION

- Product series especially designed & optimized for series of LEDs.
- Special care taken to make light distribution as uniform as possible.

Note! Due to use of high power COB's with this product, special attention to proper thermal design is highly recommended. LEDiL has no liability for direct, indirect or consecutive damages arising from the LEDiL products being used outside of the recommended temperature range.