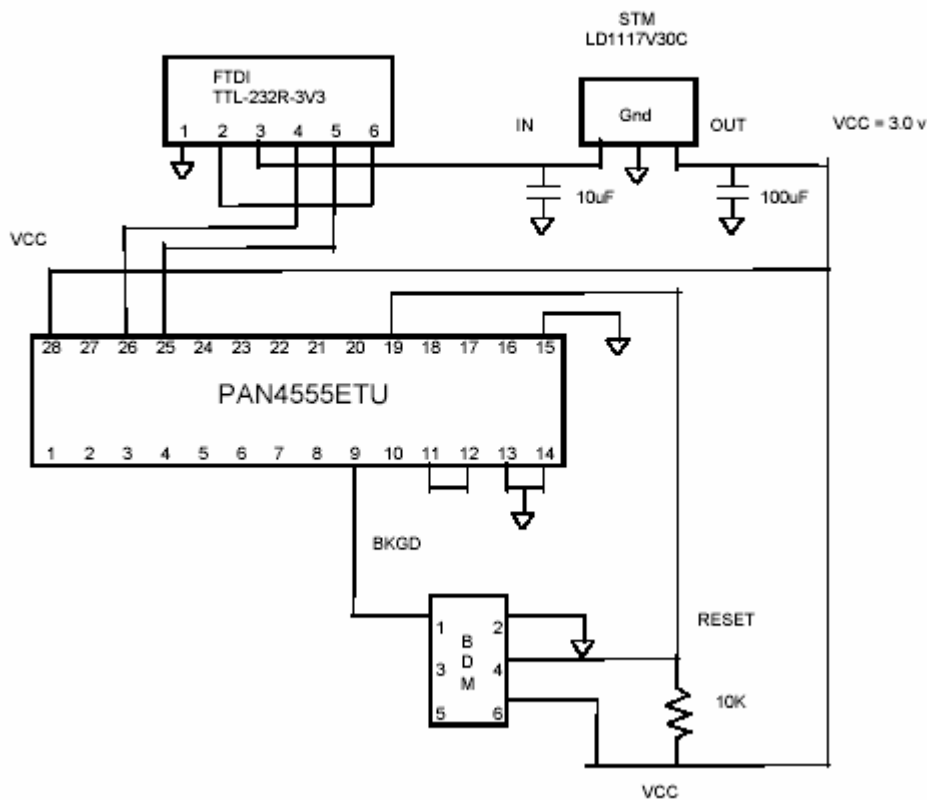


PAN4555ETU Evaluation Module Quick Start Guide

This evaluation module has been flashed with Panasonic's SN55 AT Command Set. You may use the instructions below to quickly form a network, perform range testing and wireless UART commands. Refer to the SN55 Programmer's Interface Manual for detailed instructions.

1. Use the attached reference design to interface with the Evaluation Module.



+++++

The PAN4555ETU features two serial ports, called SCI1 and SCI2. The pins are:

SCI1-TX (PAN4555 out):	21
SCI1-RX (PAN4555 in) :	22
SCI2-TX :	25
SCI2-RX :	26

In addition, pin 28 is for supply voltage, 19 is Reset and GND is 13-15. Please note that pins 11 and 12 have to be connected in order to provide the internal clock source output to the clock input of the on-module microcontroller.

+++++

2. Connect the USB cable to a PC
3. Apply power to the interface board
4. Launch Window's HyperTerminal or a similar communications program.
5. Use Window's Device Manager to determine the com port
6. Set HyperTerminal as follows:

Baud rate = 115200

Data bits=8

Parity =none

Stop bits = 1

Hand shake = none

7. Turn PC cap lock on
8. Confirm communication with the PAN4555 by issuing an information request, Type AT+I*
9. SN55 will respond:

AT+I*

PanID: NOT SET

Channel: NOT SET

Default PanID: 17749

Default Channel: 11

Nwk Type: X

FCC ID: NOT SET

IEEE: 00 11 22 33 44 55 AB CD

PN: NOT SET

SN: NOT SET

HW: NOT SET

SW: r_03_01 - E-Senza Technologies GmbH - support@e-senza.de

Production Date: NOT SET

10. Note the Channel and PANID, these settings must be identical through out the network.
11. Enter network mode. Type AT+NET*
12. Follow the examples beginning on page 51 for the SN55 Programmer's Interface Manual to:

- a. set short address
- b. ping nodes
- c. scan for a clear channel
- d. perform link quality testing
- e. perform wireless UART Commands

If you have any comments or questions please contact:

Rich Trueman

Senior Product Manager, Custom Components

Panasonic Industrial Company

201-392-4864

201-463-8300

TruemanR@US.Panasonic.com

2 Panasonic Way MS-7H-2, Secaucus, NJ 07094

<http://www.panasonic.com/industrial/components/>