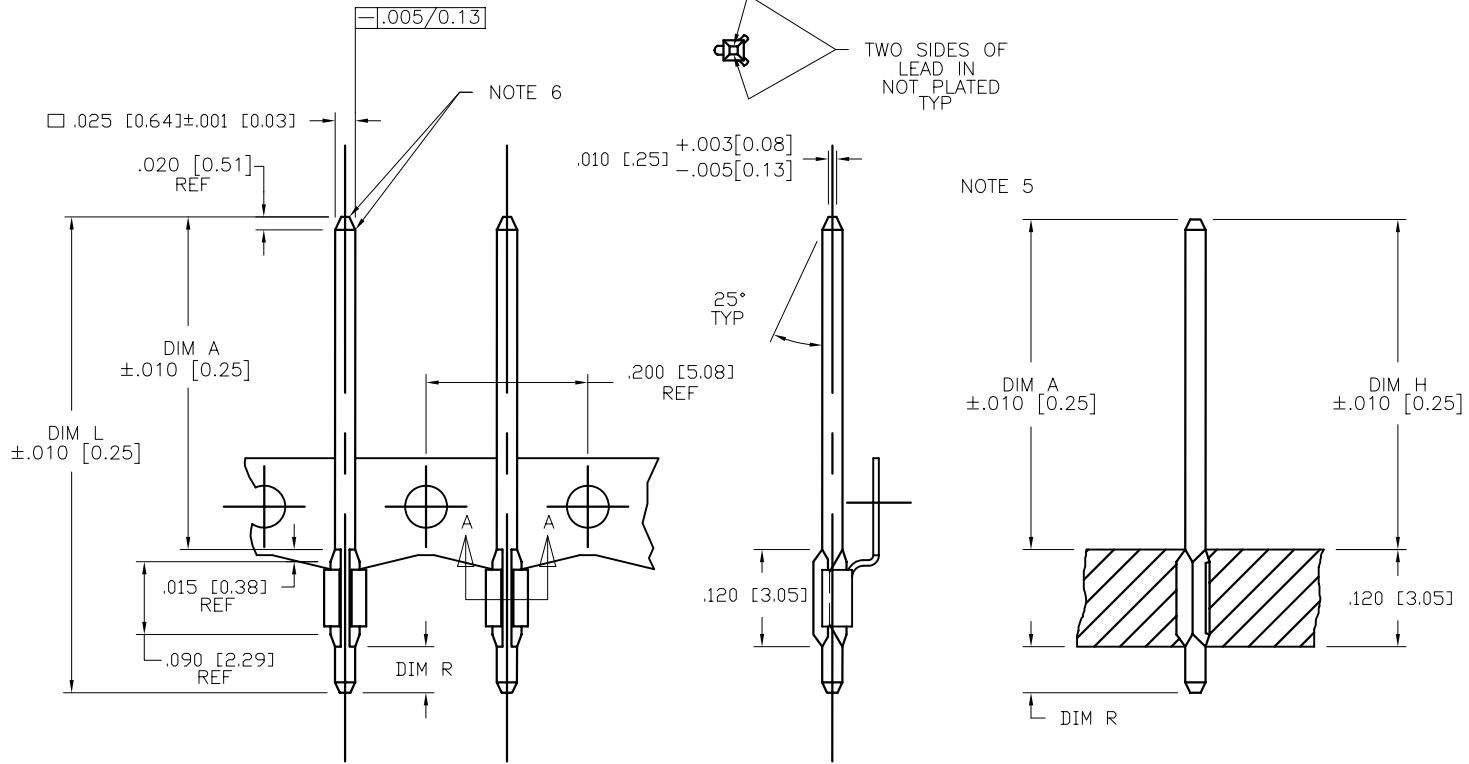
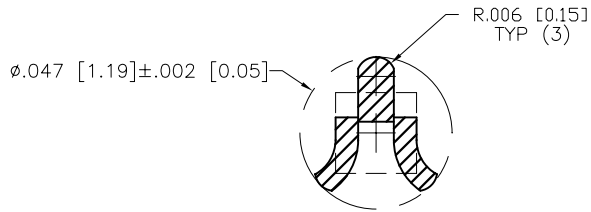


PRODUCT NUMBER  
SEE TABLE



SECTION THRU P.C. BOARD



SECTION A-A  
SCALE 4:1  
WITHOUT FERRULE

mat'l. code		surface		tolerance		projection		product family	
SEE NOTE 1		ASME Y14.5		ASME Y14.5		INCH/MM		PIN PRODUCTS	
ltr	ecn no	dr	date	angles	fin	fin	scale	title	
W	V08-0376	HTB	2008-08-27		XX*01/X*3		5:1	TRI-PIN™	
-	-	-	-		XXX*005/XXX*13			.200" [5.08]cc	
R	V90053	SAR	1999-01-25	0°±2'	XXXX*0020/XXX*051			sheet 1 of 3	
S	V01594	JRW	2000-07-12	dr	E. KROPIEWNICKI			size	
T	V05-0400	HTB	2005-04-28	enfr	L. FYE			A4	
U	V06-0684	HTB	2006-07-24	chr	T. BREWBAKER			dwg no	
V	V07-0009	HTB	2007-01-05	appd	L. FYE			75491	
sheet	revision	W	W	W				type	
index	sheet	1	2	3				CUSTOMER Drawing	





PRODUCT NUMBER	CONTACT AREA		DIM H FOR .120/3.05 BOARD		DIM H FOR .093/2.36 BOARD NOTE 4		DIM H FOR .062/1.57 BOARD NOTE 4		OVERALL LENGTH		TERM. AREA	
	DIM A	DIM A	ENGLISH	METRIC	ENGLISH	METRIC	ENGLISH	METRIC	DIM L	DIM L	DIM R	DIM R
NOTE 8	ENGLISH	METRIC	ENGLISH	METRIC	ENGLISH	METRIC	ENGLISH	METRIC	ENGLISH	METRIC	ENGLISH	METRIC
7549X-001	0.600	15.24	0.600	15.24	0.615	15.62	0.630	16.00	0.770	19.56	0.050	1.27
7549X-002	0.490	12.45	0.490	12.45	0.505	12.83	0.520	13.21	0.660	16.76	0.050	1.27
7549X-003	0.600	15.24	0.600	15.24	0.615	15.62	0.630	16.00	1.050	26.67	0.330	8.38
7549X-004	0.260	6.60	0.260	6.60	0.275	6.99	0.290	7.37	0.430	10.92	0.050	1.27
7549X-005	0.280	7.11	0.280	7.11	0.295	7.49	0.310	7.87	0.730	18.54	0.330	8.38
7549X-006	0.730	18.54	0.730	18.54	0.745	18.92	0.760	19.30	0.900	22.86	0.050	1.27
7549X-007	0.370	9.40	0.370	9.40	0.385	9.78	0.400	10.16	0.540	13.72	0.050	1.27
7549X-008	0.690	17.53	0.690	17.53	0.705	17.91	0.720	18.29	0.850	21.59	0.040	1.02
7549X-009	0.205	5.21	0.205	5.21	0.220	5.59	0.235	5.97	0.375	9.53	0.050	1.27
7549X-010	0.390	9.91	0.390	9.91	0.405	10.29	0.420	10.67	0.560	14.22	0.050	1.27
7549X-011	0.545	13.84	0.545	13.84	0.560	14.22	0.575	14.61	0.715	18.16	0.050	1.27
7549X-012	0.610	15.49	0.610	15.49	0.625	15.88	0.640	16.26	0.780	19.81	0.050	1.27
7549X-013	0.320	8.13	0.320	8.13	0.335	8.51	0.350	8.89	0.660	16.76	0.215	5.46
7549X-014	0.315	8.00	0.315	8.00	0.330	8.38	0.345	8.76	0.485	12.32	0.050	1.27
7549X-015	0.345	8.76	0.345	8.76	0.360	9.14	0.375	9.53	0.775	19.69	0.310	7.87
7549X-016	0.425	10.80	0.425	10.80	0.440	11.18	0.455	11.56	0.855	21.72	0.310	7.87
7549X-017	0.220	5.59	0.220	5.59	0.235	5.97	0.250	6.35	0.420	10.67	0.080	2.03
7549X-018	0.425	10.80	0.425	10.80	0.440	11.18	0.455	11.56	0.625	15.88	0.080	2.03
7549X-019	0.415	10.54	0.415	10.54	0.430	10.92	0.445	11.30	0.575	14.61	0.040	1.02
7549X-020	0.220	5.59	0.220	5.59	0.235	5.97	0.250	6.35	0.395	10.03	0.055	1.40
7549X-021	0.425	10.80	0.425	10.80	0.440	11.18	0.455	11.56	0.600	15.24	0.055	1.40
7549X-022	0.360	9.14	0.360	9.14	0.375	9.53	0.390	9.91	0.905	22.99	0.425	10.80

mat'l. code		surface		tolerance		projection		product family	
SEE NOTE 1		ASME Y14.5		ASME Y14.5				PIN PRODUCTS	
ltr	ecn no	dr	date	tolerances unless otherwise specified		INCH/MM		title	
w				angles	XX*.01/XX*3			TRI-PIN™	
					XXX*.005/XX*.13	scale 1:1		.200" [5.08]cc	
				0*±2'	XXXX*.0020/XXX*.051			dwg no	
		dr	T. BREWBAKER	1996-05-21				sheet 3 of 3 size	
		engr	L. FYE	1996-05-21				75491 A4	
		chr	T. BREWBAKER	1996-05-21				type	
		appd	L. FYE	1996-05-21				CUSTOMER Drawing	
sheet index	revision sheet								