

DETAILS

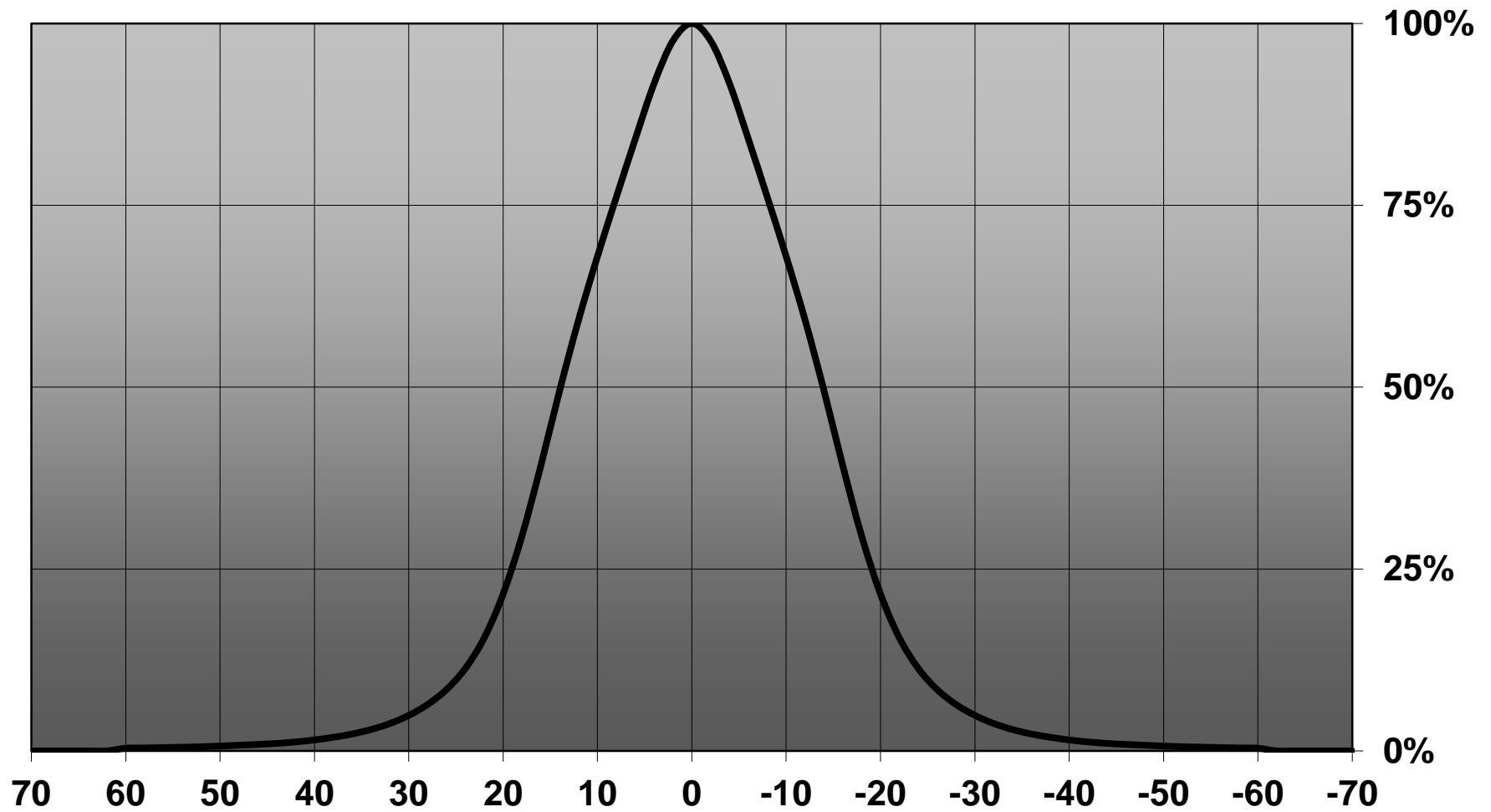
Product Number	FCA12777_IRIS-M
Family	Iris
Type	Assembly
Color	black
Diameter	38 mm
Height	29,2 mm
Style	round
Optic Material	PMMA,PMMA
Holder Material	
Fastening	tape, pin
Status	production ready
ROHS Compliant	Yes
Date Updated	3/03/2017

OPTICAL PROPERTIES

LED	Viewing Angle	Light Beam	Efficiency	cd/lm	Connector
XM-L	28 deg	Medium	84 %	1.400	-
XM-L2	29 deg	Medium	80 %	2.900	-
XHP50	29 deg	Medium	84 %	2.600	-
NFMW48xA	31 deg	Medium	80 %	2.200	-



Relative intensity of FCA12777 & FCN12774_IRIS-M-XML

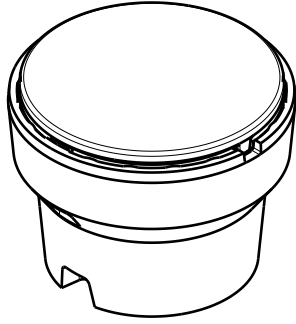


D

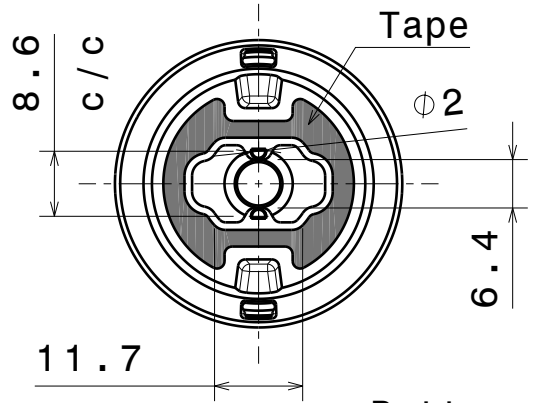
C

B

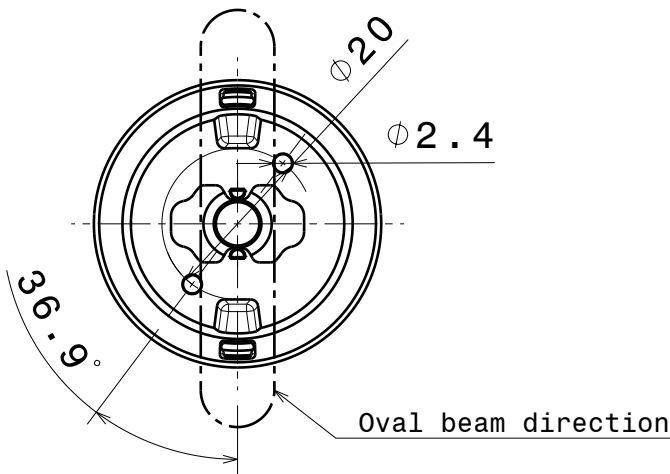
A



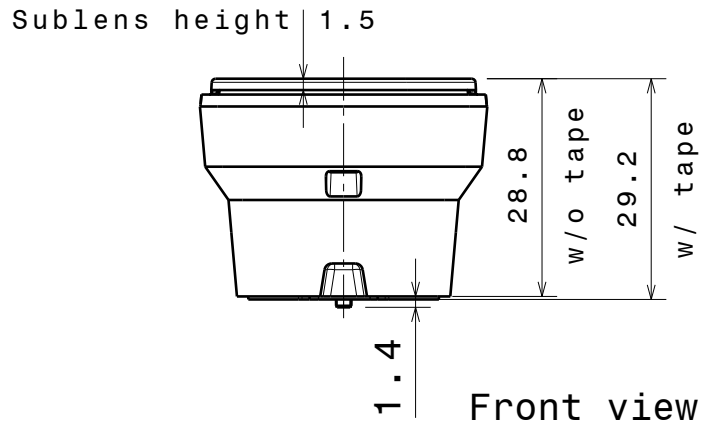
Isometric view



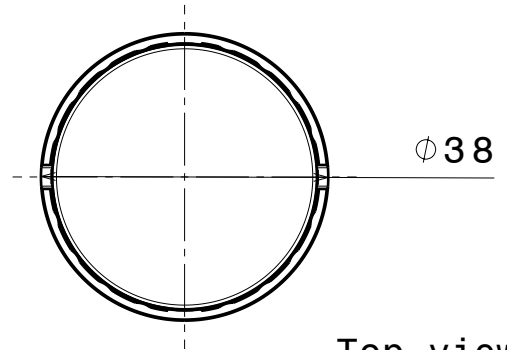
Bottom view



Bottom view without tape



Front view



Top view

Materials

- Lens: PMMA
- Sublens: PC
- Holder: PC
- Tape: PU Foam

This drawing is our property. It can't be reproduced or communicated without our written agreement.



Ledil Oy
Salorankatu 10
FIN 24240 SALO
Finland

DRAWING TITLE Mechanical drawing

DRAWN BY as
DATE 17.9.2012

IRIS-XM

CHECKED BY sn
DATE -

SIZE A4 PART NUMBER REV 001

DESIGNED BY -
DATE -

SCALE 1:1 WEIGHT - SHEET 1/1

D

A

4

4

3

3

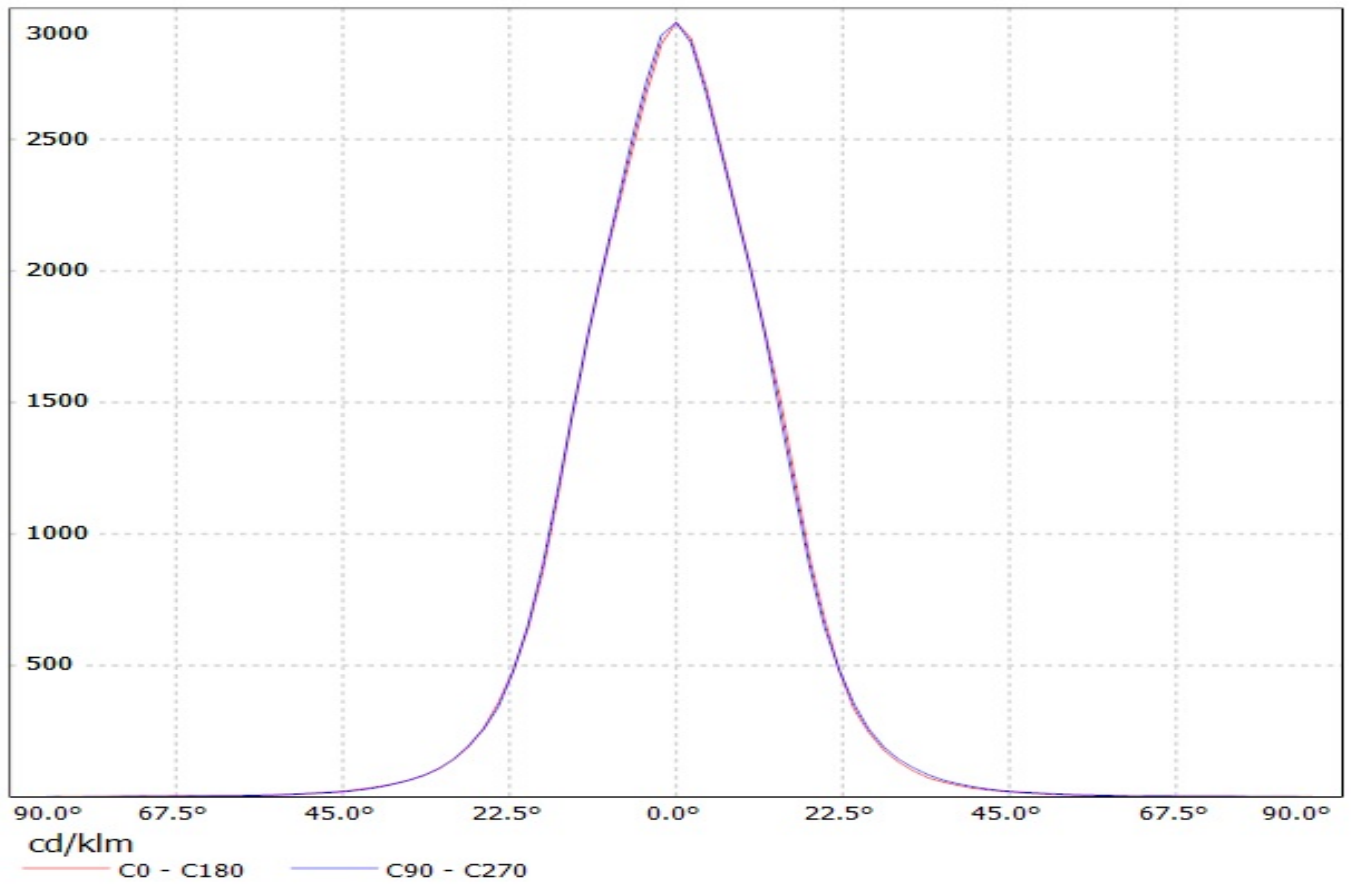
2

2

1

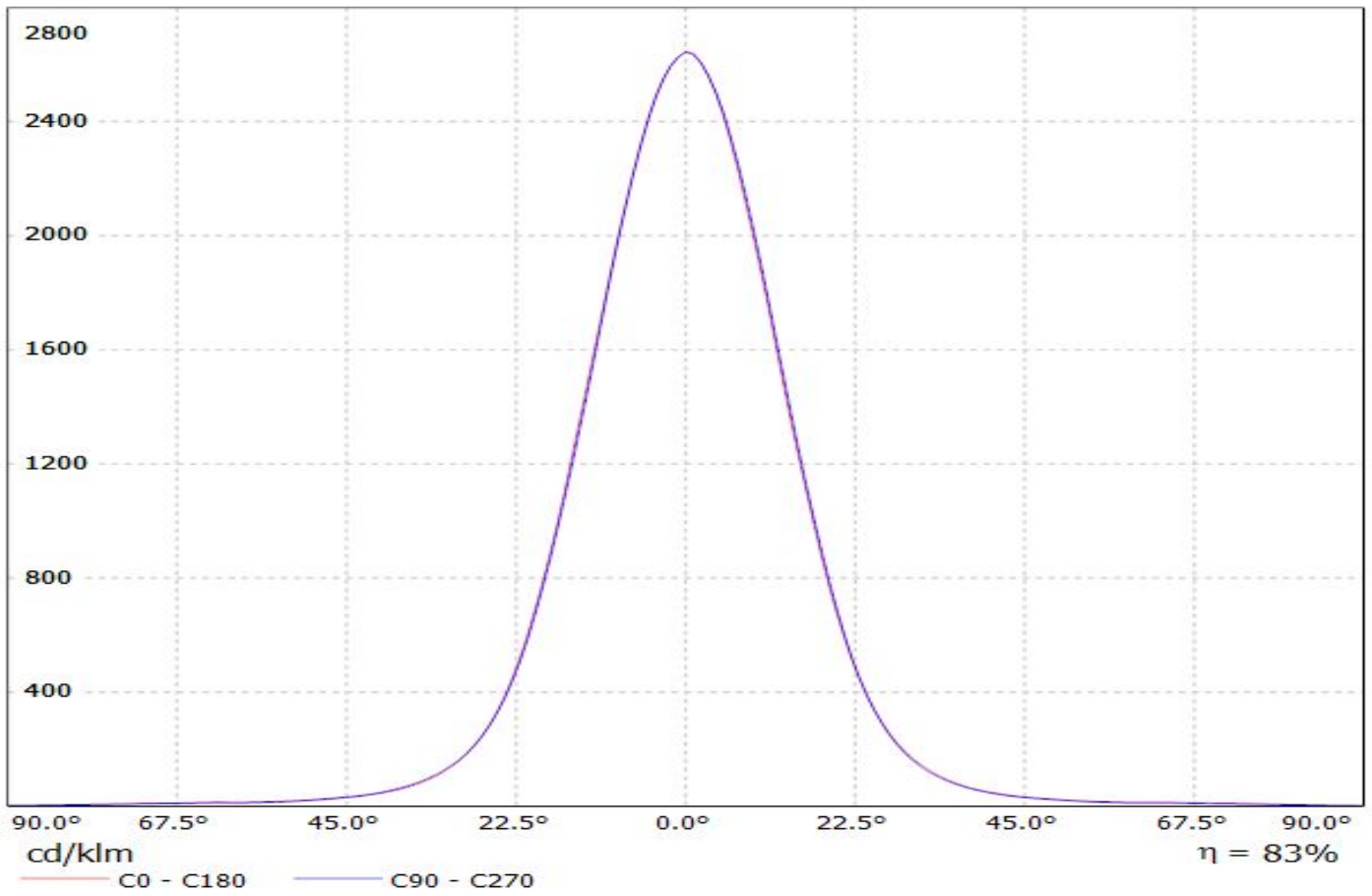
1

Luminaire: LEDil Oy FCA12777_IRIS-M_(XM-L2) Efficiency=80%
Lamps: 1 x Cree XM-L2 (XMLBWT-0-7B4-T30-0L-0001) 91lm @ 250mA CCT=3200K P=0.7W I=250mA

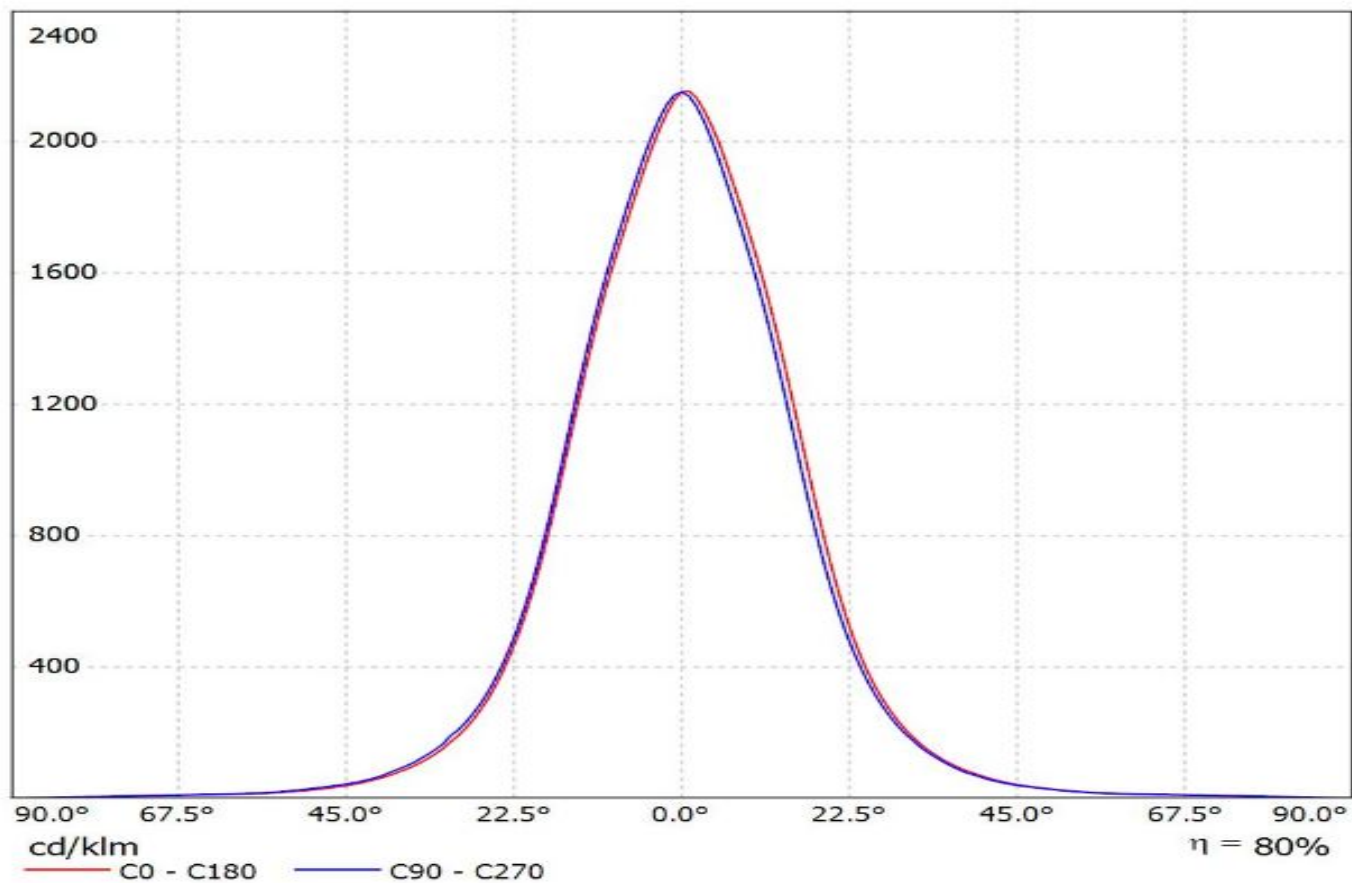


Luminaire: LEDiL Oy FCA12777_IRIS-M_(CREE_XHP50_WARM_WHITE)

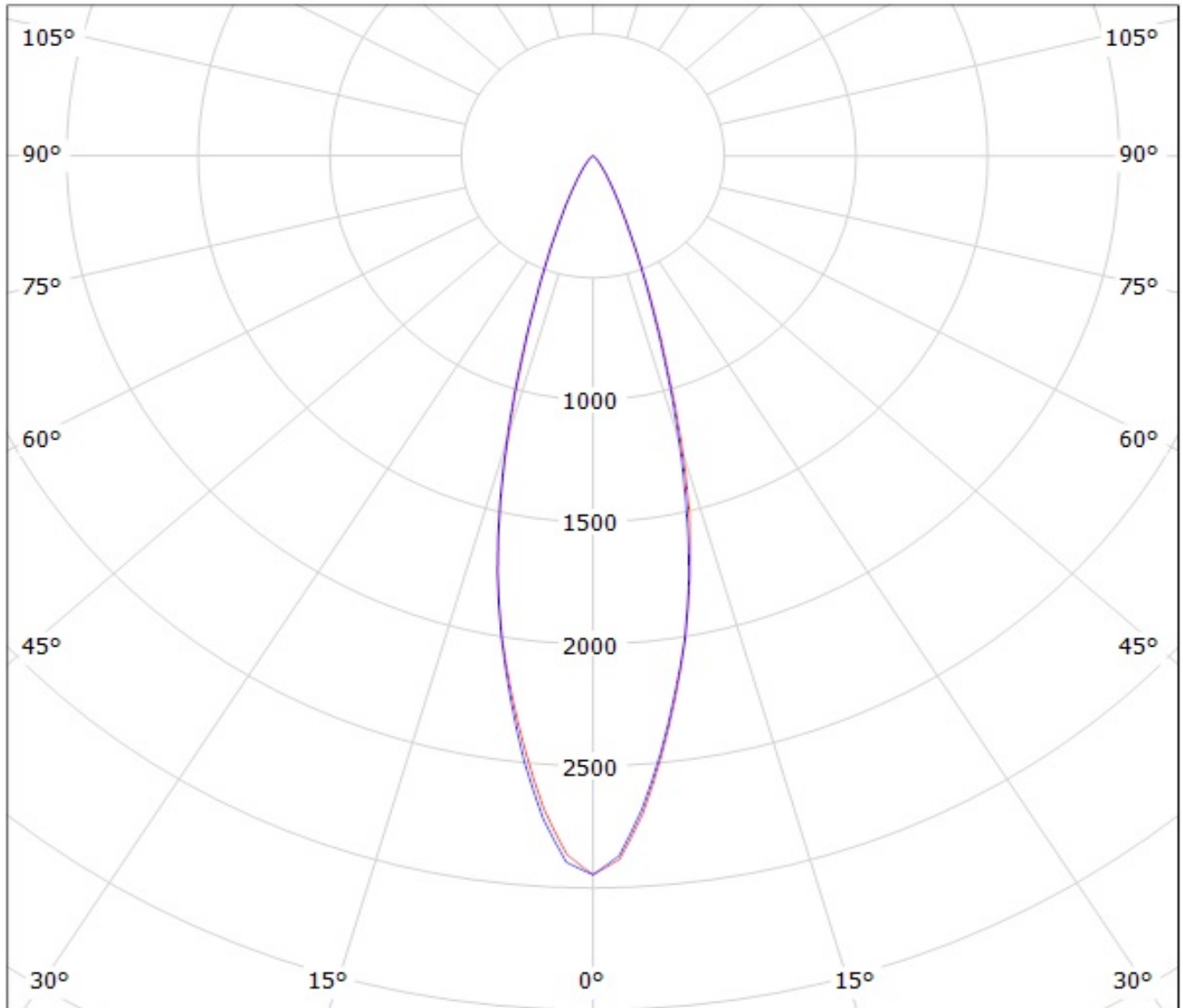
Lamps: 1 x CREE_XHP50_WARM_WHITE_195.088lm@250mA_P=1.40004W_I=0.2499A



Luminaire: LEDiL Oy FCA12777_IRIS-M_(NFMx48xAR)_(14Chip)
Lamps: 1 x Nichia_NFMx48xAR_(14Chip)_(NFMW488AR)_551.592lm@100mA_P=4.0613W_I=0.100A



Luminaire: LEDil Oy FCA12777_IRIS-M_(XM-L2) Efficiency=80%
Lamps: 1 x Cree XM-L2 (XMLBWT-0-7B4-T30-0L-0001) 91lm @ 250mA CCT=3200K P=0.7W I=250mA



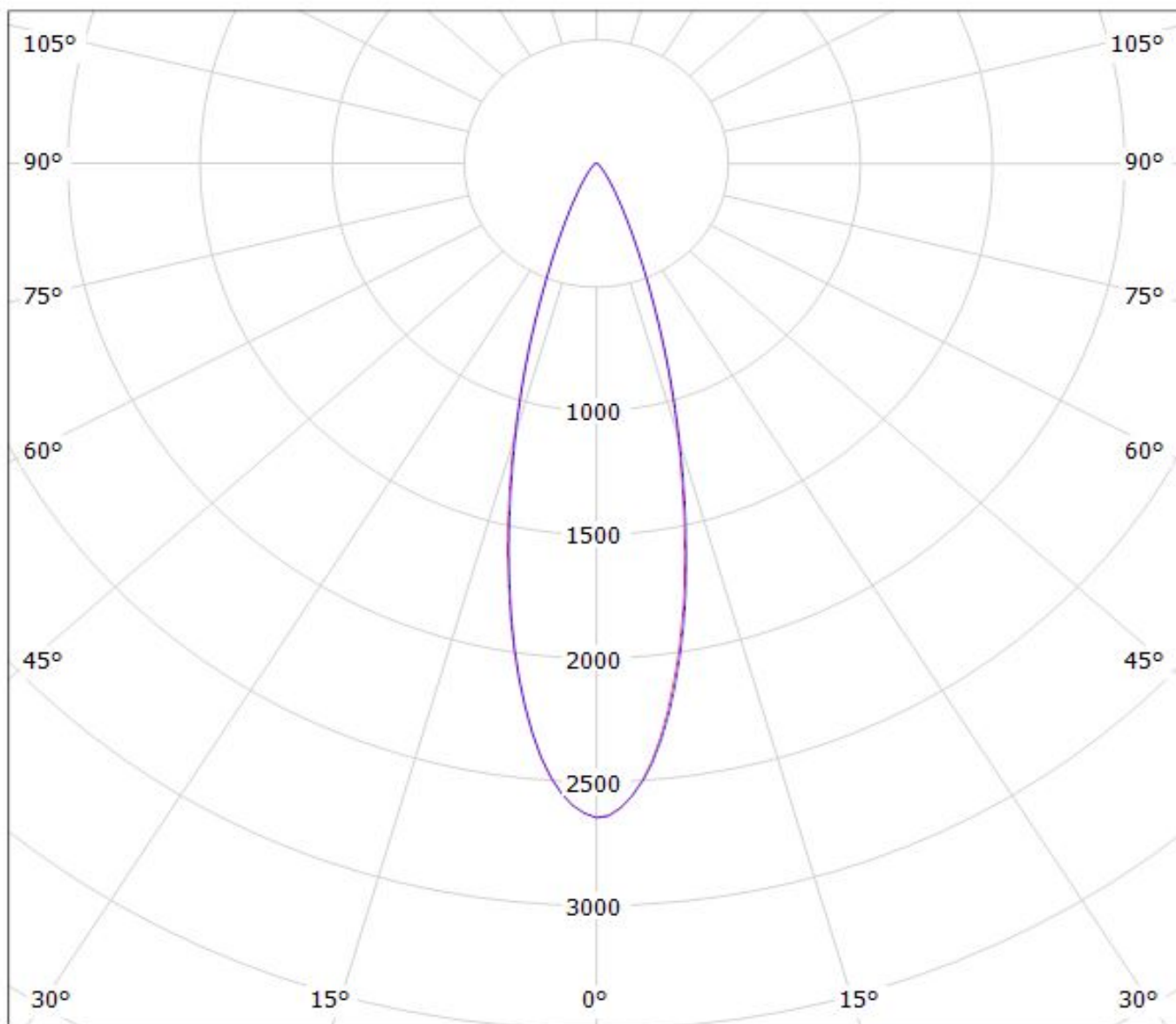
cd/klm

— C0 - C180

— C90 - C270

Luminaire: LEDiL Oy FCA12777_IRIS-M_(CREE_XHP50_WARM_WHITE)

Lamps: 1 x CREE_XHP50_WARM_WHITE_195.088lm@250mA_P=1.40004W_I=0.2499A



cd/klm

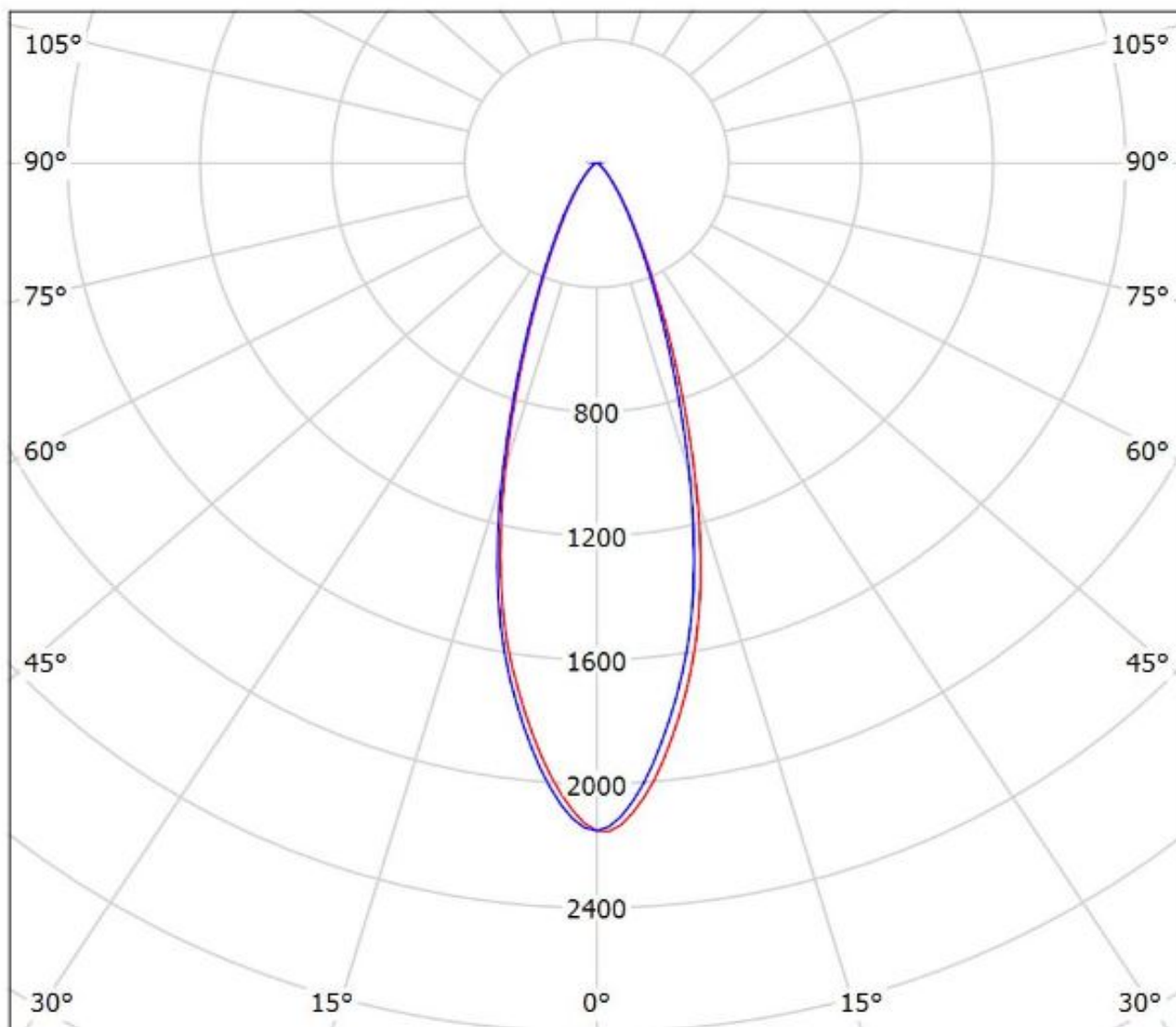
— C0 - C180

— C90 - C270

$\eta = 83\%$

Luminaire: LEDiL Oy FCA12777_IRIS-M_(NFMx48xAR)_(14Chip)

Lamps: 1 x Nichia_NFMx48xAR_(14Chip)_(NFMW488AR)_551.592lm@100mA_P=4.0613W_I=0.100A



cd/klm

— C0 - C180 — C90 - C270

$\eta = 80\%$

NOTE: The typical divergence will be changed by different color, chip size and chip position tolerance. The typical total divergence is the full angle measured where the luminous intensity is half of the peak value.