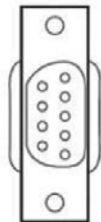
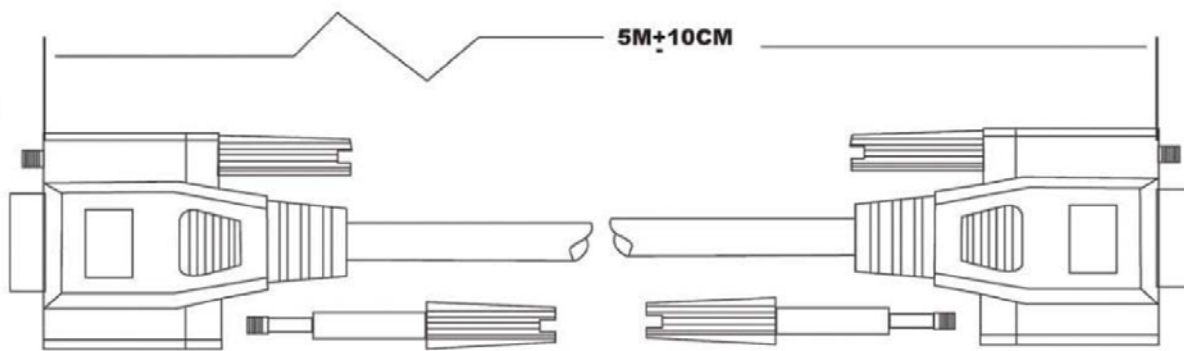


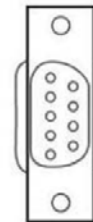
DB9 Female



5M±10CM



DB9 Female



Configuration:

DB9F	DB9F
1 _____	1 _____
2 _____	2 _____
3 _____	3 _____
4 _____	4 _____
5 _____	5 _____
6 _____	6 _____
7 _____	7 _____
8 _____	8 _____
9 _____	9 _____
Shield _____	Shield _____

Material:

- 1.Cable: #28 9C+1+AL/MY (Beige PVC Jacket) O.D:5.0MM
- 2.Both connectors with normal type
- 3.Thumbscrew: #4-40UNC Type
- 4.Outter Molded with Beige PVC

Notes:

- 1.Total Length: 5M±10CM
- 2.Color: Beige
- 3.Molded Type



Scale	1:1					Name	Item No.					
TOLERANCE								Drawn	11.15.11	Chappell	Title	
X.X	±0.40											Approved
X.XX	±0.25											
X.XXX	±0.15											
Angle	±3°	ASSMANN W/S/W components	Drawing No.		rev00							
			Replace									
Modification			Date	Name		Sheet						

		AK153-5 (5 Meters)	
		Serial Connection Cable, Molded Hoods, D-Sub 9 Pin Female to D-Sub 9 Pin Female	
		rev00	
		Replace	Sheet