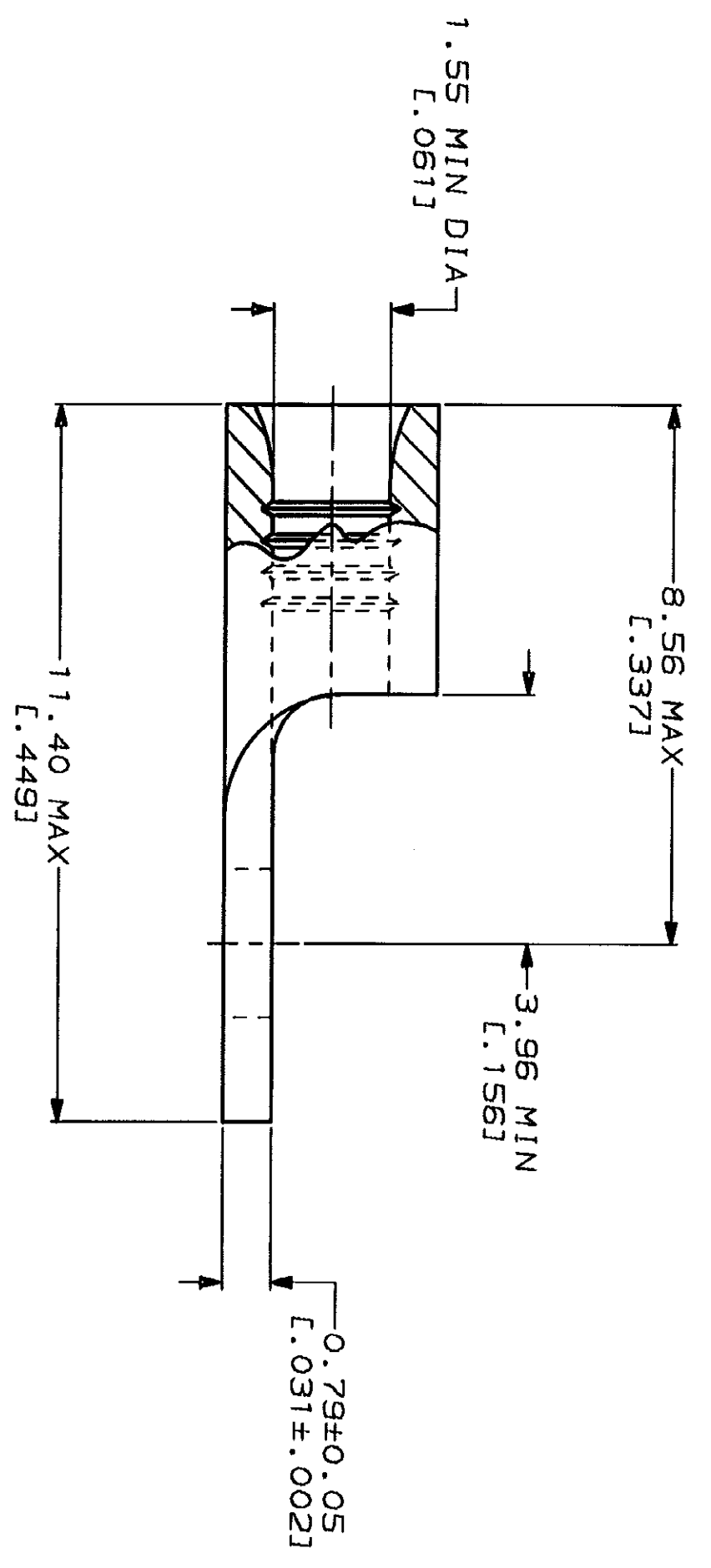
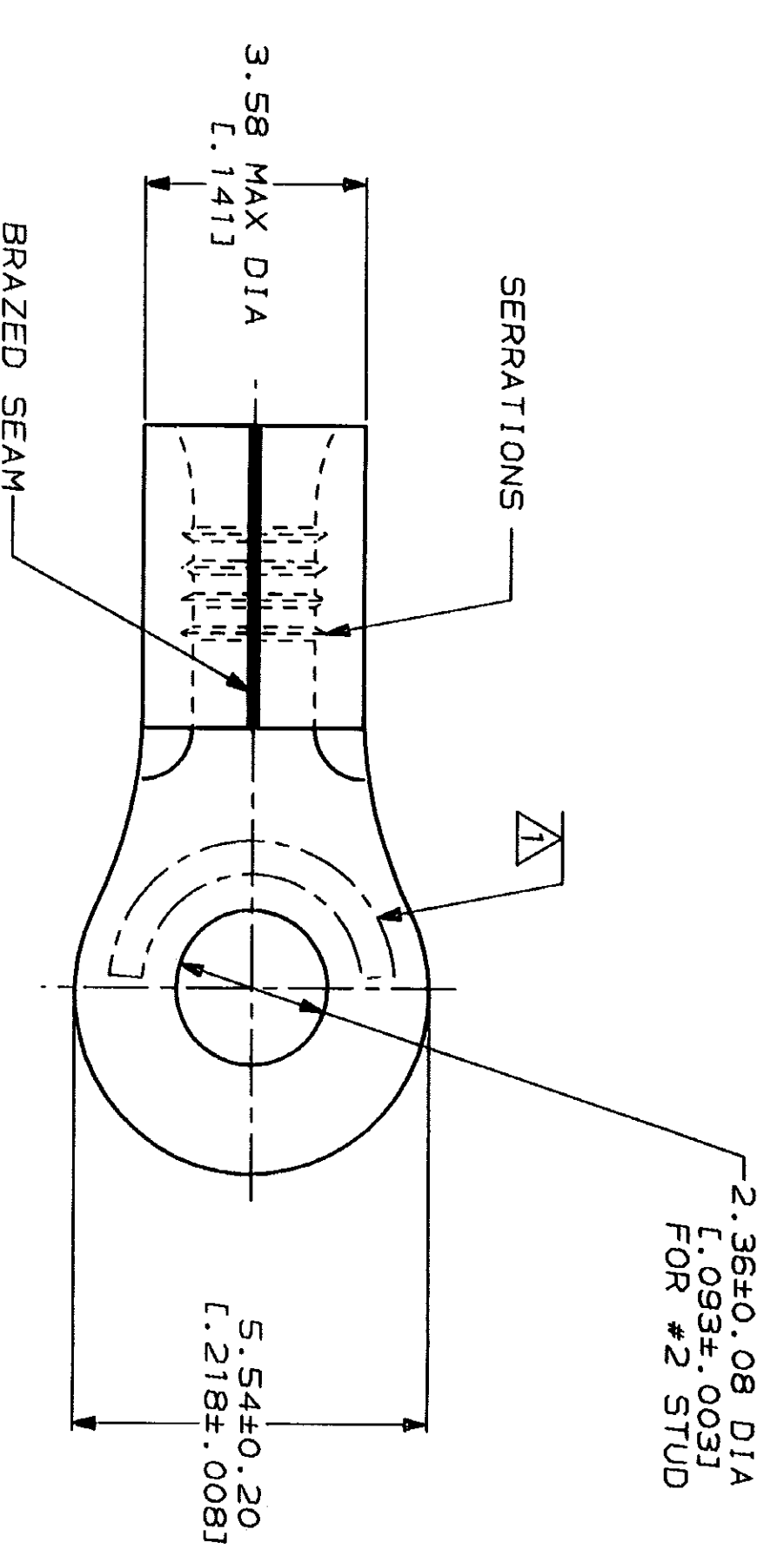
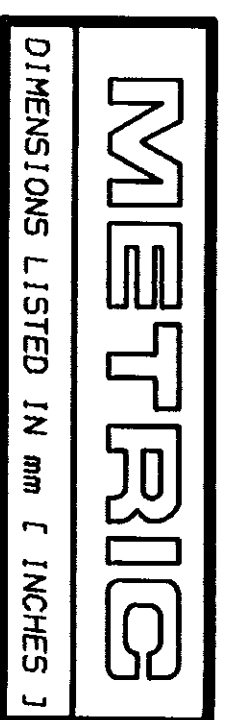


LOC	DIST	REV	DESCRIPTION	DATE	APP'D
G	14	P	REV 8 REDRAWN PER 0720-0040-93	3-9-93	JB DAP



<b>AMP</b> WIRE RANGE	<b>UL</b> E13288 Listed
22-16 AWG SOLID OR STRANDED	22-16 AWG SOLID OR STRANDED
<b>LR7189</b> Certified	MILITARY P/N AND CLASS
22-16 AWG SOLID OR STRANDED	M7928/7-1 CLASS 2 PN'S 34103 & 2-34103-1

STAMP AMP 22-18\* APPROX AS SHOWN  
 22-16 TERMINALS ARE STAMPED 22-18 IN  
 ACCORDANCE WITH MILITARY SPECIFICATION  
 MIL-T-7928; COMMERCIAL WIRE RANGE IS 22-16

**AMP INCORPORATED  
 CUSTOMER SERVICE SYSTEMS**

FOR ADDITIONAL PRODUCT INFORMATION OR COPIES OF DRAWINGS AND TECHNICAL DOCUMENTS	PRODUCT INFORMATION CENTER 1-800-522-6752
FOR APPLICATION TOOLING INFORMATION	TOOLING ASSISTANCE CENTER 1-800-722-1111
FOR ORDER ENTRY	1-800-526-5142

MAX RECOMMENDED OPERATING  
TEMPERATURE: 170°C MAX

VOLTAGE RATING:  
NOT APPLICABLE

WIRE CROSS SECTIONAL AREA RANGE:  
0.26-1.65mm<sup>2</sup> [509-3,260] CIR MILS  
SOLID OR STRANDED

DO NOT SCALE PRINT.  
UNLESS SPECIFIED  
DIMENSIONS IN mm [ INCHES ]  
TOLERANCES ON:  
2 PLC DEC ±  
3 PLC DEC ±  
ANGLES ±

MATERIAL  
COPPER PER  
ASTM B-152  
ANNEALED

FINISH  
TIN PLATE  
0.00254 [ 0.00100 ] MIN  
THK PER MIL-T-10727

DR 1-27-93 TA BRINKMAN	DR 1-27-93 DA PATTERSON
APPD 1-27-93 DE MILLER	APPD 1-27-93 JL MECKLEY
APPD 1-27-93 JL MECKLEY	APPD 1-27-93 JL MECKLEY
DR 1-27-93 TA BRINKMAN	DR 1-27-93 DA PATTERSON

5000	ON TAPE	2-34103-1
---	LOOSE PIECE	34103
QUANTITY	PACKAGING TYPE	PART NO

**AMP**  
AMP Incorporated  
Harrisburg, PA 17105-3608

TERMINAL, RING  
TONGUE, SOLISTRAND™

SCALE 10:1	CAGE CODE 00779	DRAWING NO 34103
WEIGHT	APPLICATION SPEC	SHEET 1 OF 1