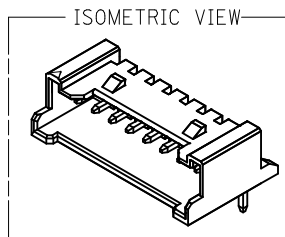
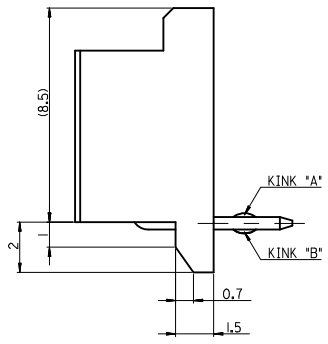
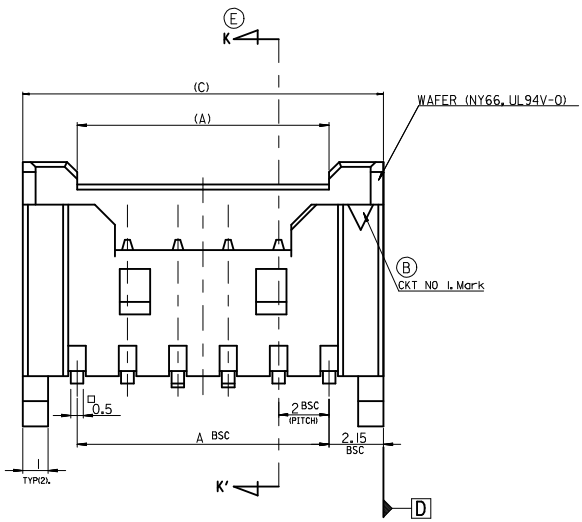


© LEGEND

SD-35363-\*\*\* \* COLOR

- 0 : NATURAL
- 1 : BLACK
- 2 : RED
- 3 : YELLOW
- 4 : BLUE
- 5 : GREEN



32.3	31.3	28	-15 *	15
30.3	29.3	26	-14 *	14
28.3	27.3	24	-13 *	13
26.3	25.3	22	-12 *	12
24.3	23.3	20	-11 *	11
22.3	21.3	18	-10 *	10
20.3	19.3	16	-09 *	9
18.3	17.3	14	-08 *	8
16.3	15.3	12	-07 *	7
14.3	13.3	10	-06 *	6
12.3	12.3	8	-05 *	5
10.3	9.3	6	35363-04 *	4
(C)	(B)	A	ENG. NO.	CKT

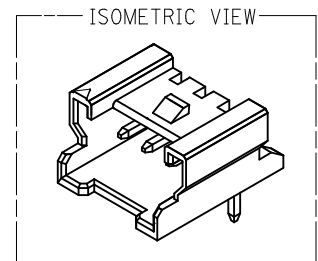
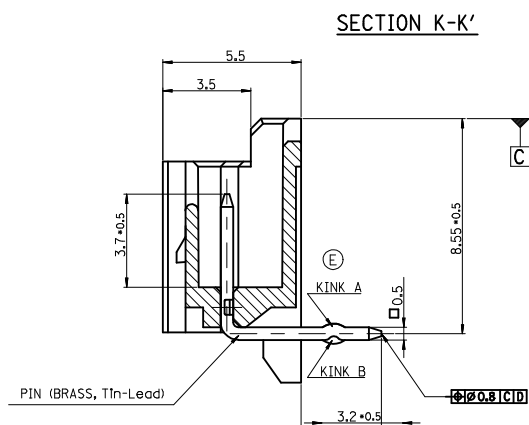
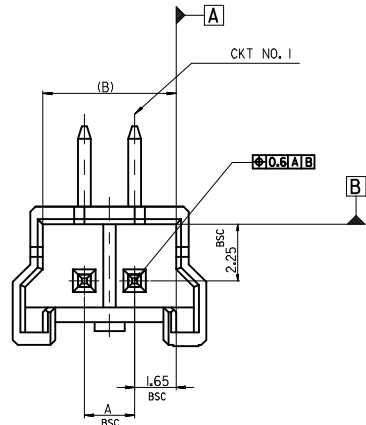
NOTES

① MATERIAL : UNFILLED POLYAMIDE, UL94V-0  
 2. MATING HOUSING : 35007-\*\*\*0\*  
 MATING TERMINAL : 50212-8000  
 ③ CHAMBER : 0.3 MAX.  
 4. KINK

CKT NO	1	2	3	4	5	N-2	N-1	N
6 CKT OVER	-	A	B	-	-	B	A	-
5 CKT	A	B	-	B	A			
4 CKT	A	B	B	A				

5. PRODUCT SPECIFICATION NO : PS-35507-001

REVISED EC NO: KOR2008-0018 DRWN: JHBAE 2009/01/14 CHKD: YSOOK IM 2009/01/14 APPR: YUNSIKKIM 2009/01/15	QUALITY SYMBOLS	GENERAL TOLERANCES (UNLESS SPECIFIED)	DIMENSION STYLE	SCALE	DESIGN UNITS	THIRD ANGLE PROJECTION
	▼ = 0 ◻ = 0	mm INCH 4 PLACES ± --- ± --- 3 PLACES ± --- ± --- 2 PLACES ± --- ± --- 1 PLACE ± 0.15 ± --- ANGULAR ± 1°	MM ONLY	5:1	METRIC	
	DESCRIPTION	DRAWN BY	DATE	TITLE	2.0 W/B CONN WAFER ASSY (R/A)	
		YSOOKIM	1996/09/11		MOLEX INCORPORATED	
		CHECKED BY	DATE	MATERIAL NO.	DOCUMENT NO.	SHEET NO.
		JKOH	1996/09/11			1 OF 3
		APPROVED BY	DATE	ENTER PART SD-35363-001		
		CWLEE	1996/09/11	THIS DRAWING CONTAINS INFORMATION THAT IS PROPRIETARY TO MOLEX INCORPORATED AND SHOULD NOT BE USED WITHOUT WRITTEN PERMISSION		

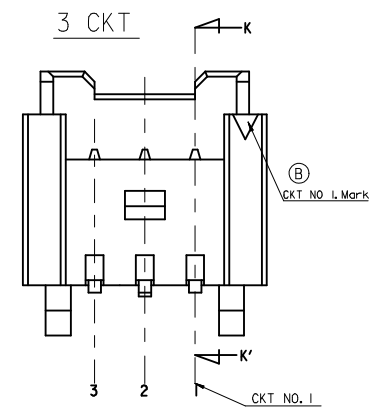
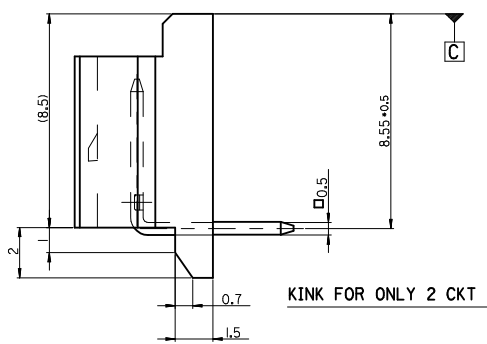
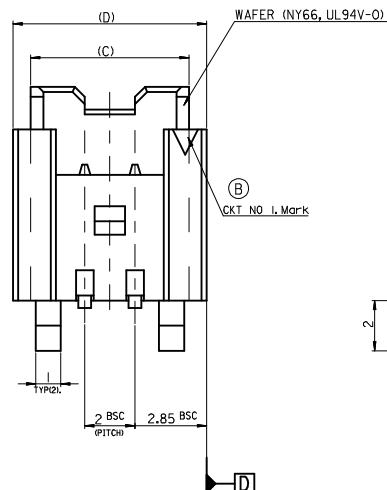


FOR 2 & 3 CKTS.

LEGEND

SD-35363-\*\*\*|\* COLOR

0	: NATURAL
1	: BLACK
2	: RED
3	: YELLOW
4	: BLUE
5	: GREEN



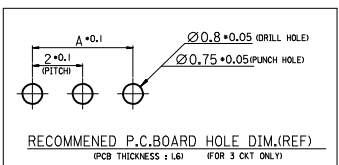
NOTES

- ① 1. MATERIAL : UNFILLED POLYAMIDE, UL94V-0
- 2. MATING HOUSING : 35007-\*\*\*0\*
- MATING TERMINAL : 50212-8000
- ③ CHAMBER : 0.3 MAX.
- 4. KINK

CKT NO	1	2	3
2 CKT	NONE	KINK	
3 CKT	A	B	A

5. PRODUCT SPECIFICATION NO : PS-35507-001

9.7	8.3	7.3	4	-03 *	3
7.7	6.3	5.3	2	35363-02 *	2
(D)	(C)	(B)	A	ENG. NO.	CKT



30 over	±0.3
10 over 30 under	±0.25
10 under	±0.2
ANGLE	±3°
GENERAL TOLERANCE	

REVISED  
 EC NO: KOR2008-0018  
 DRWN: JBAE 2009/01/14  
 CHKD: YSOOKIM 2009/01/14  
 APPR: YUNS IKKIM 2009/01/15

QUALITY SYMBOLS  
 ▽=0  
 ▽=0

GENERAL TOLERANCES (UNLESS SPECIFIED)

	mm	INCH
4 PLACES	±---	±---
3 PLACES	±---	±---
2 PLACES	±---	±---
1 PLACE	±0.15	±---
ANGULAR ± 1°		

DRAFT WHERE APPLICABLE MUST REMAIN WITHIN DIMENSIONS

DIMENSION STYLE  
**MM ONLY**

SCALE  
**5:1**

DESIGN UNITS  
**METRIC**

THIRD ANGLE PROJECTION

DRAWN BY  
 YSOOKIM

DATE  
 1996/09/11

CHECKED BY  
 JKOH

DATE  
 1996/09/11

APPROVED BY  
 CWLEE

DATE  
 1996/09/11

MATERIAL NO.

ENTER PART

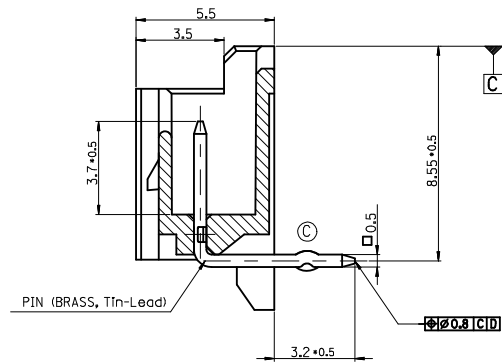
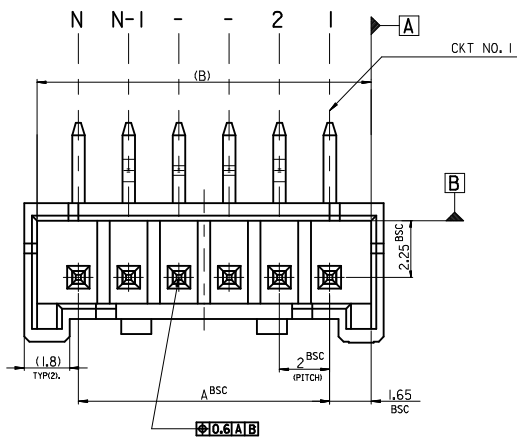
TITLE  
**2.0 W/B CONN  
 WAFER ASSY  
 (R/A)**

**MOLEX INCORPORATED**

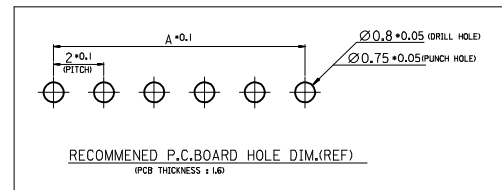
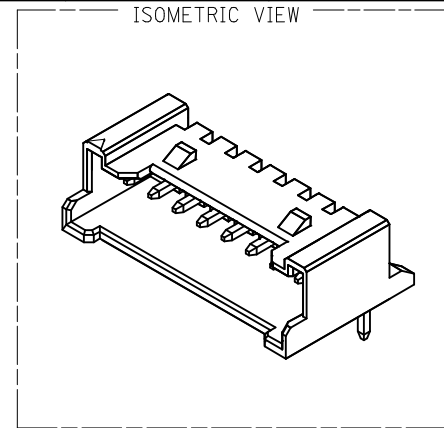
DOCUMENT NO.  
**SD-35363-001**

SHEET NO.  
**2 OF 3**

THIS DRAWING CONTAINS INFORMATION THAT IS PROPRIETARY TO MOLEX INCORPORATED AND SHOULD NOT BE USED WITHOUT WRITTEN PERMISSION



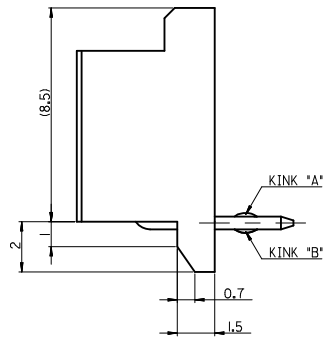
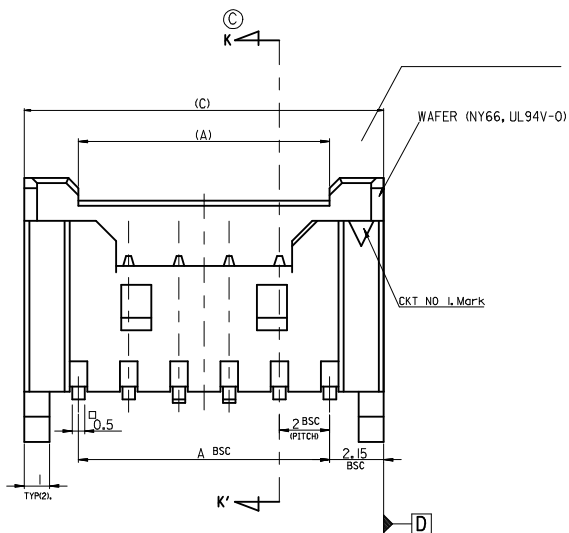
SECTION K-K'



LEGEND

SD-35363-***	COLOR	0 : NATURAL
CKT NO. _____		1 : BLACK
		2 : RED
		3 : YELLOW
		4 : BLUE
		5 : GREEN

42.3	41.3	38	35363-20I*	20
(C)	(B)	A	ENG. NO.	CKT



NOTES

- MATERIAL : UNFILLED POLYAMIDE, UL94V-0
- MATING HOUSING : 35007-\*\*\*0\*
- MATING TERMINAL : 50212-8000
- KINK

CKT NO	1	2	3	4	N-3	N-2	N-1	N
20	-	A	B	-	-	B	A	-

4. PRODUCT SPECIFICATION NO : PS-35507-001

30 over	+0.3
10 over 30 under	±0.25
10 under	±0.2
ANGLE	±3°

GENERAL TOLERANCE

REVISED  
 EC NO: KOR2008-0018  
 DRWN: JHAE  
 CHKD: YSOOKIM  
 APPR: YUNS IKKIM

QUALITY SYMBOLS  
 ▽=0  
 ▽=0  
 DESCRIPTION  
 REV G1

GENERAL TOLERANCES (UNLESS SPECIFIED)	
mm	INCH
4 PLACES ±---	±---
3 PLACES ±---	±---
2 PLACES ±---	±---
1 PLACE ±0.15	±---
ANGULAR ± 1°	
DRAFT WHERE APPLICABLE MUST REMAIN WITHIN DIMENSIONS	

DIMENSION STYLE	
MM ONLY	
DRAWN BY	DATE
YSOOKIM	1996/09/11
CHECKED BY	DATE
JKOH	1996/09/11
APPROVED BY	DATE
CWLEE	1996/09/11
MATERIAL NO.	
ENTER PART	

SCALE	DESIGN UNITS	THIRD ANGLE PROJECTION
5:1	METRIC	☉
TITLE		
2.0 W/B CONN WAFER ASSY (R/A)		
MOLEX INCORPORATED		
MATERIAL NO.	DOCUMENT NO.	SHEET NO.
ENTER PART	SD-35363-001	3 OF 3
THIS DRAWING CONTAINS INFORMATION THAT IS PROPRIETARY TO MOLEX INCORPORATED AND SHOULD NOT BE USED WITHOUT WRITTEN PERMISSION		