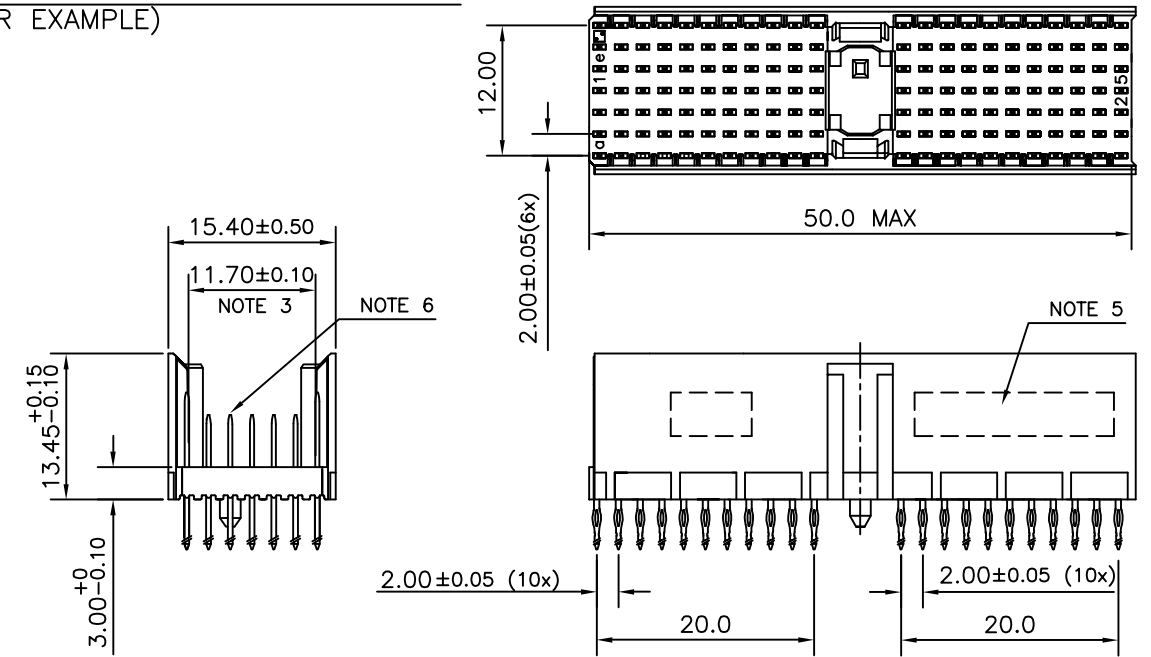


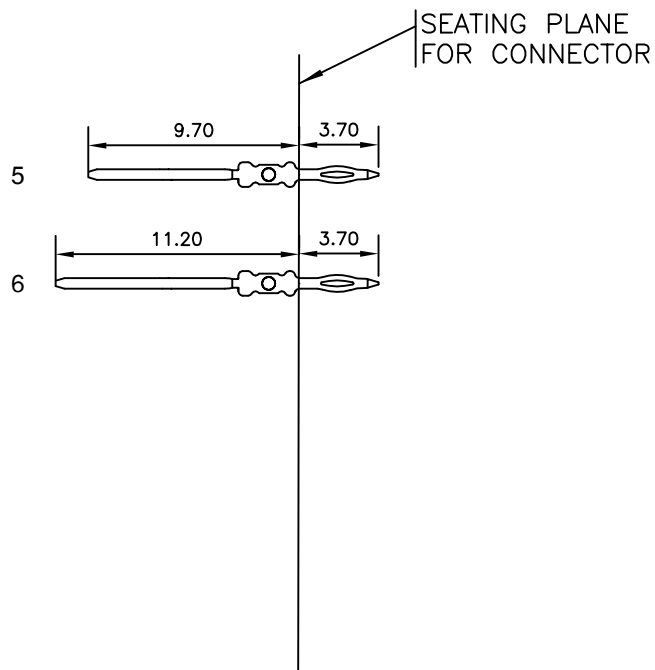
LOADING PATTERN MATING SIDE

f	6	6	6	6	6	6	6	6	6	6			6	6	6	6	6	6	6	6	6	6	6	6	6	6	6	
e	5	5	6	6	6	5	5	5	5	5			5	5	5	5	5	5	5	5	5	5	5	5	5	5	5	5
d	5	5	6	6	6	5	5	5	5	5			5	5	5	5	5	5	5	5	5	5	5	5	5	5	5	5
c	6	6	6	6	6	6	6	6	6	6			6	6	6	6	6	6	6	6	6	6	6	6	6	6	6	6
b	5	5	6	6	6	5	5	5	5	5			5	5	5	5	5	5	5	5	5	5	5	5	5	5	5	5
a	5	5	6	6	6	5	5	5	5	5			5	5	5	5	6	5	5	5	5	5	5	5	5	5	5	5
z	6	6	0	0	0	6	6	6	6	6			6	6	6	6	6	6	6	6	6	6	6	6	6	6	6	
P	0												1															
O	1												5															
S																												

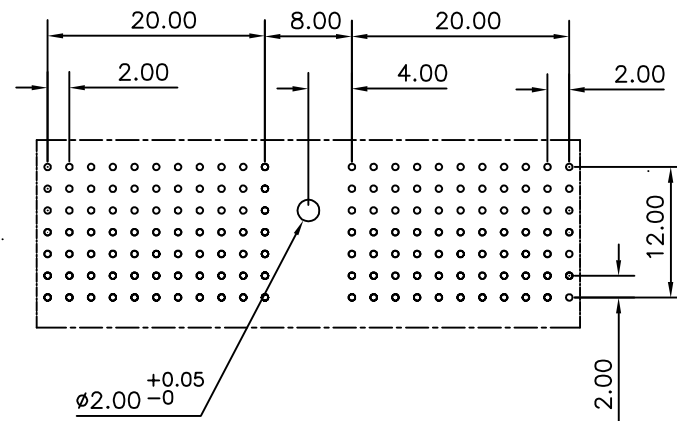
LOADED CONNECTOR ASSEMBLY (FOR EXAMPLE)



CONTACT OVERVIEW



LAY-OUT P.C.B.-HOLE



HM2P07PDW2A5 **LEAD FREE INDICATOR : LF = LEAD FREE (DIGIT 15 & 16)**  
**PLATING CODE (DIGIT 13 AND 14)**  
 (REF DRW NO. BS,C , 201844 , 003)

NOTES

1. THIS PRODUCT IS CSA APPROVED.
  2. THIS PRODUCT IS UL RECOGNIZED.
  3. MEASURED AT THE BOTTOM.
  4. MATERIAL CONTACT: PHOSPHORBRONZE  
HOUSING: CREAM WHITE GLASS FILLED POLYESTER UL-94V0
  5. CONNECTOR PRINTED WITH P/N AND DATE CODE.
  6. FOR ACTUAL CONTACT LOADINGS, SEE LOADING PATTERN MATING SIDE.
  7. SHAPE OF CONNECTOR HOUSING CAN ALTER DEPENDING ON PRODUCTION LOCATION
  8. THE PRODUCT (LF) MEETS EUROPEAN UNION DIRECTIVES AND OTHER COUNTRY REGULATIONS AS DESCRIBED IN GS-22-008
  9. FOR RECOMMENDED PTH DIMENSIONS REFER DRAWING : BS, A , 201572 , 001
- CATALOG NO: HM2P07PDW2A5----

mat'l. code SEE NOTE 4		surface ISO 1302 ✓	tolerance ISO 406 ISO 1101	projection 	product family MILLIPACS
ltr	ecn no	dr	date	tolerances unless otherwise specified	title
A	I03-0037	MKV	30/07/2003	angles linear .0±0.2	MPACS 5+2R STR HDR PF CONN TYPE A
B	I05-0182	MINI	03/10/2005	0°±1° .00±0.1	
C	I06-0077	MINI	22/06/2006	.000±.00X	
		dr	MINI K VANDANATH	30/07/2003	scale -
		enr	BIJU K PAUL	30/07/2003	
		chr	BIJU K PAUL	22/06/2006	
		appd	K V SIVADAS	22/06/2006	
sheet index	revision sheet	C	1		product Customer Drawing