

LEADED CERAMIC RESONATOR

HWZT-MD

*C = Pb inceramic (exempt per RoHS 2002/95/EC Annex (7)) *C/RoHS Compliant



FEATURES:

- Low resonant impedance
- Small size, Light weight.
- Low cost timing solution

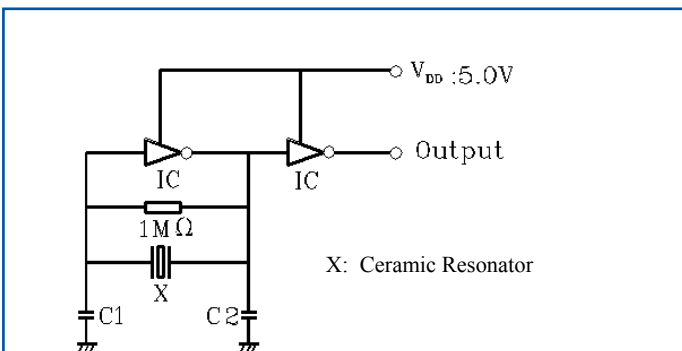
APPLICATIONS:

- Clock oscillation for microcontrollers
- Telephones
- Household electric appliances

STANDARD SPECIFICATIONS:

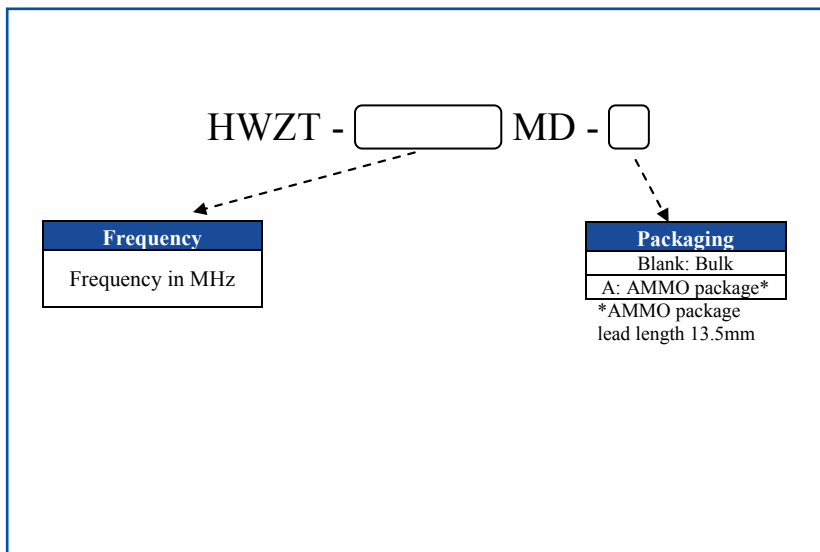
Parameters	Minimum	Typical	Maximum	Units	Notes
Frequency Range	2.00	-----	6.00	MHz	
	12.51	-----	60.00		
Resonant Impedance (Ro)	-----	-----	80	Ω	2.00 MHz ~ 2.99 MHz
	-----	-----	30		3.00 MHz ~ 6.00 MHz
	-----	-----	30		12.51 MHz ~ 60.00 MHz
Standard Load Capacitance for test circuit (C1=C2)	24	30	36	pF	2.00 MHz ~ 6.00 MHz
	24	30	36		12.51 MHz ~ 20.00 MHz
	12	15	18		20.01 MHz ~ 25.99 MHz
	4	5	6		26.00 MHz ~ 60.00 MHz
Frequency Tolerance	-0.5	-----	+0.5	%	
Frequency Stability	-0.3	-----	+0.3	%	-25°C to +85°C
Withstanding Voltage	-----	-----	50	Vdc	DC , 1 min
Rating Voltage	D.C. Voltage	-----	6	Vdc	
	A.C. Voltage	-----	15	Vp-p.	
Insulation Resistance	100	-----	-----	MΩ	10Vdc, 1min
Operation Temperature	-25	-----	+85	°C	
Storage Temperature	-55	-----	+85	°C	
Aging Rate (Fosc)	-0.3	-----	0.3	%	From initial value

TEST CONDITION AND TEST CIRCUIT:



Parts shall be measured under a condition (Temp.: 20±15°C, Humidity: 65±20% R.H.) unless the standard condition (Temp: 25±2°C, Humidity: 65±5% R.H.) is regulated to measure

OPTIONS & PART IDENTIFICATION:



LEADED CERAMIC RESONATOR

HWZT-MD

*C = Pb inceramic (exempt per RoHS 2002/95/EC Annex (7)) *C/RoHS Compliant

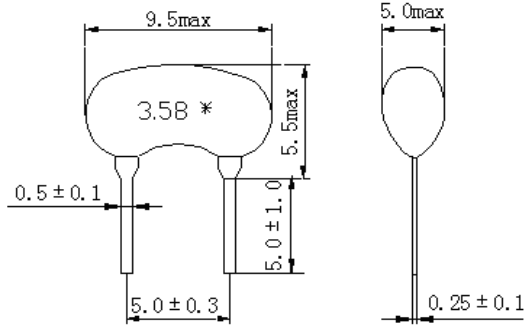


Size Varies

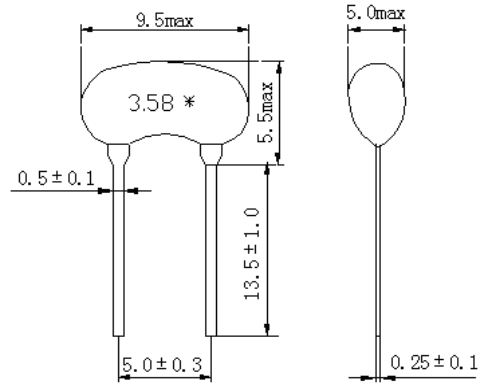
OUTLINE DRAWING:

Freq. Range: 2.00 ~ 6.00MHz (Low Profile)

Bulk:

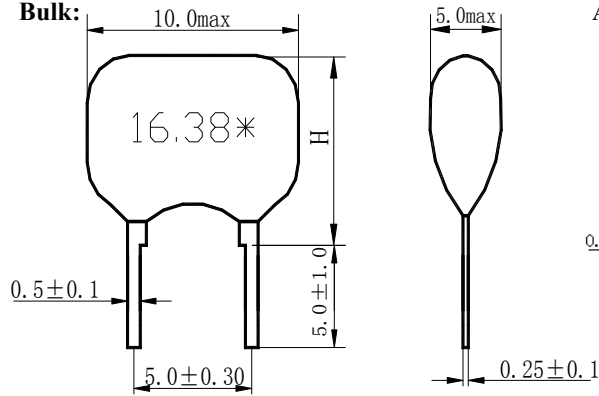


AMMO:

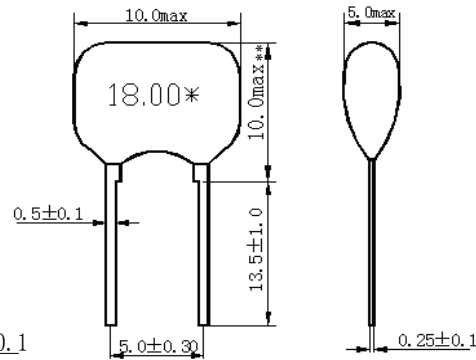


Freq. Range: 12.51 ~ 60.00MHz

Bulk:



AMMO:



H : 12.51 ~ 23.99MHz, 10.0mm max
24.00 ~ 31.99MHz, 7.5mm max
32.00 ~ 60.00MHz, 6.5mm max

*:EIAJ MONTHLY CODE

Dimension: mm

CAUTION

- (1) Do not apply excess mechanical stress to the component body or terminations. Do not attempt to re-form or bend the components as this will cause damage to the component.
- (2) This component is not hermetically sealed. Do not clean or wash the component.
- (3) Reflow Soldering: Do not use strong acidity flux, such as flux with chlorine content of greater than 0.2wt% during Reflow Soldering.
- (4) Do not expose the component to open flame.
- (5) This specification applies to the functionality of the component as a single unit.
- (6) Shelf Life: The warranted Shelf Life of this product is Six Months after the Delivery Date under the conditions of sealed, unopened, original packaging.
- (7) Storage Conditions: If the product is to be stored for a period greater than Six Months after the Delivery Date, it is recommended that customers confirm the solderability and characteristics for the product prior to use.
- (8) This product is not recommended for use in the following applications: Automotive, Medical, Military, Safety, or any other high-reliability, life dependant applications. Contact Abracon Corporation prior to using this product when in doubt.

ATTENTION: Abracon Corporation's products are COTS – Commercial-Off-The-Shelf products; suitable for Commercial, Industrial and, where designated, Automotive Applications. Abracon's products are not specifically designed for Military, Aviation, Aerospace, Life-dependant Medical applications or any application requiring high reliability where component failure could result in loss of life and/or property. For applications requiring high reliability and/or presenting an extreme operating environment, written consent and authorization from Abracon Corporation is required. Please contact Abracon Corporation for more information.

ABRACON IS
ISO9001:2008
CERTIFIED



Visit www.abracon.com for Terms & Conditions of Sale **Revised: 08.01.12**
30332 Esperanza, Rancho Santa Margarita, California 92688
tel 949-546-8000 | fax 949-546-8001 | www.abracon.com