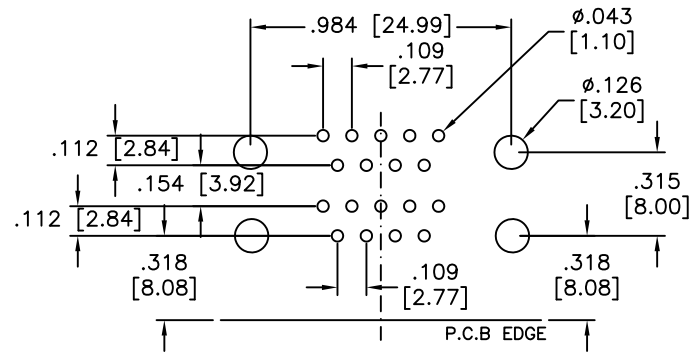
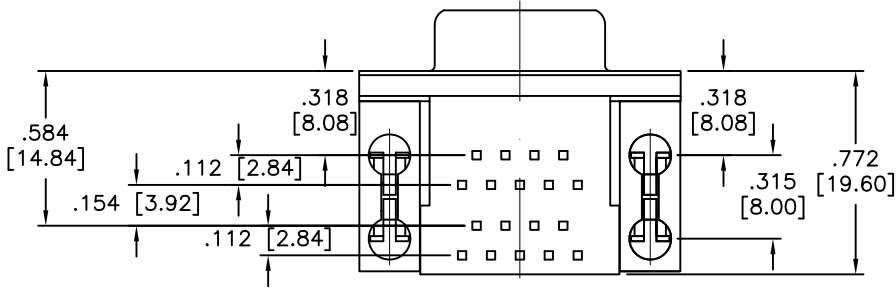
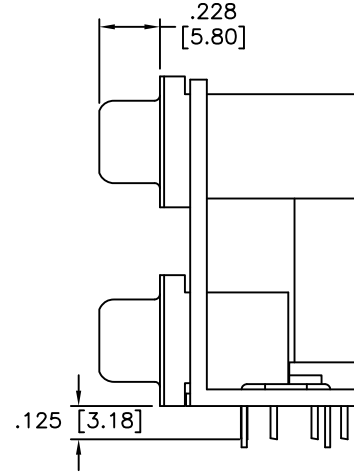
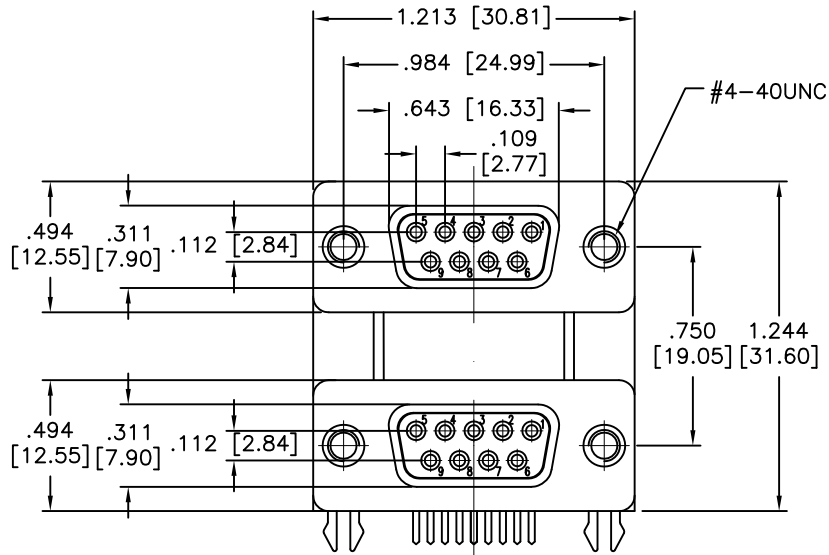


APPROVED: _____
 DATE: _____ TITLE: _____

Rev	AWO #	Description	Date	Appr
-		RELEASED	05/31/12	
A		UPDATE DIM.	1/23/18	AY/MY



RECOMMENDED PCB LAYOUT

SPECIFICATIONS:

Material:
 Insulator: PBT, rated UL 94V-0
 Insulator color: Black
 Contacts: Copper Alloy
 Shell: SPCC, Nickel plated
 Boardlock: Copper Alloy, Tin, plated
 Bracket: Zinc Alloy, Nickel plated
 Plating:
 Gold over Nickel underplate on contact area,
 Tin over Nickel underplate on solder tails
 Electrical:
Voltage: 250 VAC max
Current rating: 3 Amp per Contact
Contact resistance: 25 mohms max
Insulation resistance: 5,000 Mohms min
Dielectric withstanding voltage: 1000 VAC for 1 minute
 Temperature Rating:
Operating temperature: -55°C to +85°C
 Environmental:
Lead free, RoHS compliant



UNLESS OTHERWISE SPECIFIED
 ALL DIMENSIONS ARE INCHES [MM]
 TOLERANCES: EXCEPT AS NOTED

INCHES		HOLES	
.X	± .10	Ø.X	± .10
.XX	± .020	Ø.XX	± .015
.XXX	± .015	Ø.XXX	± .010

ADAM
TECH
INTERCONNECTS

909 Rahway Avenue,
 Union, NJ 07083
 Phone: 908-687-5000
 Fax: 908-687-5710

APPROVALS		DATE
DRAWN	TW	05/31/12
CHECKED	AY	05/31/12
APPROVED		

TITLE DUAL PORT D-SUB, RIGHT ANGLE, FEMALE 9 PIN / FEMALE 9 PIN, SEL-GOLD PLATED		
SIZE X	PART NO. DPD-09-00-B3	REV. A
REF: S00027T	SCALE: NTS	SHEET 1 OF 1