

6

5

4

3

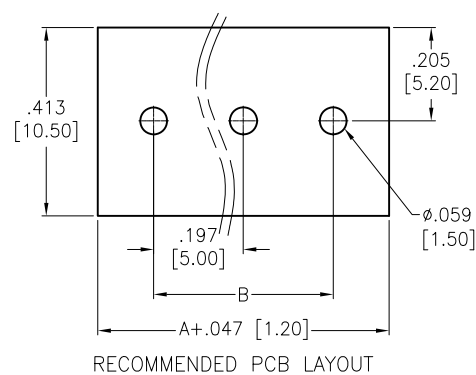
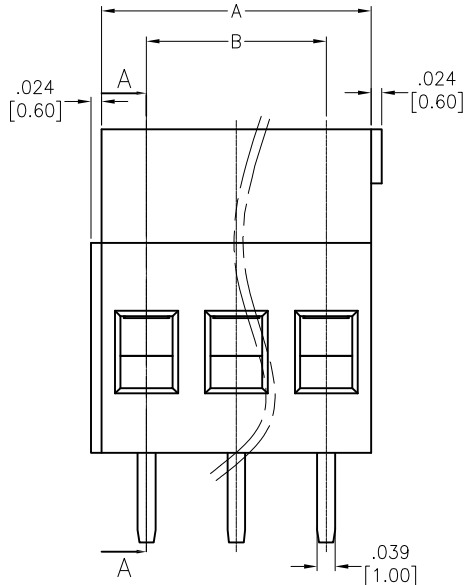
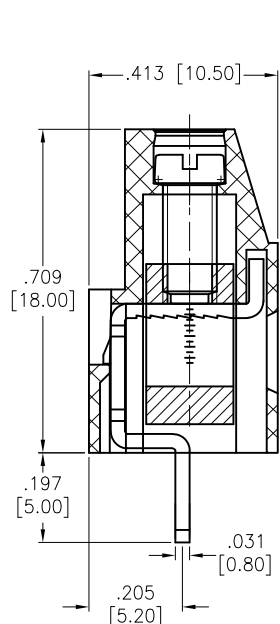
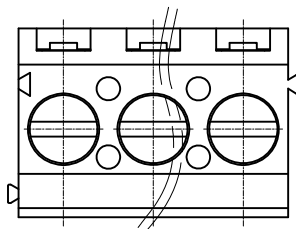
2

1

APPROVED: _____

DATE: _____ TITLE: _____

| Rev | AWO # | Description | Date | Appr |
|-----|-------|-------------|---------|------|
| - | | RELEASED | 8/25/14 | |



SPECIFICATIONS:

- Material:
- Insulator: PA66, rated UL 94V-0
- Insulator color: Green
- Screw: Steel, M3.0/Zinc plated
- Cage: Brass, Nickel plated
- Pin Header: Brass, Tin plated
- Electrical:
- Voltage rated: 300 VAC
- Current rated: 16 Amps
- Contact resistance: 20 mΩ
- Insulation resistance: 500 MΩ @ 500 VDC
- Withstanding voltage: 2000V AC/1 Min
- Mechanical:
- Solid wire: 26-12AWG 2.5mm²
- Torque (Lb-In): 0.5Nm (4.5lb-in)
- Temperature Rating:
- Operating temperature: -40°C to +105°C
- Environmental:
- Lead free, RoHS compliant.

SECTION A-A

Positions: 02 thru 24
 A = .197 [5.00] x No. of Positions
 B = .197 [5.00] x No. of Spaces

UNLESS OTHERWISE SPECIFIED
 ALL DIMENSIONS ARE INCHES [MM]
 TOLERANCES: EXCEPT AS NOTED

| INCHES | | HOLES | |
|--------|--------|-------|--------|
| .X | ± .10 | Ø.X | ± .10 |
| .XX | ± .020 | Ø.XX | ± .015 |
| .XXX | ± .015 | Ø.XXX | ± .010 |

ADAM TECH

909 Rahway Avenue, Union, NJ 07083
 Phone: 908-687-5000 Fax: 908-687-5710

| APPROVALS | | DATE |
|-----------|----|---------|
| DRAWN | AY | 8/25/14 |
| CHECKED | SC | 8/25/14 |
| APPROVED | | |

| | | |
|-------------------------------|-------------|-------------------------|
| TITLE | | |
| EURO BLOCK, .197 [5.00] PITCH | | |
| SIZE | PART NO. | REV. |
| X | EB147A-XX-C | - |
| REF: | S00067C | SCALE: NTS SHEET 1 OF 1 |



6

5

4

3

2

1