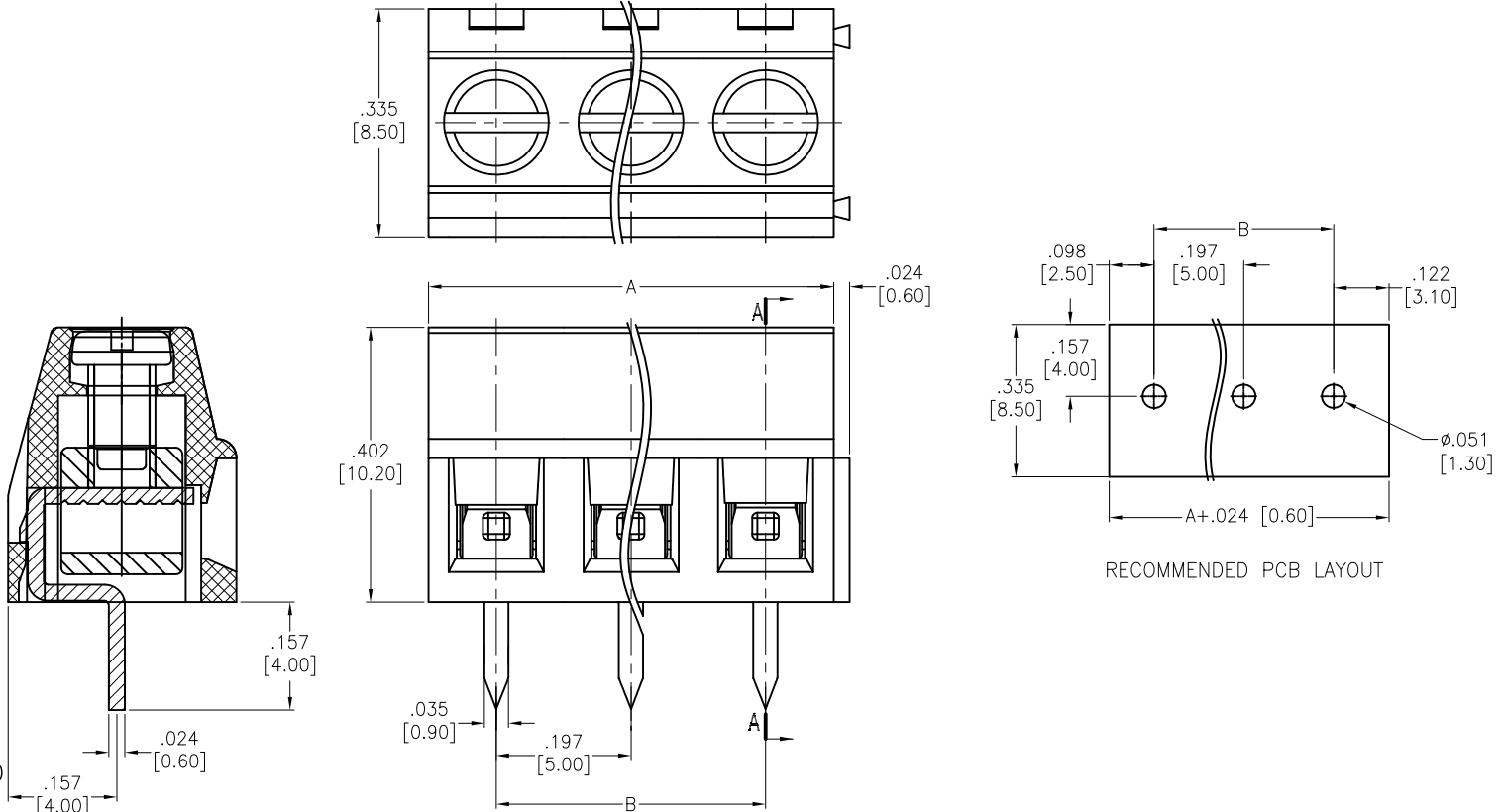


APPROVED: \_\_\_\_\_  
 DATE: \_\_\_\_\_ TITLE: \_\_\_\_\_

| Rev | AWO # | Description   | Date    | Appr  |
|-----|-------|---------------|---------|-------|
| -   |       | RELEASED      | 1/17/14 |       |
| A   |       | REVISED SHAPE | 6/26/14 | AY/SY |



**SPECIFICATIONS:**

Material:  
 Insulator: PA66, rated UL 94V-0  
 Insulator color: Green  
 Screw: M2.5, Steel, Zinc plated.  
 Contact: Brass, Tin plated.  
 Cage: Brass, Nickel plated.  
 Electrical:  
 Operation voltage: 300 VAC  
 Current rating: 8 Amps  
 Contact Resistance: 20 mohms max.  
 Insulation resistance: 500 Mohms min @DC 1000V  
 Dielectric withstanding voltage: 2000 VAC for 1 minut  
 Mechanical:  
 Torque: 0.4Nm(3.5lb-in)  
 Wire Range: 26-16 AWG 1.5mm<sup>2</sup>  
 Wire strip length: 6-7mm  
 Environmental:  
 Operating temperature: -40°C to +105°C  
 Environmental:  
 Lead free, RoHS compliant.



Poles: 2 thru 24  
 A = .197 [5.00] X No. of Positions  
 B = .197 [5.00] x No. of Spaces

|   |            |  |     |
|---|------------|--|-----|
| UNLESS OTHERWISE SPECIFIED<br>ALL DIMENSIONS ARE MM [INCHES]<br>TOLERANCES: EXCEPT AS NOTED |            | <b>ADAM TECH</b><br>909 Railway Avenue, Union, NJ 07083<br>Phone: 908-687-5000 Fax: 908-687-5710 |     |
| INCHES HOLES<br>.X ± .10 Ø.X ± .10<br>.XX ± .020 Ø.XX ± .015<br>.XXX ± .015 Ø.XXX ± .010    |            |  |     |
| APPROVALS   |            | DATE   |     |
| DRAWN   | AY         | 1/17/14  |     |
| CHECKED   | SY         | 1/17/14  |     |
| APPROVED  |            |  |     |
| TITLE   |            | EURO BLOCK, .197 [5.00] PITCH  |     |
| SIZE  | PART NO.   | REV.   |     |
| X   | EB21A-XX-C | A  |     |
| REF:  | S00067C    | SCALE:   | NTS |
|   |            | SHEET 1 OF 1   |     |

6

5

4

3

2

1

6

5

4

3

2

1