

6

5

4

3

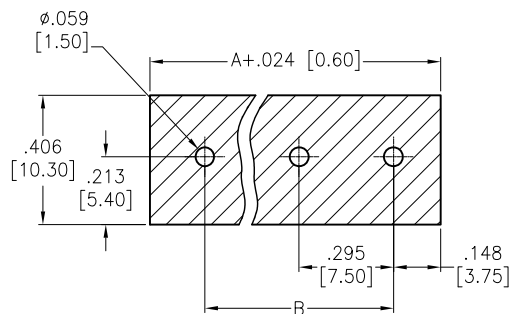
2

1

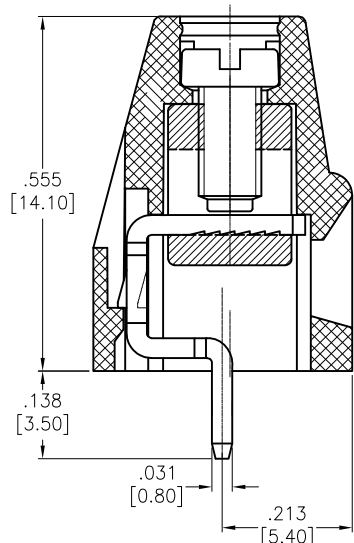
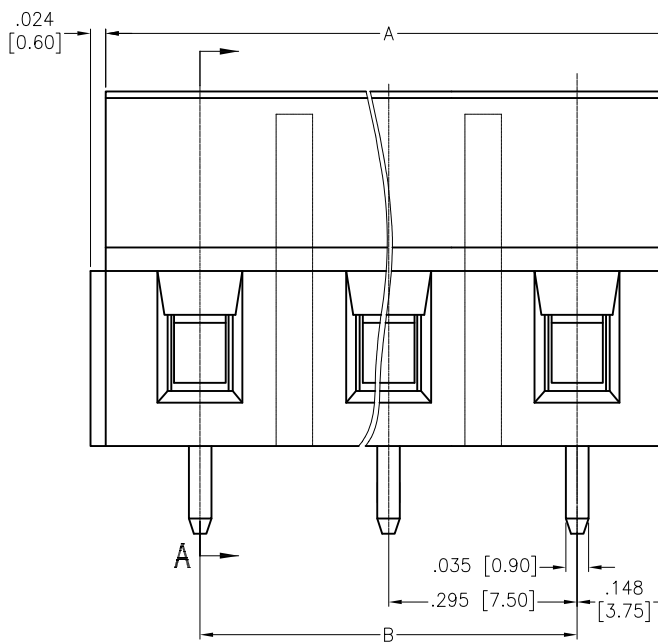
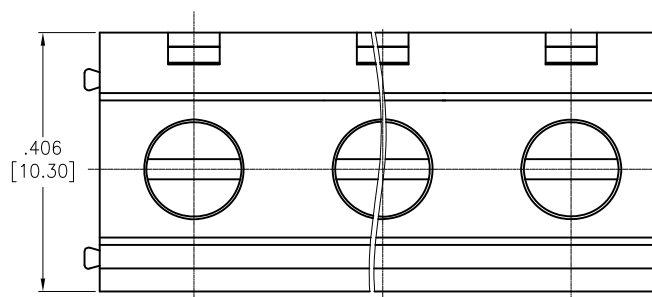
APPROVED: _____

DATE: _____ TITLE: _____

Rev	AWO #	Description	Date	Appr
-		RELEASED	9/3/14	



RECOMMENDED PCB LAYOUT



SECTION A-A

SPECIFICATIONS:

Material:
 Insulator: PA66, rated UL 94V-0
 Insulator Color: Green
 Contact: Brass, Tin plated.
 Screw: Steel, M2.5, Zn plated.
 Cage: Brass, Ni plated

Electrical:
 Operation voltage: 300 VAC max
 Current rating: 10 Amps
 Contact resistance: 20 mohms max
 Insulation resistance: 500 Mohms min @ 500 VDC
 Dielectric withstanding voltage: 2,000 VAC for 1 minute

Mechanical:
 Wire Range: 22~12AWG [2.5mm²]
 Wire strip length: 6~7mm
 Torque: 0.4Nm (3.6Lb-in)
 Temperature Rating:
 Operating temperature: -40°C to +105°C
 Environmental:
 Lead free, RoHS compliant.



Positions: 02 thru 24
 A = .197" [7.50] x No. of positions
 B = .197" [7.50] x No. of spaces

UNLESS OTHERWISE SPECIFIED ALL DIMENSIONS ARE INCHES [MM] TOLERANCES: EXCEPT AS NOTED			
INCHES		HOLES	
.X	± .10	Ø.X	± .10
.XX	± .020	Ø.XX	± .015
.XXX	± .015	Ø.XXX	± .010

ADAM TECH

909 Rahway Avenue, Union, NJ 07083
 Phone: 908-687-5000 Fax: 908-687-5710

APPROVALS		DATE
DRAWN	AY	9/3/14
CHECKED	MW	9/3/14
APPROVED		

TITLE NODULAR EURO BLOCK, VERTICAL, .197" [7.50] PITCH, COLOR GREEN		
SIZE X	PART NO. EBAG-XX-M	REV. -
REF: S00067C	SCALE: NTS	SHEET 1 OF 1

6

5

4

3

2

1