

INTRODUCTION:

Adam Tech HFCS Series .050" IDC Sockets are low profile, precision designed flat cable sockets that feature either .050" x .100" centerlines or .050" x .050" centerlines. These sockets quickly and easily mass terminate flat cable in one simple step. Their versatility allows them to mate with a multitude of .050" pitch pin headers. Our superior selectively gold plated contact design provides a smooth high pressure wiping action to ensure excellent continuity. They are used with a single layer of .025" flat cable. Their small size, light weight and high density make them ideal for compact and limited space applications.

FEATURES:

- .050" x .050" or .050" x .100"
- Low Profile and High Density
- Uses Single layer .025" Flat Cable
- Quickly and easily mass terminates standard Flat Cable
- Smooth High Pressure Wiping Contacts

MATING CONNECTORS:

Adam Tech .050" HBHR series box headers or HPH2 series pin headers

SPECIFICATIONS:

Material:

Insulator: PBT, glass reinforced, rated UL94V-0
 Insulator Color: Black
 Contacts: Phosphor Bronze

Contact Plating:

Tin over copper underplate overall

Electrical:

Operating voltage: 250V AC max.
 Current rating: 1 Amp max.
 Contact resistance: 20 mΩ max. Initial
 Insulation resistance: 5000 MΩ min.
 Dielectric withstanding voltage: 1000V AC for 1 minute

Mechanical:

Insertion force: 0.312 lbs per contact max.
 Withdrawal force: 0.094 lbs per contact min.
 Recommended wire size: 28 Awg stranded
 Cable retention: 22 lbs. min axial force per inch.
 Mating durability: 500 cycles min.

Temperature Rating:

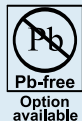
Operating temperature: -40°C to +105°C

PACKAGING:

Anti-ESD plastic trays

SAFETY AGENCY APPROVALS:

UL Recognized File No. E224053
 CSA Certified File No. LR1578596



ORDERING INFORMATION



SERIES INDICATOR

- ***HFCS** = Low profile .050" x .100" IDC Socket for single layer .025" Flat Cable
- ***HFCS-A** = Low profile .050" x .050" IDC Socket for single layer .025" Flat Cable
- ****HFDP** = .050" Paddleboard Connector for single layer .025" Flat Cable
- ****FDH** = 4 Row Transition plug

PLATING

- SG** = Selective gold plating in contact area, nickel plating in termination area
- T** = Tin plated (HFDP)

POSITIONS

- HFCS:** 10, 20, 30, 40, 50, 60, 70, 80, 90, 100
- HFCS-A:** 10, 20, 26, 34, 40, 50
- HFDP:** 30, 50, 68, 72, 80, 100
- FDH:** 10, 14, 16, 20, 26, 34, 40, 50, 60

* Denotes RoHS compliant lead-free product
 ** Requires -RC option below to be RoHS compliant

OPTIONS

Add designator(s) to end of part number
RC = RoHS compliant lead-free product with Hi-Temp insulator

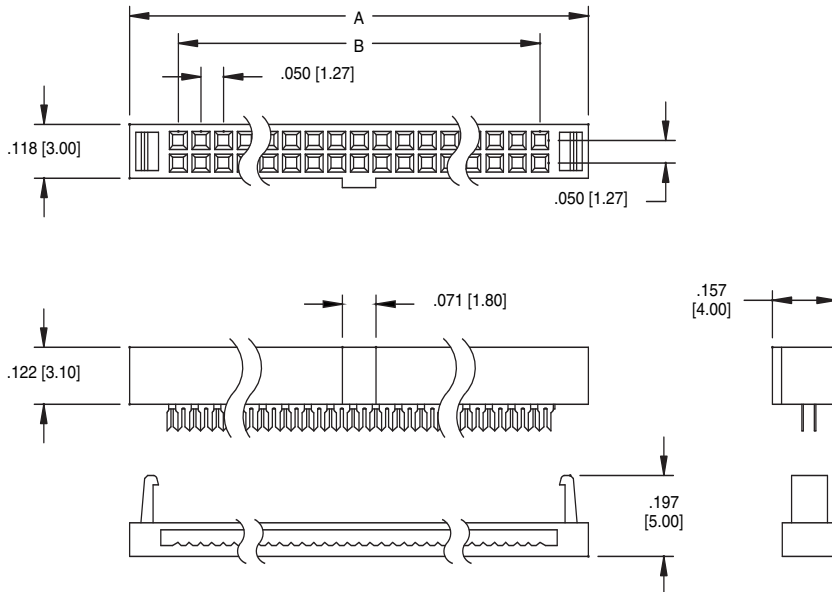
.050" IDC SOCKET

.050" X .050" & .050" X .100"
DUAL ROW FLAT CABLE SOCKETS
HFCS SERIES

HFCS-A
.050" X .050"



HFCS-A-34-SG

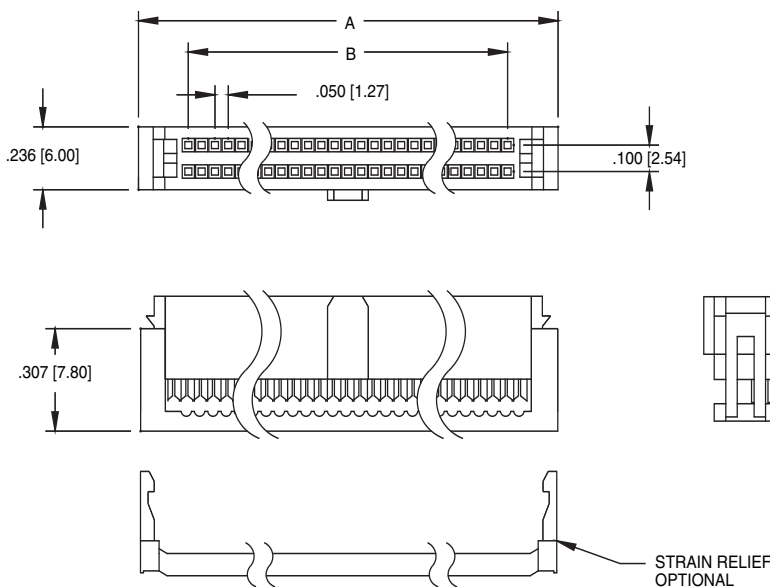


PART No. & POSITIONS	DIMENSIONS	
	A	B
HFCS-A-10	.413 [10.50]	.450 [5.08]
HFCS-A-20	.665 [16.90]	.450 [11.43]
HFCS-A-26	.815 [20.70]	.600 [15.24]
HFCS-A-34	1.016 [25.80]	.800 [20.32]
HFCS-A-40	1.165 [29.60]	.950 [24.13]
HFCS-A-50	1.413 [35.90]	1.200 [30.48]

HFCS
.050" X .100"



HFCS-40-SG



PART No. & POSITIONS	Dimensions	
	A	B
HFCS-10	0.200 (11.10)	0.437 (5.08)
HFCS-20	0.450 (17.45)	0.687 (11.43)
HFCS-30	0.700 (23.80)	0.937 (17.78)
HFCS-40	0.950 (30.15)	1.187 (24.13)
HFCS-50	1.200 (36.50)	1.437 (30.48)
HFCS-60	1.450 (42.85)	1.687 (36.83)
HFCS-70	1.700 (49.20)	1.937 (43.18)
HFCS-80	1.950 (55.55)	2.187 (49.53)
HFCS-90	2.200 (61.90)	2.437 (55.88)
HFCS-100	2.450 (68.25)	2.687 (62.23)

INTRODUCTION:

Adam Tech FCS Series .100" IDC Sockets are extremely popular, low profile, precision designed flat cable sockets that feature .100" pin to pin and row to row centerlines. These sockets quickly and easily mass terminate flat cable in one simple step. Their versatility allows them to mate with a multitude of .025" sq. post pin headers. Our superior selectively gold plated contact design provides a smooth high pressure wiping action to ensure excellent continuity. They are used with a single layer of .050" flat cable. Their small size, light weight, low cost and high density make them ideal for use in many applications.

FEATURES:

- Choice of Single or Dual beam contact design
- Low Profile and High Density
- Uses Single layer .050" standard Flat Cable
- Quickly and easily mass terminates Flat Cable
- Smooth High Pressure Wiping Contacts

MATING CONNECTORS:

Adam Tech .100" BHR series box headers and PH2 series pin headers

SPECIFICATIONS:

Material:

Insulator: PBT, glass reinforced, rated UL94V-0
Insulator Color: Black
Contacts: Phosphor Bronze

Contact Plating:

Gold flash (30u" optional) over nickel underplate on contact area, tin over copper underplate on IDC area

Electrical:

Operating voltage: 250V AC max.
Current rating: 1 Amp max.
Contact resistance: 30 mΩ max. initial
Insulation resistance: 1000 MΩ min.
Dielectric withstanding voltage: 500V AC for 1 minute

Mechanical:

Insertion force: FCS-D2: 0.5 lbs per contact max.
Withdrawal force: FCS-D2: 0.094 lbs per contact min.
Recommended wire size: 28 Awg stranded
Cable retention: 28 lbs. min axial force per inch.
Mating durability: 500 cycles min.

Temperature Rating:

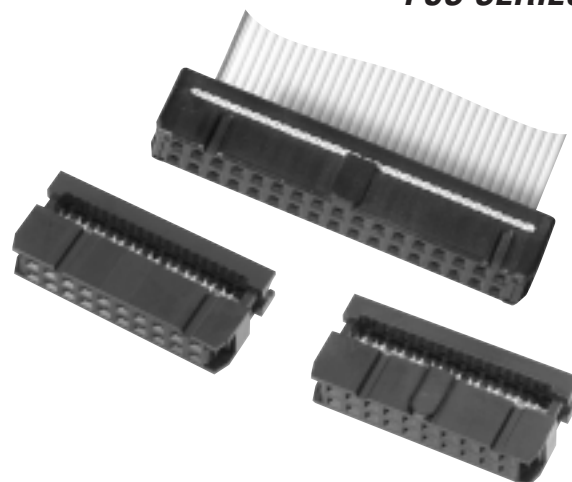
Operating temperature: -40°C to +105°C

PACKAGING:

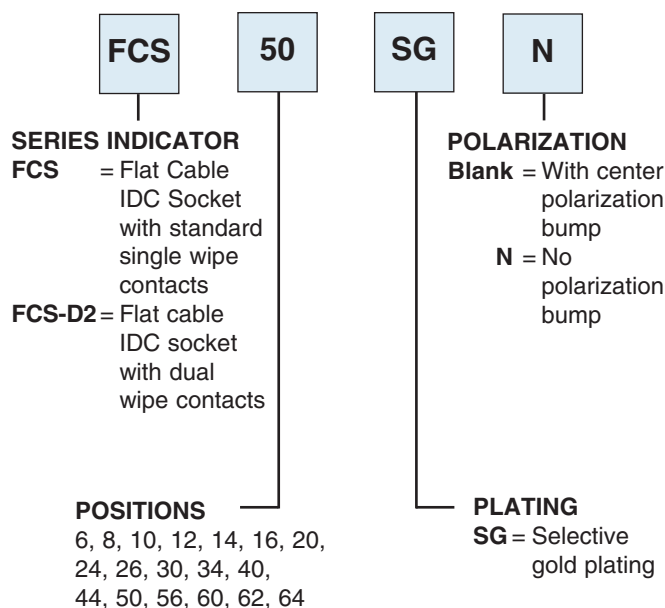
Anti-ESD plastic trays

SAFETY AGENCY APPROVALS:

UL Recognized File No. E224053
CSA Certified File No. LR1578596



ORDERING INFORMATION



Note: Mating box headers for this series located on page 221

STRAIN RELIEF:

FSR - (No. of Positions)

PULL TABS:

PT - (No. of positions)

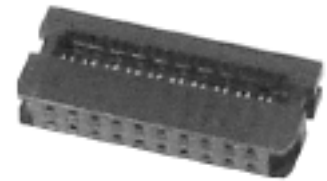
KEYING PLUGS:

FCS-K (Key plugs can also be molded into connector, consult factory)

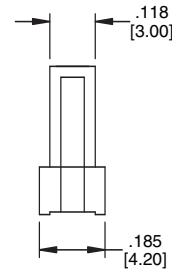
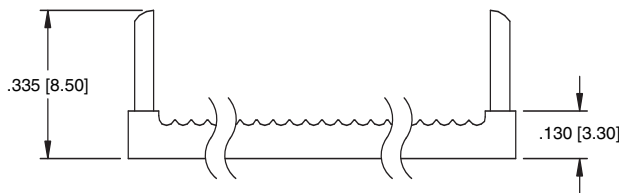
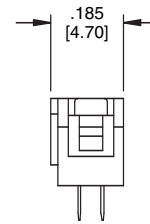
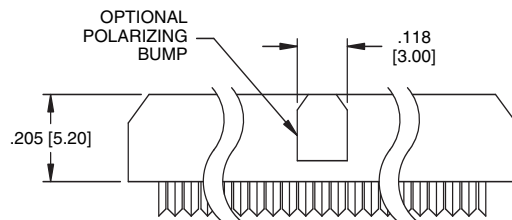
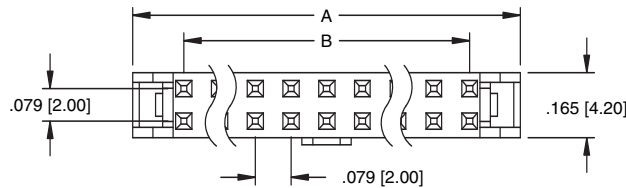
OPTIONS:

Add designator(s) to end of part number
30 = 30 μin gold in contact area
GY = Gray color insulator

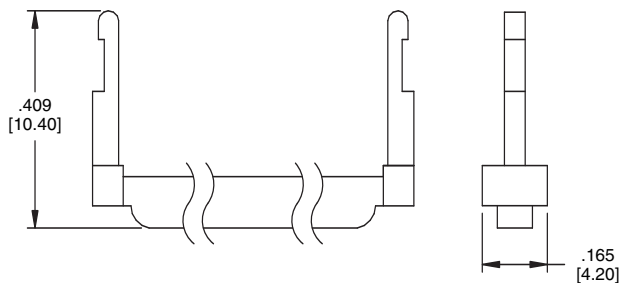
2FCS



2FCS-20-SG



2FCS STRAIN RELIEF: 2FSR-XX (XX = NO. OF POSITIONS)



PART No. & POSITIONS	DIMENSIONS	
	A	B
2FCS-20	.992 [25.10]	.709 [18.00]
2FCS-22	1.071 [27.20]	.787 [20.00]
2FCS-24	1.150 [29.20]	.866 [22.00]
2FCS-26	1.228 [31.00]	.945 [24.00]
2FCS-34	1.543 [39.20]	1.260 [32.00]
2FCS-36	1.622 [41.20]	1.339 [34.00]
2FCS-40	1.780 [45.10]	1.496 [38.00]
2FCS-44	1.937 [49.20]	1.654 [42.00]
2FCS-50	2.773 [55.10]	1.890 [48.00]
2FCS-60	2.567 [65.20]	2.283 [58.00]
2FCS-68	2.882 [73.20]	2.598 [66.00]

INTRODUCTION:

Adam Tech 2FCS Series 2.00mm IDC Sockets are low profile, precision designed flat cable sockets that feature 2.00mm pin to pin and row to row centerlines. These sockets quickly and easily mass terminate flat cable in one simple step. Their versatility allows them to mate with a multitude of 2.00mm pin headers. Our superior selectively gold plated contact design provides a smooth high pressure wiping action to ensure excellent continuity. They are used with a single layer of .050" flat cable. Their small size, light weight and high density make them ideal for compact and limited space applications.

FEATURES:

Low Profile and High Density
Uses Single layer .050" Flat Cable
Quickly and easily mass terminates standard Flat Cable

MATING CONNECTORS:

Adam Tech 2.0mm 2BHR series box headers and 2PH series pin headers

SPECIFICATIONS:

Material:

Insulator: PBT, glass reinforced, rated UL94V-0
Insulator Color: Black
Contacts: Phosphor Bronze

Contact Plating:

Gold flash (30u" optional) over nickel underplate on contact area, tin over copper underplate on IDC area

Electrical:

Operating voltage: 250V AC max.
Current rating: 1 Amp max.
Contact resistance: 20 mΩ max. initial
Insulation resistance: 3000 MΩ min.
Dielectric withstanding voltage: 500V AC for 1 minute

Mechanical:

Insertion force: 0.661 lbs per contact max.
Withdrawal force: 0.044 lbs per contact min.
Recommended wire size: 30 - 28 Awg stranded
Cable retention: 24 lbs. min axial force per inch.
Mating durability: 500 cycles min.

Temperature Rating:

Operating temperature: -40°C to +105°C

PACKAGING:

Anti-ESD plastic trays

SAFETY AGENCY APPROVALS:

UL Recognized File No. E224053
CSA Certified File No. LR1578596



ORDERING INFORMATION

2FCS

40

SG

SERIES INDICATOR
2FCS = 2.00mm
Flat Cable
IDC Socket

PLATING OPTIONS
SG = Selectively
Gold-Plated

POSITIONS
20, 22, 24, 26, 34,
36, 40, 44, 50, 60, 68

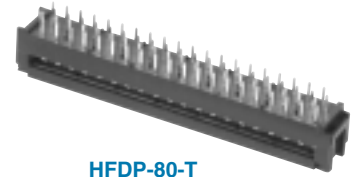
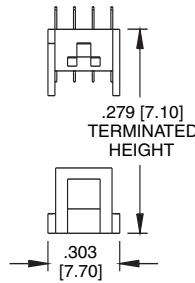
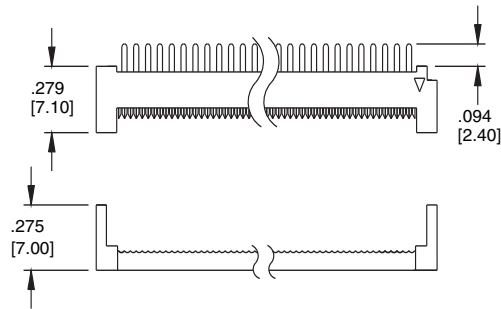
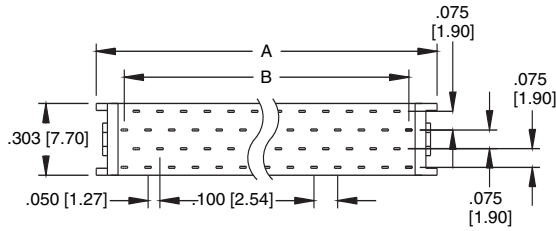
NOTE:

Mating Box Headers for this series located on page 208

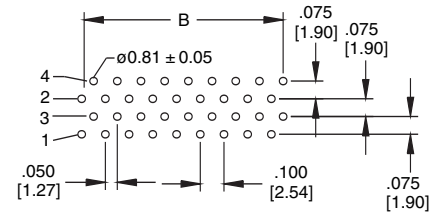
OPTIONS:

Add designator(s) to end of part number
30 = 30 μin gold plating in contact area
PB = Polarizing bump

HFDP



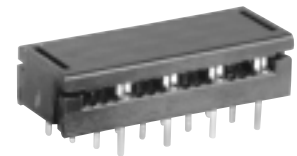
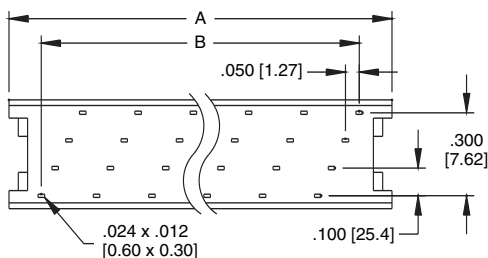
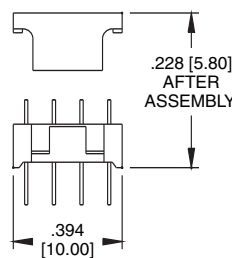
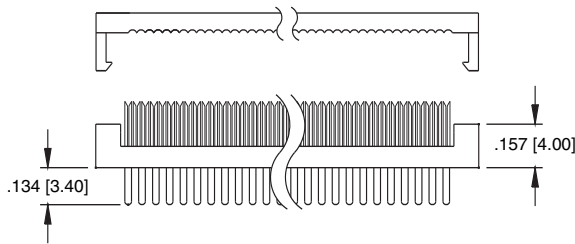
HFDP-80-T



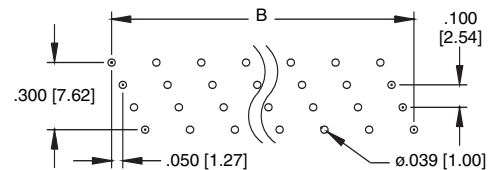
Recommended PCB Layout

Part No.	A		B	
	in	mm	in	mm
HFDP-30	0.938	23.83	0.700	17.78
HFDP-50	1.438	36.53	1.200	30.48
HFDP-68	1.888	47.96	1.650	41.91
HFDP-80	2.188	55.58	1.950	49.53
HFDP-100	2.688	68.28	2.450	62.23

FDH



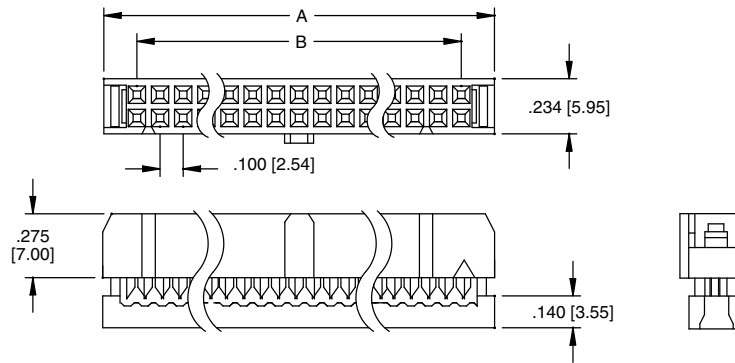
FDH-34-T



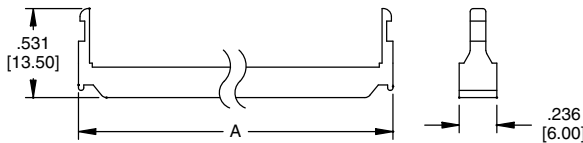
Recommended PCB Layout

Part No.	A		B	
	in	mm	in	mm
FDH-10	.689	17.50	.450	11.43
FDH-14	.889	22.58	.650	16.51
FDH-16	.989	25.12	.750	19.05
FDH-20	1.189	30.20	.950	24.13
FDH-26	1.489	37.82	1.250	31.75
FDH-34	1.889	47.98	1.650	41.91
FDH-40	2.189	55.60	1.950	49.53
FDH-50	2.689	68.30	2.450	62.23
FDH-60	3.189	81.00	2.950	74.93

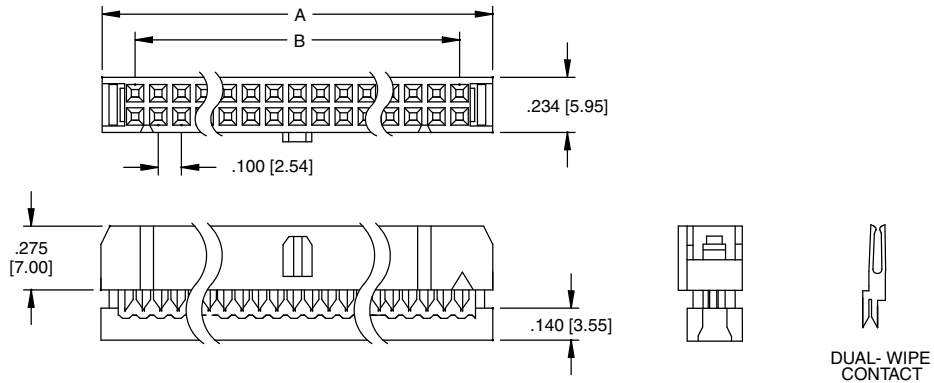
FCS - SINGLE WIPE CONTACT



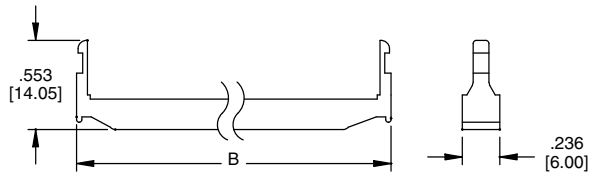
FCS STRAIN RELIEF: FSR-XX (XX = NO. OF POSITIONS)



FCS-D2 DUAL WIPE CONTACT



FCS-D2 STRAIN RELIEF: FSR-D2-XX (XX = NO. OF POSITIONS)



DIMENSIONS

POSITIONS	6	8	10	12	14	16	20	24	26	30	34	40	44	50	56	60	62	64
B	0.200 (5.08)	0.300 (7.62)	0.400 (10.16)	0.500 (12.70)	0.600 (15.24)	0.700 (17.78)	0.900 (22.86)	1.100 (27.94)	1.200 (30.48)	1.400 (35.56)	1.600 (40.64)	1.900 (48.26)	2.100 (53.34)	2.400 (60.96)	2.700 (68.58)	2.900 (73.66)	3.000 (76.20)	3.100 (78.74)
A	0.480 (12.19)	0.580 (14.73)	0.680 (17.27)	0.780 (19.81)	0.880 (22.35)	0.980 (24.89)	1.180 (29.97)	1.380 (35.05)	1.480 (37.59)	1.680 (42.67)	1.880 (47.75)	2.180 (55.37)	2.380 (60.45)	2.680 (68.07)	2.980 (75.69)	3.180 (80.77)	3.280 (83.31)	3.380 (85.85)