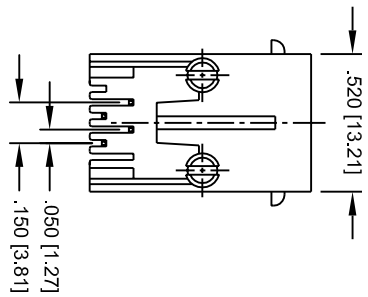
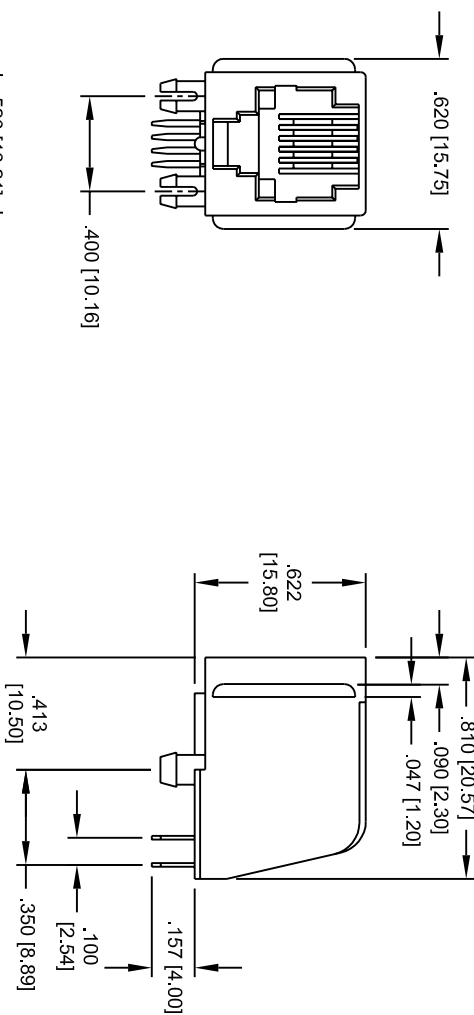
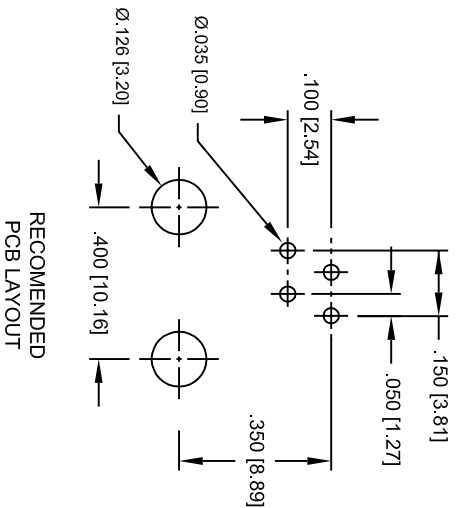


Rev	AWO #	Description	Date	Appr
-		RELEASED	12/1/04	

APPROVED: _____
 DATE: _____ TITLE: _____



X	PLATING
0	15 µin Gold
1	30 µin Gold
2	50 µin Gold



RECOMMENDED
PCB LAYOUT

D
C
B
A

D
C
B
A

SPECIFICATIONS:
 Material: Insulator: PBT, rated UL 94V-0
 Insulator color: Black
 Contacts: Phosphor Bronze
 Plating:
 Gold over Nickel underplate on contact area, Tin over Copper underplate on PCB tails
 (See chart for gold thickness)
 Electrical:
 Operating voltage: 150 VAC max
 Current rating: 1.5 Amps max
 Contact resistance: 20 mohms max
 Insulation resistance: 500 Mohms min @ 500 VDC
 Dielectric withstanding voltage: 1000 VAC for 1 minute
 Temperature Rating:
 Operating temperature: -40°C to +125°C

A

A

UNLESS OTHERWISE SPECIFIED
 ALL DIMENSIONS ARE INCHES [MM]
 TOLERANCES: EXCEPT AS NOTED
 INCHES HOLEES

.X	± .10	ØXX	± .10
.XX	± .020	ØXXX	± .015
.XXX	± .015	ØXXXX	± .010

APPROVALS

DRAWN	SS	10/4/04
CHECKED		
APPROVED		

ADAM TECH
 909 Rahway Avenue, Union, NJ 07083
 Phone: 908-687-5000 Fax: 908-687-5710

MODULAR TELEPHONE JACK, 6P4C
 RIGHT ANGLE, PCB

TITLE	SIZE	PART NO.	REV.
	X	MTJ-641X1	-

REF: SCALE: NTS SHEET 1 OF 1

6 5 4 3 2 1