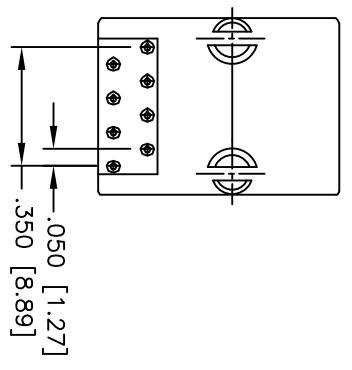
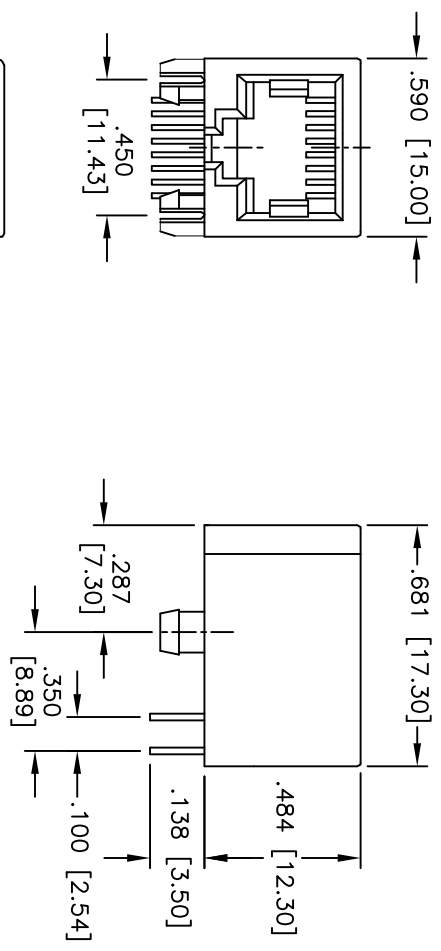
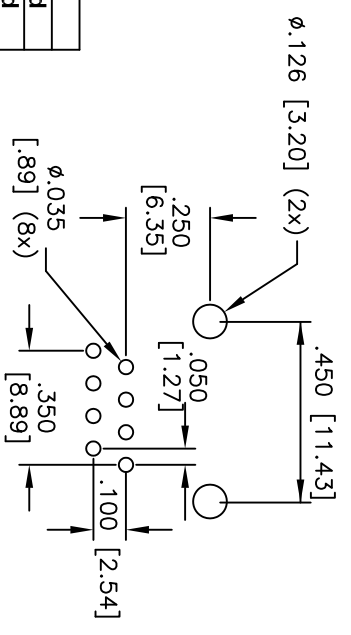


Rev	AWO #	Description	Date	Appr
-		RELEASED	10/4/04	

APPROVED: \_\_\_\_\_  
 DATE: \_\_\_\_\_ TITLE: \_\_\_\_\_



X	PLATING
0	15 µin Gold
1	30 µin Gold
2	50 µin Gold



PCB LAYOUT

**SPECIFICATIONS:**

**Material:**

Insulator: PBT, rated UL 94V-0  
 Insulator color: Black  
 Contacts: Phosphor Bronze

**Plating:**

Gold over Nickel underplate on contact area, Tin over Copper underplate on PCB tails

**Electrical:**

Operating voltage: 150 VAC max  
 Current rating: 1.5 Amps max  
 Contact resistance: 20 mohms max  
 Insulation resistance: 500 Mohms min @ 500 VDC  
 Dielectric withstanding voltage: 1000 VAC for 1 minute  
 Temperature Rating:  
 Operating temperature: -40°C to +125°C

Environmental:  
 Lead free, RoHS Compliant



UNLESS OTHERWISE SPECIFIED  
 ALL DIMENSIONS ARE INCHES [MM]  
 TOLERANCES: EXCEPT AS NOTED

INCHES	HOLES
.X ± .10	ØX ± .10
.XX ± .020	ØXX ± .015
.XXX ± .015	ØXXX ± .010

APPROVALS	DATE	TITLE
DRAWN	SS	10/4/04
CHECKED		
APPROVED		

ADAM TECH  
 909 Rahway Avenue, Union, NJ 07083  
 Phone: 908-687-5000 Fax: 908-687-5710

MODULAR TELEPHONE JACK, 8P8C  
 RIGHT ANGLE, PCB

SIZE: X PART NO.: MTJ-889X1  
 REF: SCALE: NTS SHEET 1 OF 1