

6

5

4

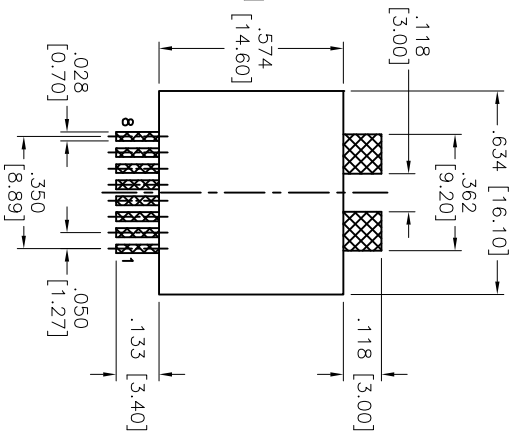
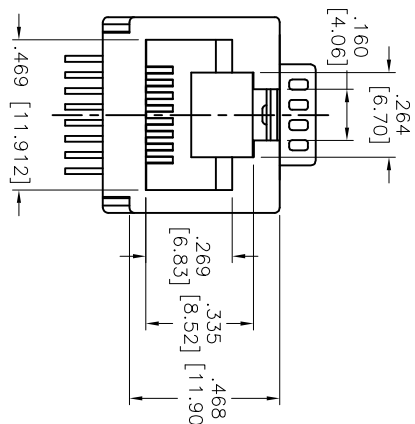
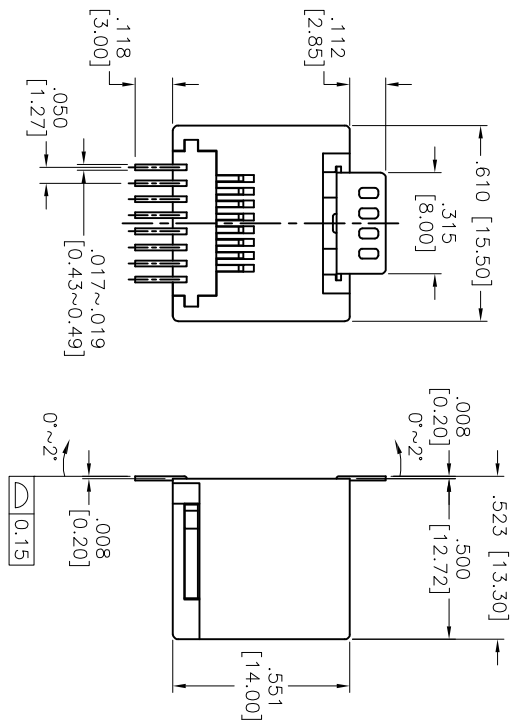
3

2

1

APPROVED: \_\_\_\_\_  
 DATE: \_\_\_\_\_ TITLE: \_\_\_\_\_

Rev	AWO #	Description	Date	Appr
-		RELEASED	10/4/04	
A		REVISED DRAWING	12/01/06	
B		UPDATE SPEC. & DIM.	10/16/14	AV/CH
C		UPDATE DRAWING	1/21/16	AV/WY



RECOMMENDED PCB LAYOUT

**SPECIFICATIONS:**

- Material: Insulator: Hi-temp thermoplastic, rated UL 94V-0
- Insulator color: Black
- Contacts: Phosphor Bronze
- Hold Down: Brass, Matte Tin plated
- Contacts Plating: Flat contact
- Gold over Nickel underplate on contact area,
- Tin over Copper underplate on solder tails
- Round contact
- Gold over Nickel underplate overall
- Electrical: Operating voltage: 150 VAC max
- Current rating: 1.5 Amps max
- Contact resistance: 20 mohms max
- Insulation resistance: 500 Mohms min @ 500 VDC
- Dielectric withstanding voltage: 1500 Vrms for 1 minute
- Temperature Rating: Operating temperature: -40°C to +85°C
- Environmental: Lead free, RoHS compliant.

A

A

**ADAM TECH**

909 Railway Avenue, Union, NJ 07083  
 Phone: 908-687-5000 Fax: 908-687-5710

MODULAR TELEPHONE JACK, 8P8C  
 VERTICAL, SURFACE MOUNT

UNLESS OTHERWISE SPECIFIED ALL DIMENSIONS ARE INCHES [MM]	
TOLERANCES: EXCEPT AS NOTED	
INCHES	HOLES
.X ± .10	± .10
.XX ± .020	± .015
.XXX ± .015	± .010
APPROVALS	DATE
DRAWN SS	10/4/04
CHECKED	
APPROVED	

SIZE	PART NO.	REV.
X	MTJ-88HX1	C
REF:	S00068T	SHEET 1 OF 1
SCALE:	NIS	

6

5

4

3

2

1

