

Adam Technologies, Inc.

INTRODUCTION:

Adam Tech MTP series Modular Telephone Plugs are manufactured to terminate flat oval or round telephone cord to REA and Cat. 5 EIA/TIA specifications. Our double strain relief design, molded in polycarbonate, is manufactured with contacts pre-loaded in a variety of sizes and options including shielding and specific contacts for flat or round cable. Adam Tech is a major supplier of telephone line cords to the telecommunications industry.

FEATURES:

- Preassembled Contacts
- REA Compliant Terminations
- Cat. 5 and 5E available
- Contacts for Flat or Round wire
- Short or Long body choices
- Shielded versions

MATING TELEPHONE JACKS:

Adam Tech modular telephone jack series and all industry standard telephone Jacks.

SPECIFICATIONS:

Material:

Insulator: Polycarbonate, rated UL94V-0
 Insulator Color: Clear, (Blue optional)
 Contacts: Phosphor Bronze

Contact Plating:

Gold Flash (optional 15 or 30 µin) over nickel underplate.

Electrical:

Operating voltage: 150V AC max.
 Current rating: 1.5 Amps max.
 Contact resistance: 20 mΩ max. initial
 Insulation resistance: 500 MΩ min.
 Dielectric withstanding voltage: 1000V AC for 1 minute

Mechanical:

Cable to plug tensile strength: 7.71 Kgs (17 lbs) min.
 Durability: 250 Cycles min.
 Wire range: 26 to 28 Awg

Temperature Rating:

Operating temperature: -40°C to +70°C

PACKAGING:

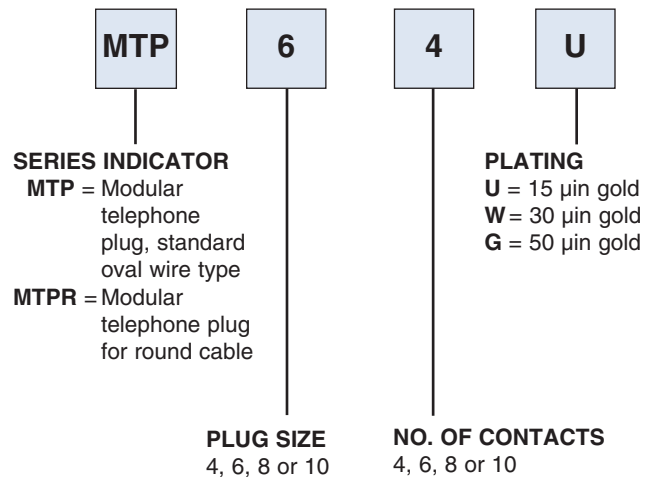
Anti-ESD plastic bags

SAFETY AGENCY APPROVALS:

UL Recognized File No. E224049



ORDERING INFORMATION

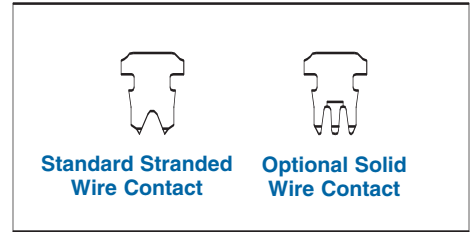


OPTIONS:

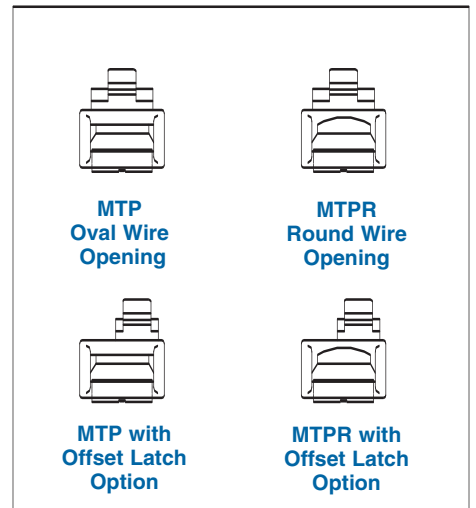
Add designator(s) to end of part number

- K** = Molded in key (Plug size 8 & 10 only)
- S** = Solid wire contacts
- EMI** = Metal shielded type (Plug size 8 or 10 only)
- OL** = Offset Latch (Plug size 6 only)
- BU** = Clear Blue insulator color

Contact Options



Plug Options



Plug with Metal EMI Shield Option

