

ADAM TECH MODULAR TELEPHONE PLUGS

MTP SERIES

ADAM TECHNOLOGIES

INTRODUCTION:

Adam Tech MTP series Modular Telephone Plugs are manufactured to terminate flat oval or round telephone cord to REA and Cat. 5 EIA/TIA specifications. Our double strain relief design, molded in polycarbonate, is manufactured with contacts pre-loaded in a variety of sizes and options including shielding and specific contacts for flat or round cable. Adam Tech is a major supplier of telephone line cords to the telecommunications industry.

FEATURES:

- Preassembled Contacts
- REA Compliant Terminations
- Cat. 5 and 5E available
- Contacts for Flat or Round wire
- Short or Long body choices
- Shielded versions

MATING TELEPHONE JACKS:

Adam Tech modular telephone jack series and all industry standard telephone Jacks.

SPECIFICATIONS:

Material:

Insulator: Polycarbonate, rated UL94V-0
Insulator Color: Clear
Contacts: Phosphor Bronze

Contact Plating:

50 µin Gold (optional 15 or 30 µin) over nickel underplate.

Electrical:

Operating voltage: 150V AC max.
Current rating: 1.5 Amps max.
Contact resistance: 20 mΩ max. initial
Insulation resistance: 500 MΩ min.
Dielectric withstanding voltage: 1000V AC for 1 minute

Mechanical:

Cable to plug tensile strength: 7.71 Kgs (17 lbs) min.
Durability: 250 Cycles min.
Wire range: 26 to 28 Awg

Temperature Rating:

Operating temperature: -40°C to +70°C

PACKAGING:

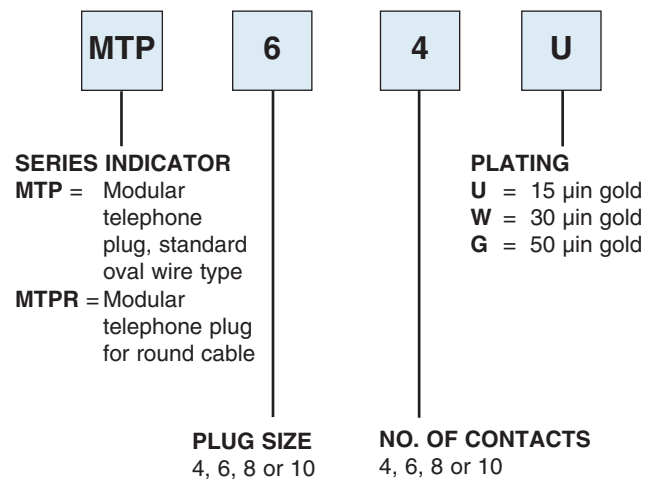
Anti-ESD plastic bags

SAFETY AGENCY APPROVALS:

UL Recognized File No. E224053



ORDERING INFORMATION



OPTIONS:

Add designator(s) to end of part number

- K** = Molded in key (Plug size 8 or 10 only)
- S** = Solid wire contacts
- EMI** = Metal shielded type (Plug size 8 or 10 only)
- OL** = Offset Latch (Plug size 6 only)

Contact Options



Stranded
Wire
Contact



Solid
Wire
Contact

Cable Options



Flat Oval
Cable



Round
Cable



Flat Oval
Cable Offset
Latch

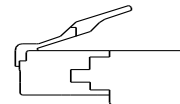


Round Cable
Offset Latch

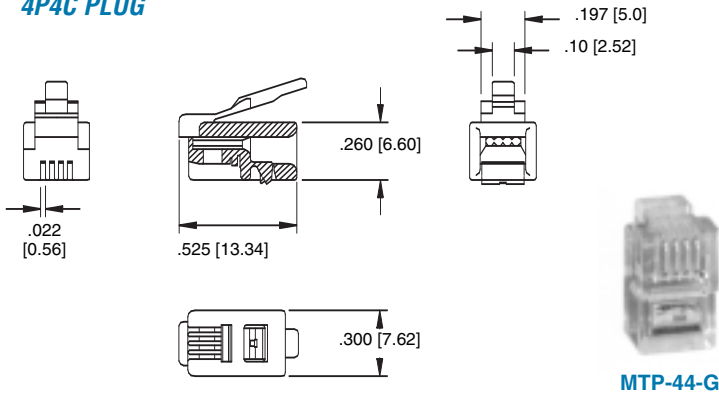
Plug with Metal EMI Shield Option



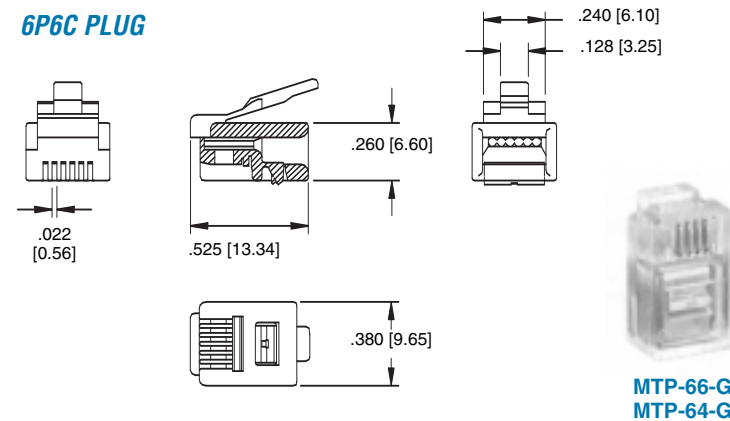
MTP-88-G-EMI



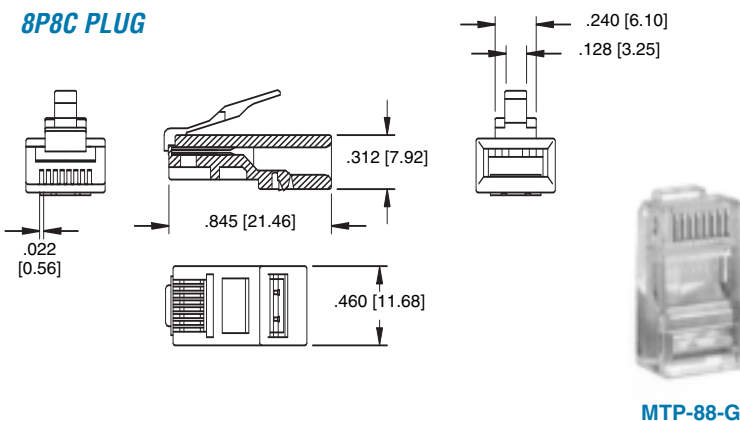
4P4C PLUG



6P6C PLUG



8P8C PLUG



10P10C PLUG



MTP-1010-G

