

## PLCC SOCKETS

### PLASTIC LEADED CHIP CARRIER SOCKET

### SURFACE MOUNT

### PLCC SERIES

#### INTRODUCTION:

Adam Tech SMT PLCC Series Sockets are low profile, thin wall sockets designed to hold plastic leaded chips which are converted to PCB format on a .050" centerline grid. They conform to all applicable EIA and JEDEC standards. Adam Tech's superior precision stamped contact provides consistent, high retention contacts for all size chips. Their open frame design allows easy solder joint inspection. They are manufactured with Hi-Temp PPS to accommodate SMT soldering processes. Chip exchanges or replacements are easily made with Adam Tech's chip remover part no. PLCC-EXT.

#### FEATURES:

- Full range of sizes from 20P ~ 100P
- Consistent, uniform high retention contacts
- Compatible with wide range of chip sizes
- No solder wicking design
- Hi Temp PPS insulator
- Open frame design for viewable solder joints

#### MATING PLASTIC LEADED CHIPS:

All EIA / JEDEC compliant PLCC

#### SPECIFICATIONS:

##### Material:

Insulator: PPS, Glass reinforced, rated UL94V-0  
Insulator Color: Brown  
Contacts: Phosphor Bronze

##### Contact Plating:

Tin over copper underplate overall

##### Electrical:

Operating voltage: 250V AC max.  
Current rating: 1 Amp max.  
Contact resistance: 30 mΩ max. initial  
Insulation resistance: 1000 MΩ min.  
Dielectric withstanding voltage: 500V AC for 1 minute

##### Mechanical:

Insertion force: 6.35 oz max.  
Withdrawal force: 1.0 oz min

##### Temperature Rating:

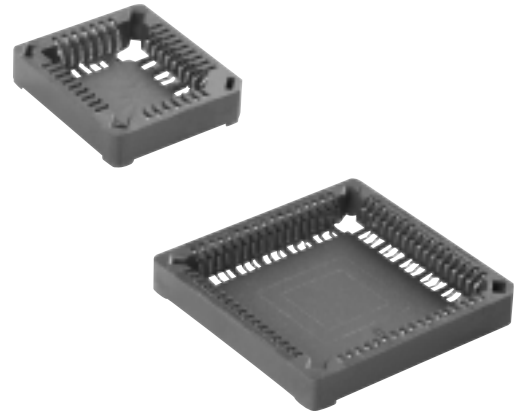
Operating temperature: -55°C to +105°C

#### PACKAGING:

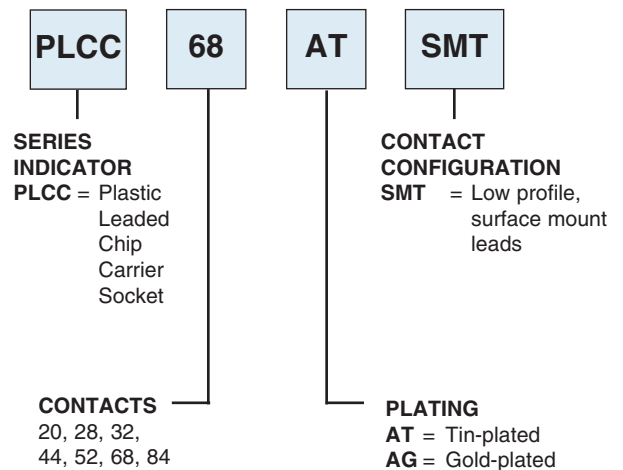
Anti-ESD plastic tubes

#### APPROVALS AND CERTIFICATIONS:

UL Recognized File No. E224053  
CSA Certified File No. LR1578596

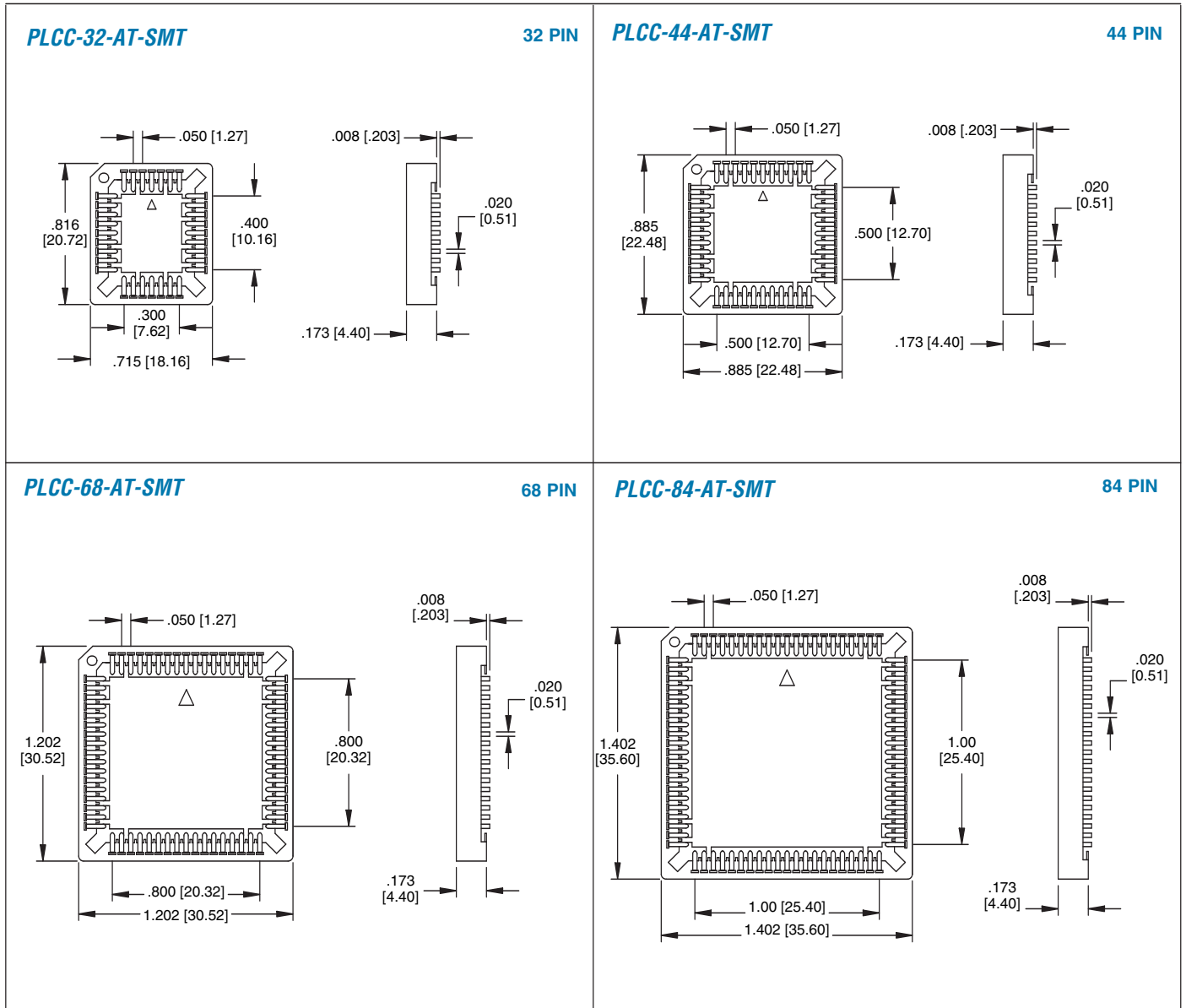


#### ORDERING INFORMATION



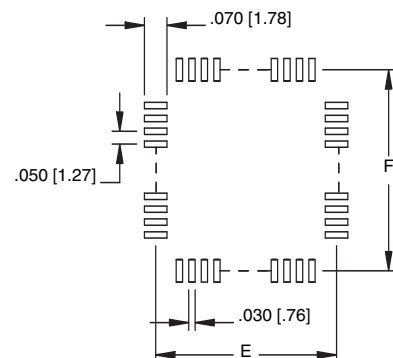
#### OPTIONS:

Add designator(s) to end of part number  
**P** = With polarizing pegs  
**TR** = Tape and reel packaging  
**RC** = RoHS compliant lead-free product with Hi-Temp insulator

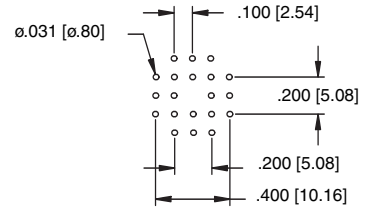
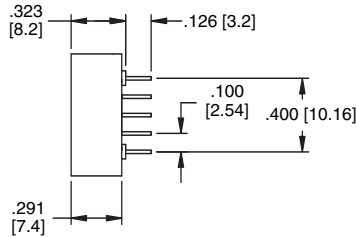
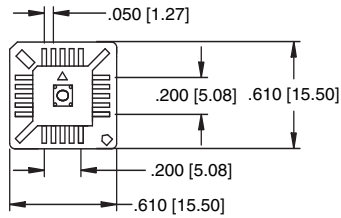


**Recommended Solder Pad Layout**

POSITION	E	F
20	.330 [8.37]	.330 [8.37]
28	.430 [10.91]	.430 [10.91]
32	.430 [10.91]	.529 [13.46]
44	.630 [15.99]	.630 [15.99]
52	.733 [18.61]	.733 [18.61]
68	.930 [23.61]	.930 [23.61]
84	1.13 [28.73]	1.13 [28.73]

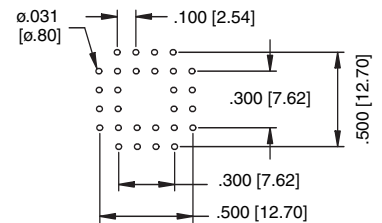
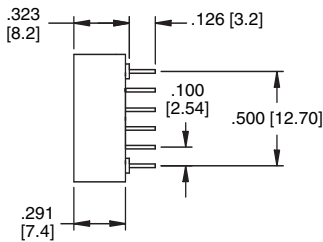
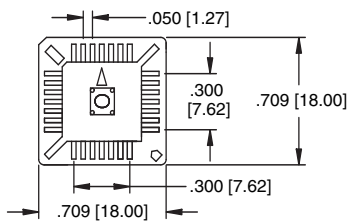


#### PLCC-20-AT



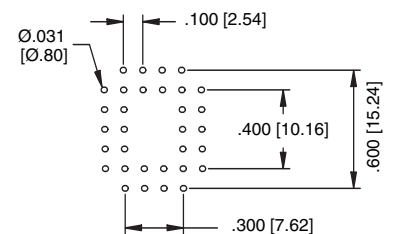
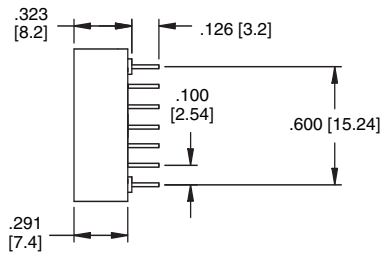
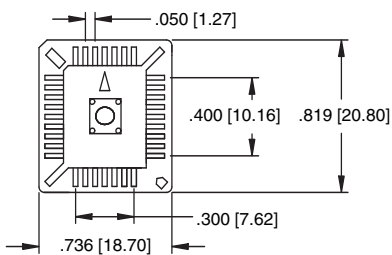
Recommended PCB Layout

#### PLCC-28-AT



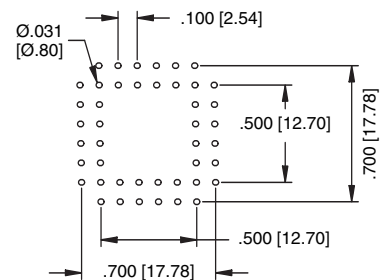
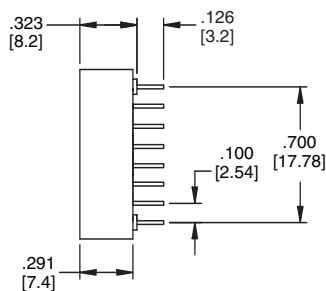
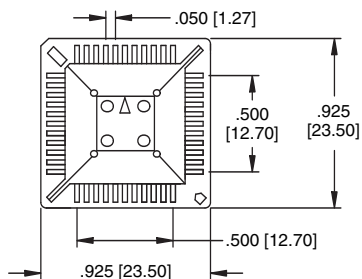
Recommended PCB Layout

#### PLCC-32-AT



Recommended PCB Layout

#### PLCC-44-AT



Recommended PCB Layout

## PLCC SOCKETS

### PLASTIC LEADED CHIP CARRIER SOCKET THROUGH HOLE PLCC SERIES

#### INTRODUCTION:

Adam Tech PLCC Series Sockets are designed to convert plastic leaded chips to a thru-hole PCB format on a .100" centerline grid. They conform to all applicable EIA and JEDEC standards. Adam Tech's superior precision stamped contact design provides consistent, high retention contacts for all size chips. Chip exchanges or replacements are easily made with Adam Tech's chip remover part no. PLCC-EXT.

#### FEATURES:

- Full range of sizes from 20P ~ 100P
- Consistent, uniform high retention contacts
- Compatible with wide range of chip sizes
- No solder wicking design
- Hi Temp PPS insulator version available

#### MATING PLASTIC LEADED CHIPS:

All EIA / JEDEC plastic leaded chips

#### SPECIFICATIONS:

##### Material:

Insulator: PBT (PPS optional), Glass reinforced, rated UL94V-0

Insulator Color: Black (Brown for PPS)

Contacts: Phosphor Bronze

##### Contact Plating:

Tin over copper underplate overall

##### Electrical:

Operating voltage: 250V AC max.

Current rating: 1 Amp max.

Contact resistance: 30 mΩ max. initial

Insulation resistance: 1000 MΩ min.

Dielectric withstanding voltage: 500V AC for 1 minute

##### Mechanical:

Insertion force: 6.35 oz max.

Withdrawal force: 1.0 oz min

##### Temperature Rating:

Operating temperature: -55°C to +105°C

#### PACKAGING:

Anti-ESD plastic tubes

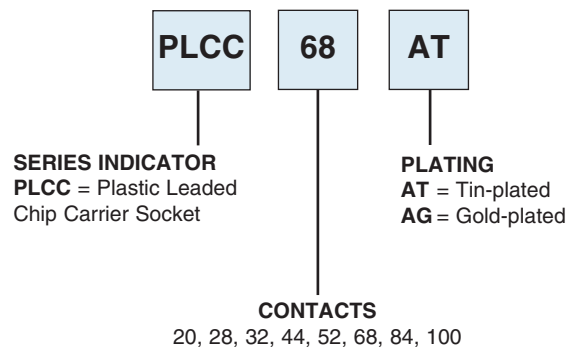
#### APPROVALS AND CERTIFICATIONS:

UL Recognized File No. E224053

CSA Certified File No. LR1578596



#### ORDERING INFORMATION



**HI-TEMP**  
INSULATOR  
AVAILABLE

#### OPTIONS:

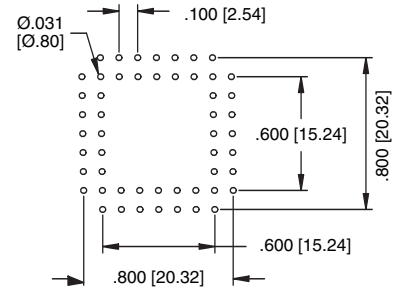
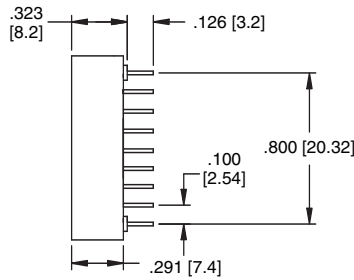
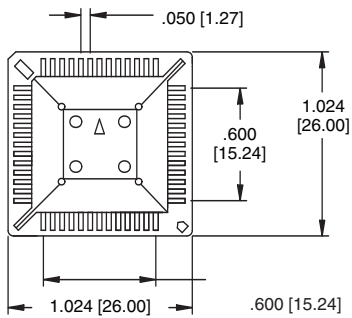
Add designator(s) to end of part number

HT = Hi-Temp Polyphenylene Sulfide (PPS)  
Insulator Material

RC = RoHS compliant lead-free product  
with Hi-Temp insulator

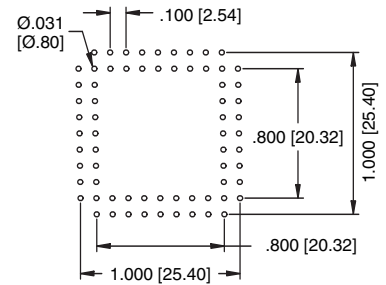
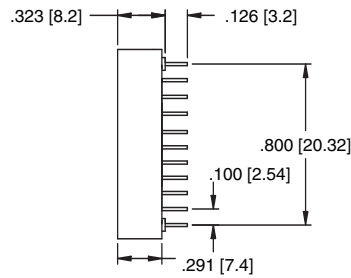
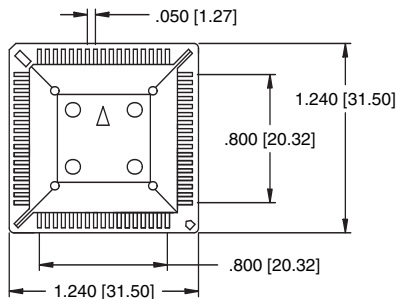


### PLCC-52-AT



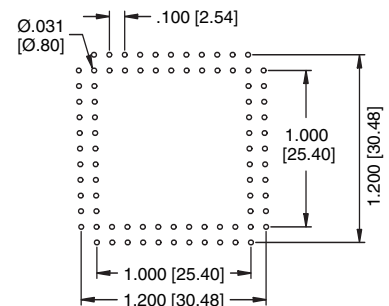
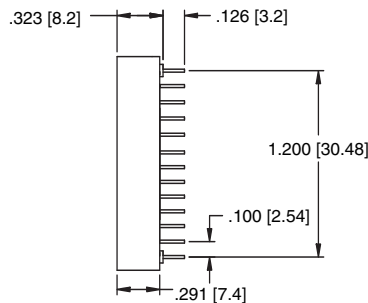
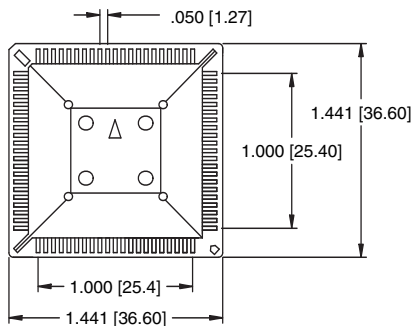
Recommended PCB Layout

### PLCC-68-AT



Recommended PCB Layout

### PLCC-84-AT



Recommended PCB Layout