

INTRODUCTION:

Adam Tech SMT PLCC Series Sockets are low profile, thin wall sockets designed to convert plastic leaded chips to a thru-hole PCB format on a .100" centerline grid. They conform to JEDEC MS 016 and MS 018 pin count standards. Adam Tech's superior precision stamped contact design provides consistent, high retention contacts for all size chips. Chip exchanges or replacements are easily made with Adam Tech's chip remover part no. PLCC-EXT.

FEATURES:

- Full range of sizes from 20P ~ 100P
- Consistent, uniform high retention contacts
- Compatible with wide range of chip sizes
- No solder wicking design
- Hi Temp PPS insulator
- Open frame design for viewable solder joints

MATING PLASTIC LEADED CHIPS:

All EIA / JEDEC compliant PLCC

SPECIFICATIONS:

Material:

Standard Hi-Temp insulator: PPS, Glass reinforced, rated UL94V-0
Insulator Color: Brown
Contacts: Phosphor Bronze

Contact Plating:

Tin over copper underplate overall

Electrical:

Operating voltage: 250V AC max.
Current rating: 1 Amp max.
Contact resistance: 30 mΩ max. initial
Insulation resistance: 1000 MΩ min.
Dielectric withstanding voltage: 500V AC for 1 minute

Mechanical:

Insertion force: 6.35 oz max.
Withdrawal force: 1.0 oz min

Temperature Rating:

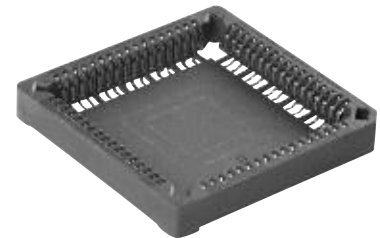
Operating temperature: -55°C to +105°C
Soldering process temperature: 260°C

PACKAGING:

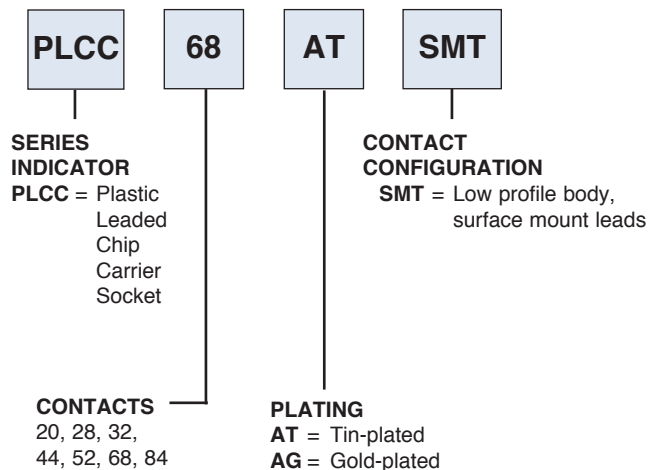
Anti-ESD plastic tubes

APPROVALS AND CERTIFICATIONS:

UL Recognized & CSA Certified, File no. E224053



ORDERING INFORMATION



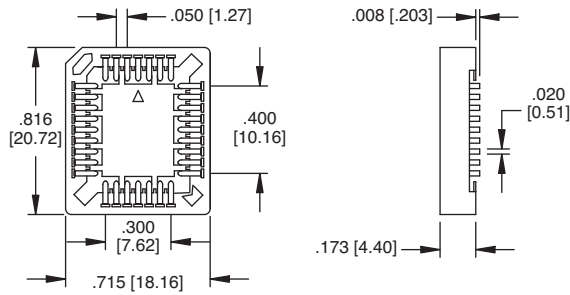
OPTIONS:

Add designator(s) to end of part number
P = With polarizing pegs
TR = Tape and reel packaging



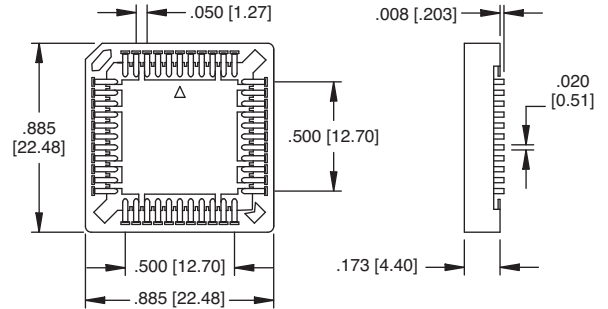
PLCC-32-AT-SMT

32 Position Socket



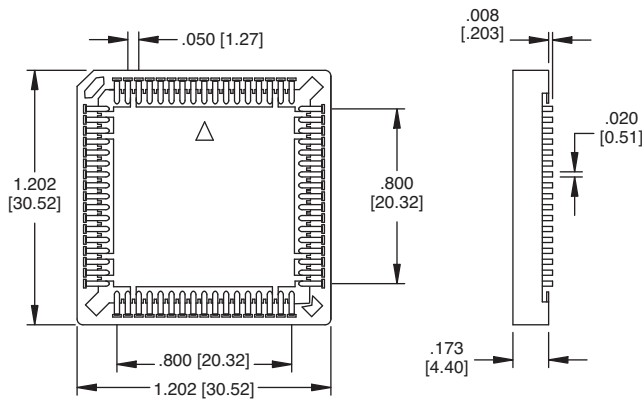
PLCC-44-AT-SMT

44 Position Socket



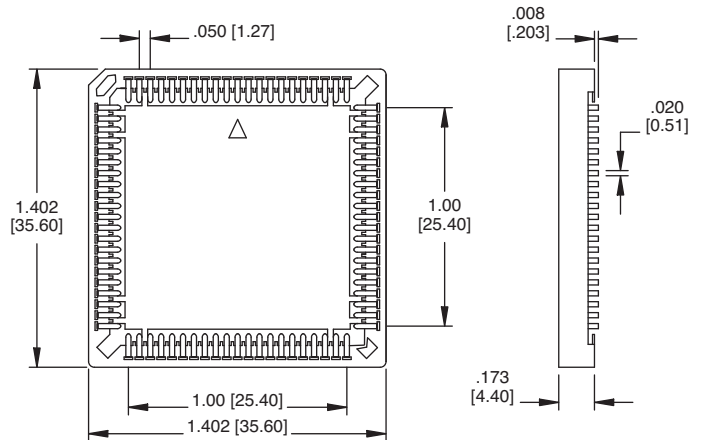
PLCC-68-AT-SMT

68 Position Socket

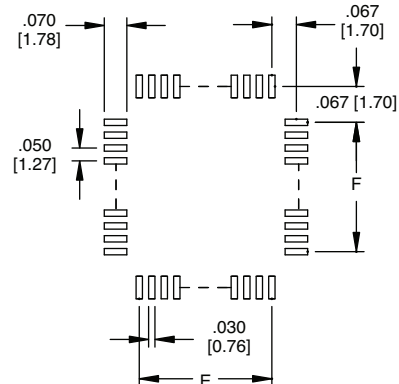


PLCC-84-AT-SMT

84 Position Socket



Recommended Solder Pad Layout



POSITIONS	E	F
20	.200 [5.08]	.200 [5.08]
28	.300 [7.62]	.300 [7.62]
32	.300 [7.62]	.400 [10.16]
44	.500 [12.70]	.500 [12.70]
52	.600 [15.24]	.600 [15.24]
68	.800 [20.32]	.800 [20.32]
84	1.000 [25.40]	1.000 [25.40]

INTRODUCTION:

Adam Tech PLCC Series Sockets are designed to convert plastic leaded chips to a thru-hole PCB format on a .100" centerline grid. They conform to JEDEC MS 016 and MS 018 pin count standards. Adam Tech's superior precision stamped contact design provides consistent, high retention contacts for all size chips. Chip exchanges or replacements are easily made with Adam Tech's chip remover part no. PLCC-EXT.

FEATURES:

Full range of sizes from 20P ~ 100P
Consistent, uniform high retention contacts
Compatible with wide range of chip sizes
No solder wicking design
Hi Temp PPS insulator version available

MATING PLASTIC LEADED CHIPS:

All EIA / JEDEC plastic leaded chips

SPECIFICATIONS:

Material:

Standard Insulator: PBT, Glass reinforced, rated UL94V-0
Optional Hi-Temp insulator: PPS
Insulator Color: Black (Brown for PPS)
Contacts: Phosphor Bronze

Contact Plating:

Tin over copper underplate overall

Electrical:

Operating voltage: 250V AC max.
Current rating: 1 Amp max.
Contact resistance: 30 mΩ max. initial
Insulation resistance: 1000 MΩ min.
Dielectric withstanding voltage: 500V AC for 1 minute

Mechanical:

Insertion force: 6.35 oz max.
Withdrawal force: 1.0 oz min

Temperature Rating:

Operating temperature: -20°C to +85°C
Soldering process temperature:
Standard insulator: 235°C
Hi-Temp insulator: 260°C

PACKAGING:

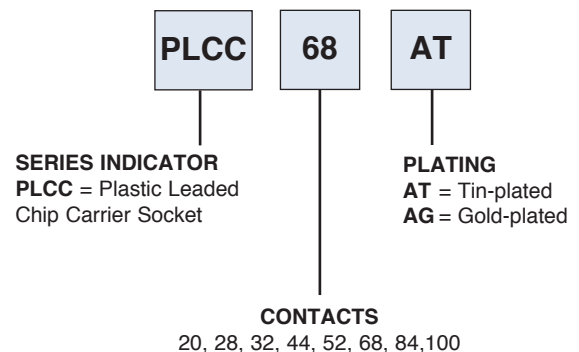
Anti-ESD plastic tubes

APPROVALS AND CERTIFICATIONS:

UL Recognized & CSA Certified, File no. E224053



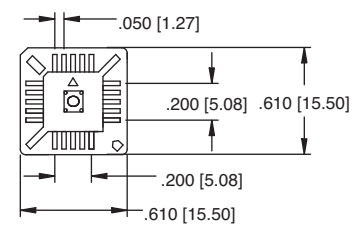
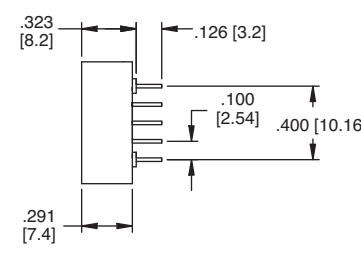
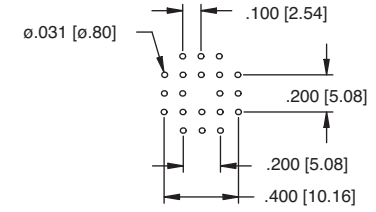
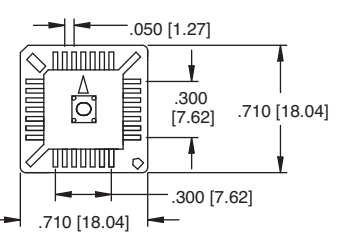
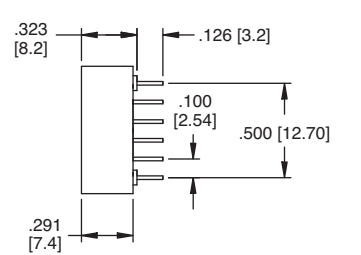
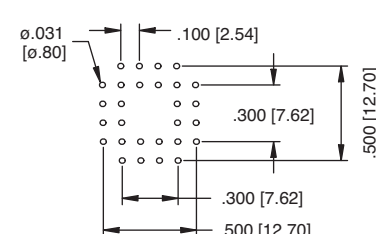
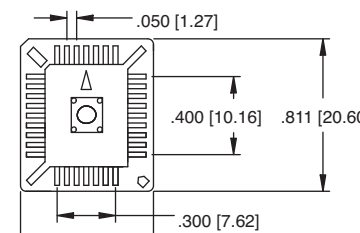
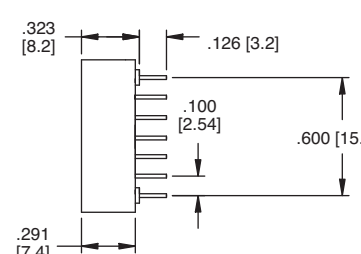
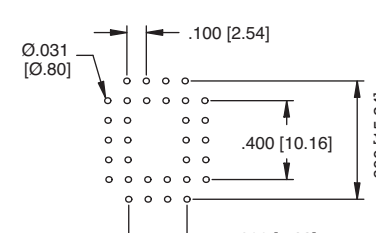
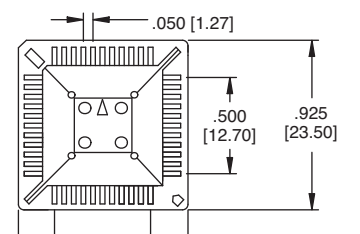
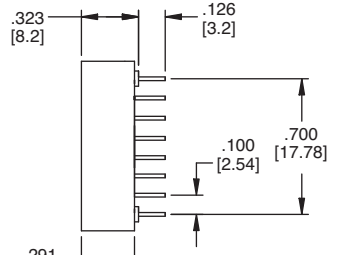
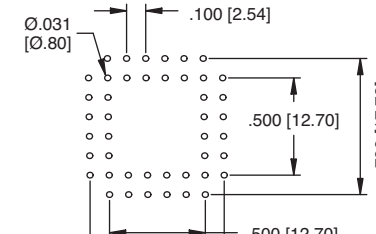
ORDERING INFORMATION



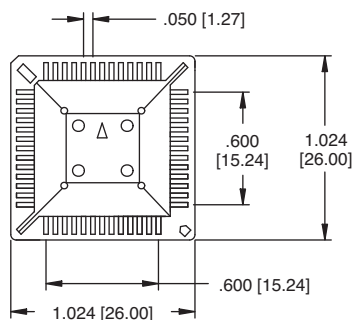
OPTIONS:

Add designator(s) to end of part number
HT = Hi-Temp Polyphenylene Sulfide (PPS) Insulator
Material for hi-temp soldering process up to 260°C

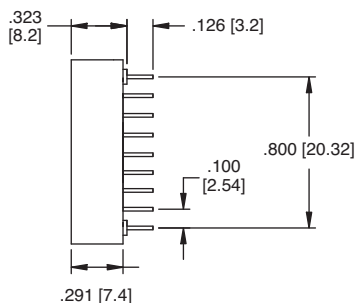


<p>PLCC-20-AT</p> 	<p>20 Position Socket</p> 	<p>20 Position Socket</p>  <p>Recommended PCB Layout</p>
<p>PLCC-28-AT</p> 	<p>28 Position Socket</p> 	<p>28 Position Socket</p>  <p>Recommended PCB Layout</p>
<p>PLCC-32-AT</p> 	<p>32 Position Socket</p> 	<p>32 Position Socket</p>  <p>Recommended PCB Layout</p>
<p>PLCC-44-AT</p> 	<p>44 Position Socket</p> 	<p>44 Position Socket</p>  <p>Recommended PCB Layout</p>

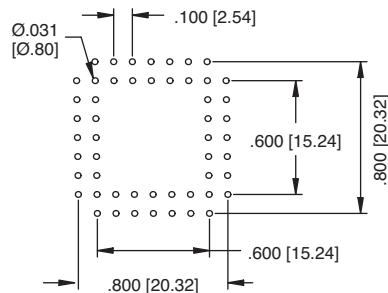
PLCC-52-AT



52 Position Socket

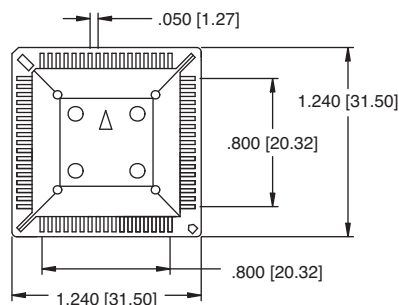


52 Position Socket

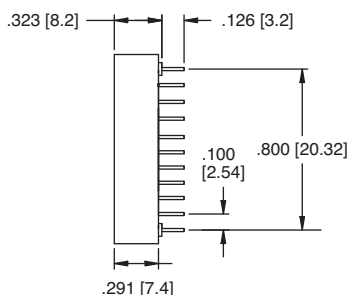


Recommended PCB Layout

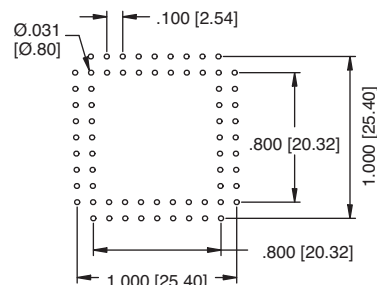
PLCC-68-AT



68 Position Socket

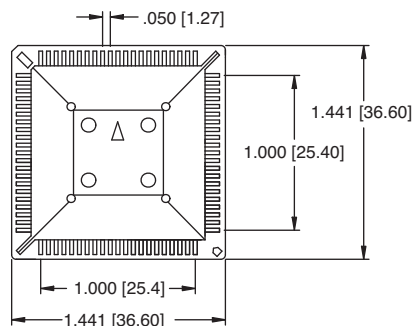


68 Position Socket

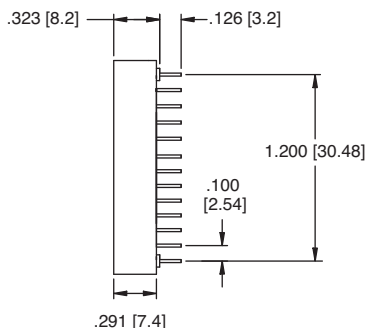


Recommended PCB Layout

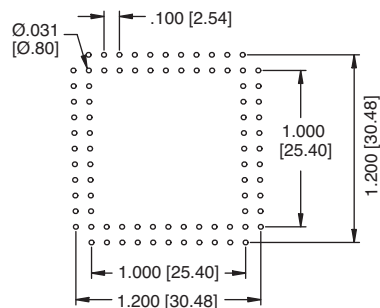
PLCC-84-AT



84 Position Socket



84 Position Socket



Recommended PCB Layout