

6

5

4

3

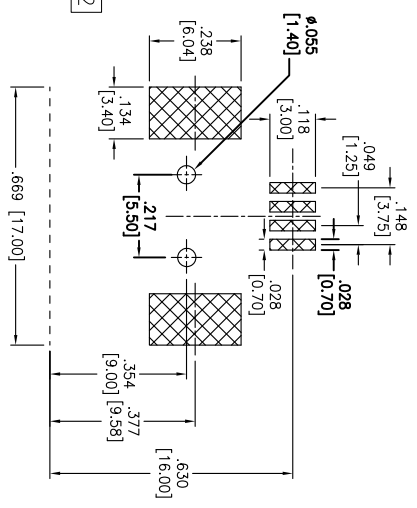
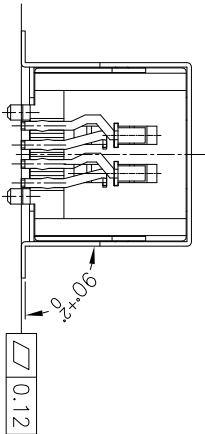
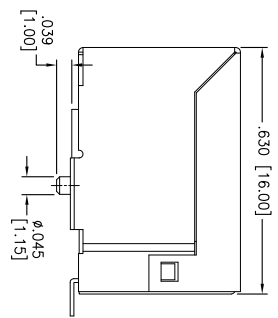
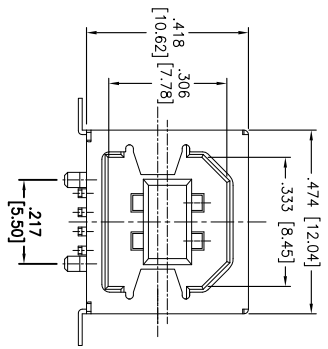
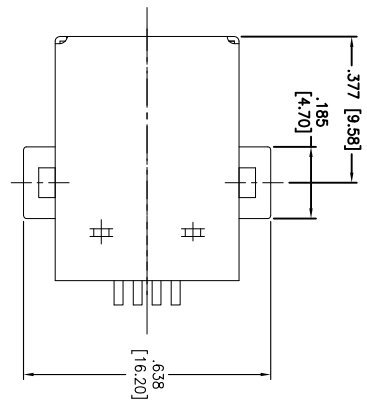
2

1

Rev	AWO #	Description	Date	Appr
-		RELEASED	1/22/08	
A		REDRAWN	7/5/11	
B		REVISED SHAPE	8/31/11	

APPROVED: \_\_\_\_\_

DATE: \_\_\_\_\_ TITLE: \_\_\_\_\_



RECOMMENDED PCB LAYOUT

**SPECIFICATIONS:**

Material: Insulator: Hi-temp thermoplastic, rated UL 94V-0  
 Insulator color: Black  
 Contacts: Copper Alloy  
 Shield: Copper Alloy, Nickel plated  
 Contact Plating: Gold Flash over Nickel underplate on contact area, Tin over Copper underplate on SMT tails

**Electrical:**

Operating voltage: 30 VAC max  
 Current rating: 1.5 Amps max @250V AC  
 Contact Resistance: 30 mohms max. initial  
 Insulation resistance: 1000 Mohms min  
 Dielectric withstanding voltage: 500 VAC for 1 minut  
 Temperature Rating: Operating temperature: -20°C to +60°C  
 Environmental: Lead free, RoHS compliant.

6

5

4

3

2

1

UNLESS OTHERWISE SPECIFIED ALL DIMENSIONS ARE INCHES [MM] TOLERANCES: EXCEPT AS NOTED

INCHES	± .10	ØX	± .10
INCHES	± .020	ØXX	± .015
INCHES	± .015	ØXXX	± .010

APPROVALS

DATE	DATE
SS	1/22/08

# ADAM TECH

909 Railway Avenue, Union, NJ 07083  
 Phone: 908-687-5000 Fax: 908-687-5710

TITLE: UNIVERSAL SERIAL BUS SINGLE PORT, RIGHT ANGLE, SMT

DRAWN	SS	1/22/08	SIZE	PART NO.	REV.
CHECKED			X	USB-B-S-RA-TSMT	B
APPROVED			REF:	S00005C	SHEET 1 OF 1

