

INTRODUCTION:

Adam Tech USB (Universal Serial Bus) and IEEE 1394 (Firewire) Series connectors are a complete line of shielded, hot pluggable, high speed I/O interface connectors available in a variety of body styles and sizes, positions and mounting orientations. Each is shielded for superior EMI/RFI protection and features spring contacts for exceptional connectivity properties. Specially designed shells with flares eliminate misconnection and kinked boardlocks add a strong, stable PCB attachment. An ideal solution for a low cost, high speed connection to peripheral devices.

FEATURES:

- Industry Standard Compatible
- High Speed I/O applications
- Variety of Circuit sizes
- Variety of Body Styles
- Standard and Mini versions
- Shielded for EMI/RFI protection

MATING CONNECTORS:

Adam Tech USB and IEEE 1394 series connectors and all industry standard USB and IEEE 1394 connectors.

SPECIFICATIONS:

Material:

- Insulator: PBT, Glass filled, rated UL94V-0 or Hi-Temp Nylon PA9T, rated UL94V-0
- Insulator Color: Black (White optional)
- Contacts: Phosphor Bronze or Brass
- Shell: Steel, nickel plated

Contact Plating:

- Gold Flash over nickel on mating area, Tin over Copper underplate on tails

Electrical:

- Operating Voltage: 250V AC
- Current Rating: 1 Amps max.
- Contact Resistance: 30 mΩ max.
- Insulation Resistance: 100 MΩ min.
- Dielectric Withstanding Voltage: 250V AC for 1 minute

Mechanical:

- Insertion force: 3 oz max.
- Withdrawal force: 0.5 oz min.

Temperature Ratings:

- Operating Temperature: PBT: -40°C ~ +85°C
- Nylon PA9T: -55°C ~ +105°C

PACKAGING:

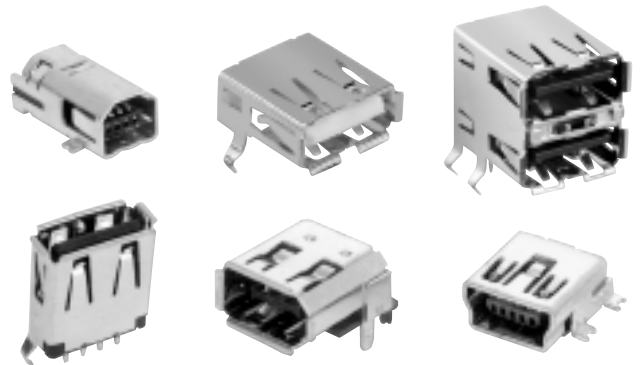
- Anti-ESD plastic trays or tubes

APPROVALS AND CERTIFICATIONS:

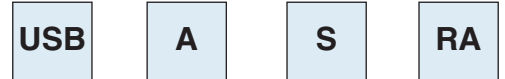
- UL Recognized File No. E224053
- CSA Certified File No. LR1578596



www.usb.org



ORDERING INFORMATION



SERIES INDICATOR

- USB** = Universal Serial Bus
- MUSB** = Mini USB
- FWC** = IEEE 1394, Firewire
- MFW** = Mini IEEE 1394, Firewire

MOUNTING ANGLE

- RA** = Right Angle, Upright
- RU** = Right Angle, Upright
- VT** = Vertical Mount
- S** = Wire Termination (Plug Only)

PORTS

- S** = Single port
- D** = Dual port

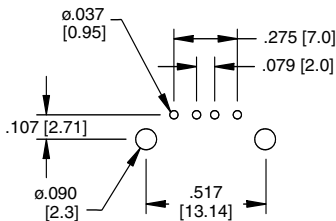
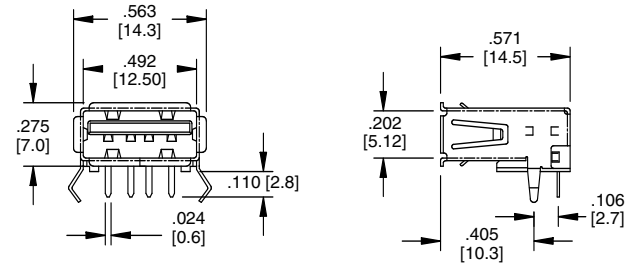
TYPE

- A** = Type "A"
- B** = Type "B"
- AB** = Type "AB" (Mini)
- B4** = Type "B" (Mini) 4 pin
- B5** = Type "B" (Mini) 5 pin
- C** = Firewire (IEEE 1394)
- D** = Firewire (IEEE 1394B) Bilingual Type
- P** = Firewire Plug (IEEE 1394)

OPTIONS:

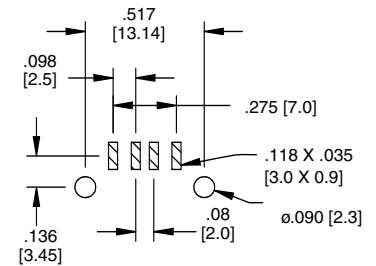
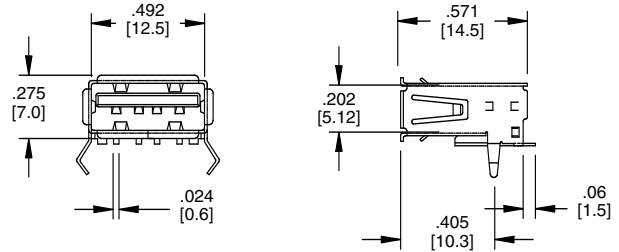
- Add as Suffix to basic part no.
- SMT** = Surface Mount Leads with Hi-Temp insulator
- 30** = 30 μin gold plating in contact area
- WT** = White color insulator
- RC** = RoHS compliant lead-free product with Hi-Temp insulator

USB-A-S-RA



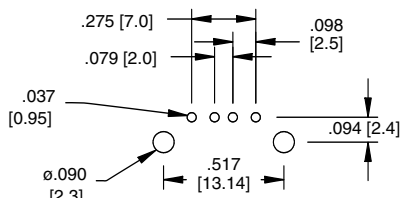
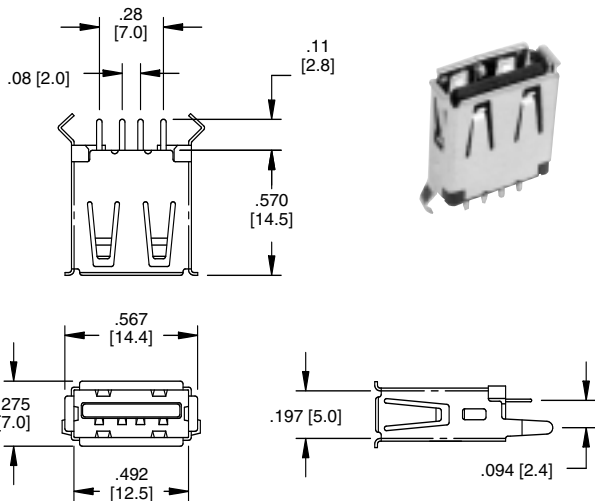
Recommended PCB Layout

USB-A-S-RA-SMT



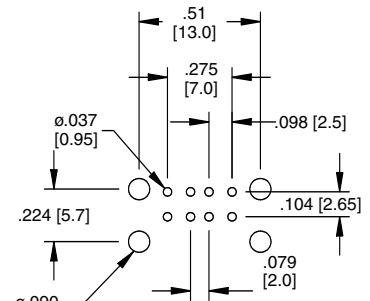
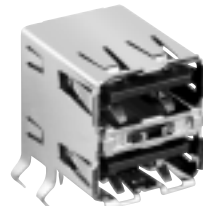
Recommended PCB Layout

USB-A-S-VT

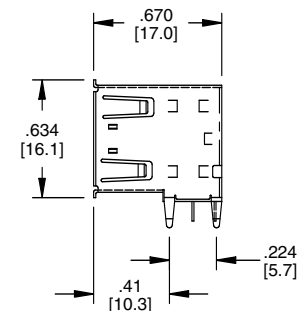
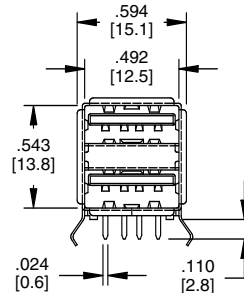


Recommended PCB Layout (Bottom View)

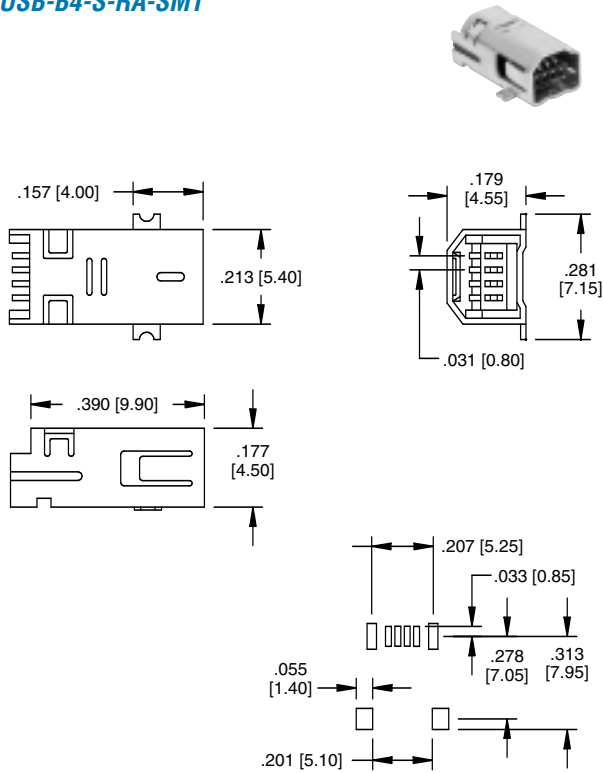
USB-A-D-RA



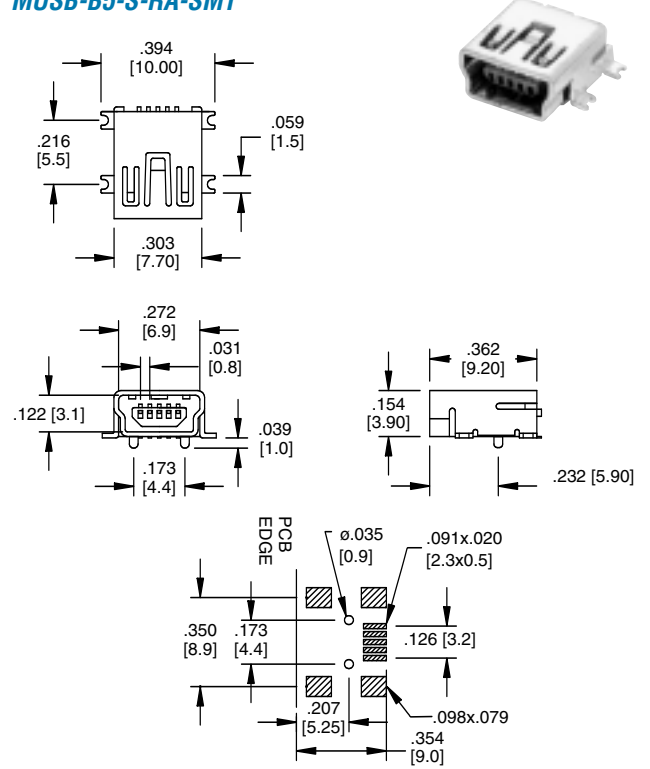
Recommended PCB Layout (Bottom View)



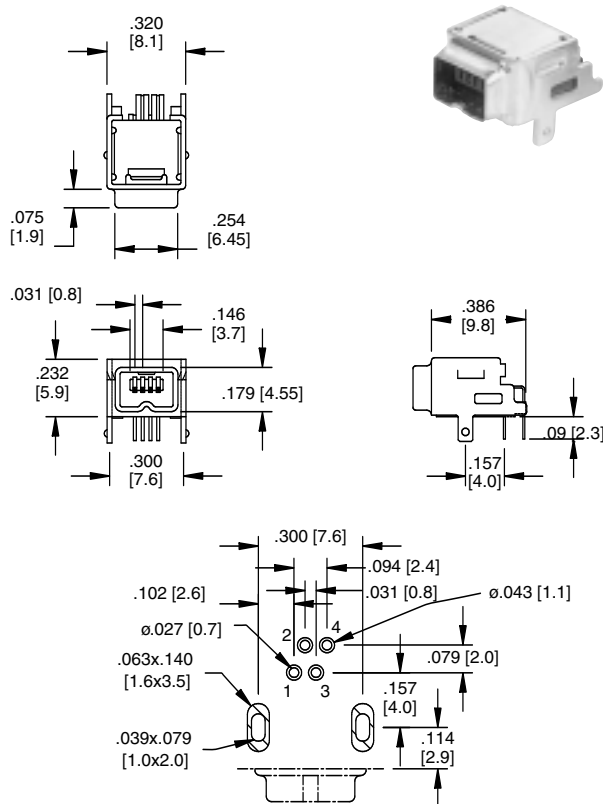
MUSB-B4-S-RA-SMT



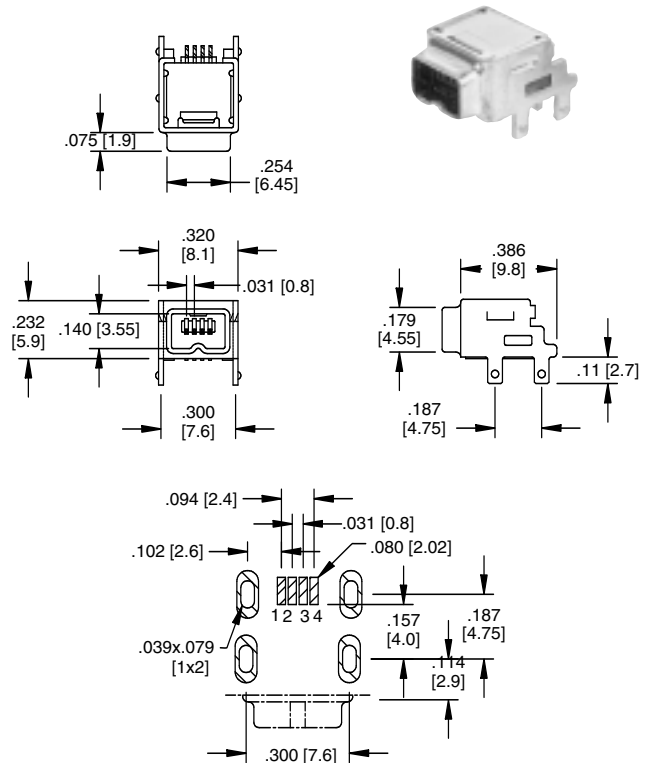
MUSB-B5-S-RA-SMT



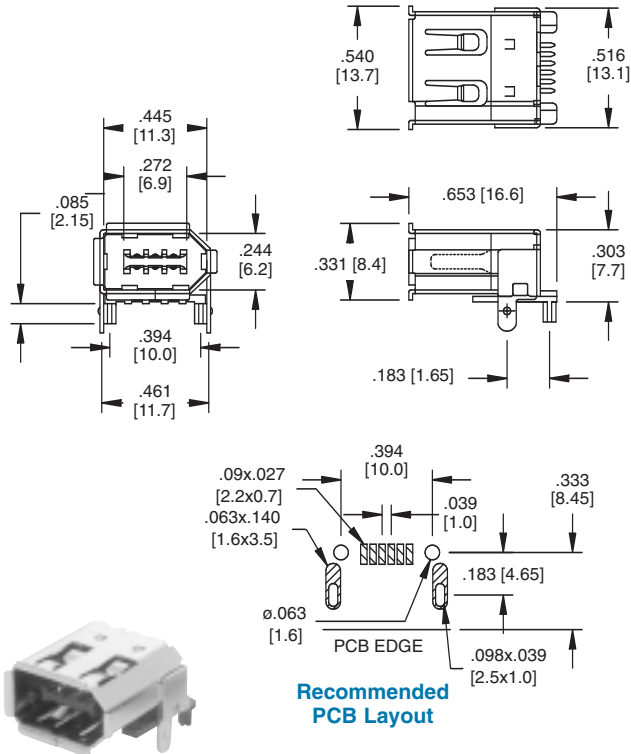
MFW-C-S-RA-1



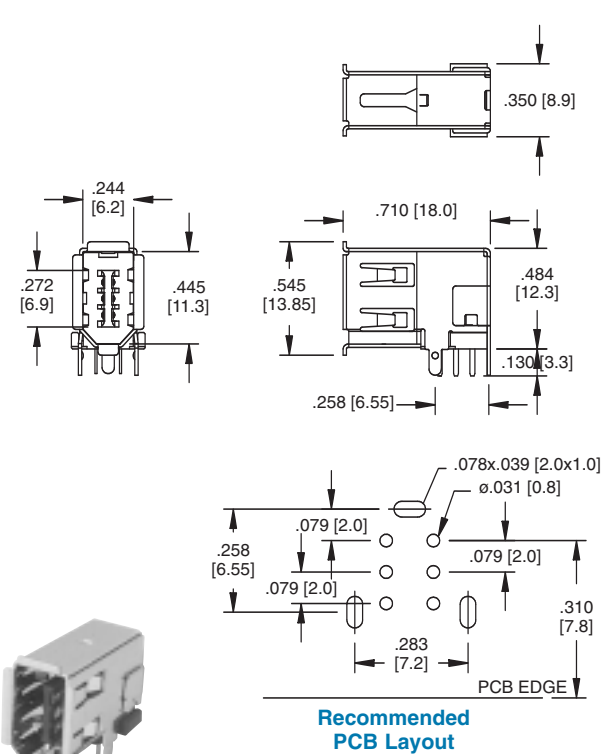
MFW-C-S-RA-SMT



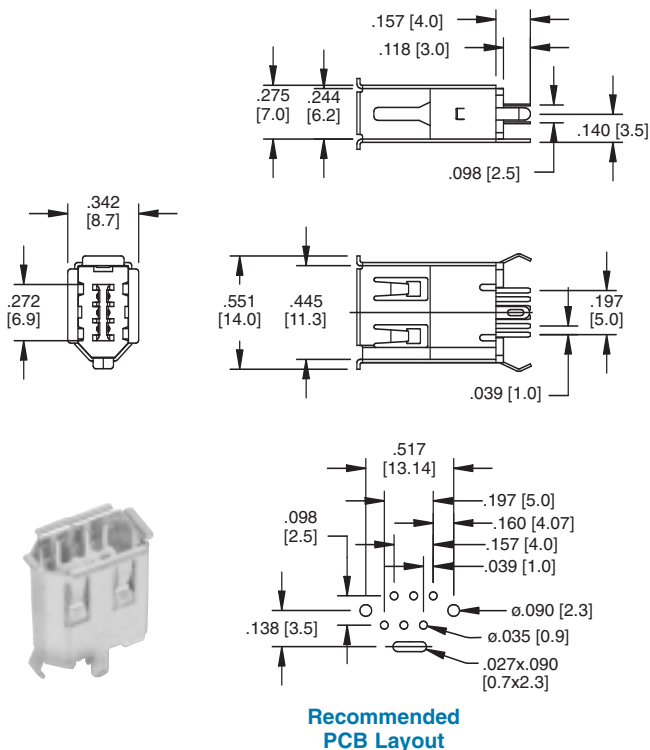
FWC-C-S-RA-SMT



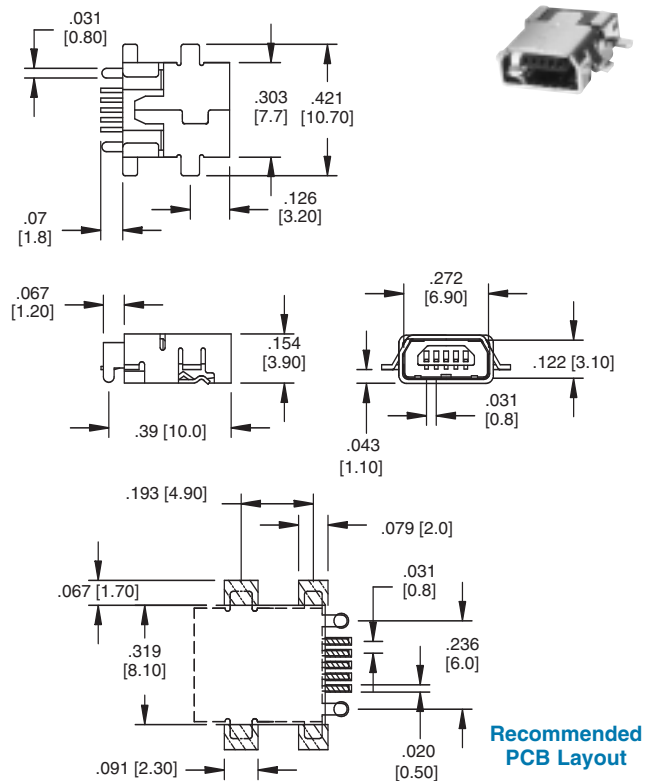
FWC-C-S-RU



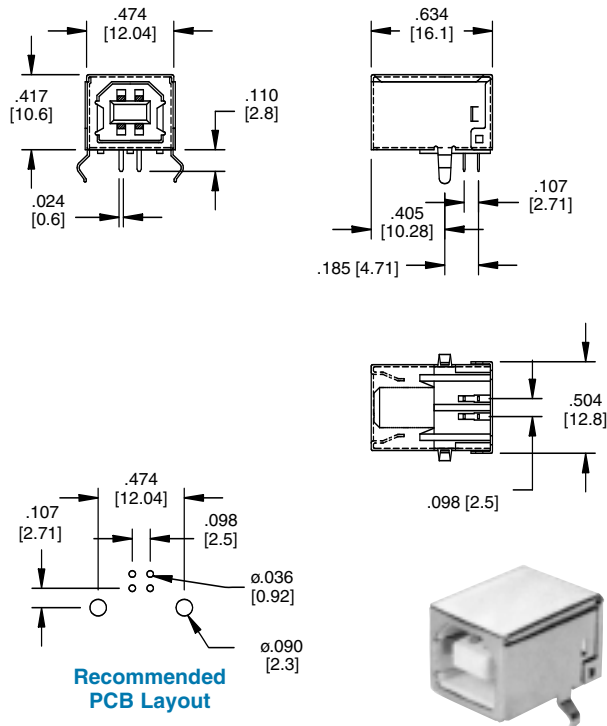
FWC-C-S-VT



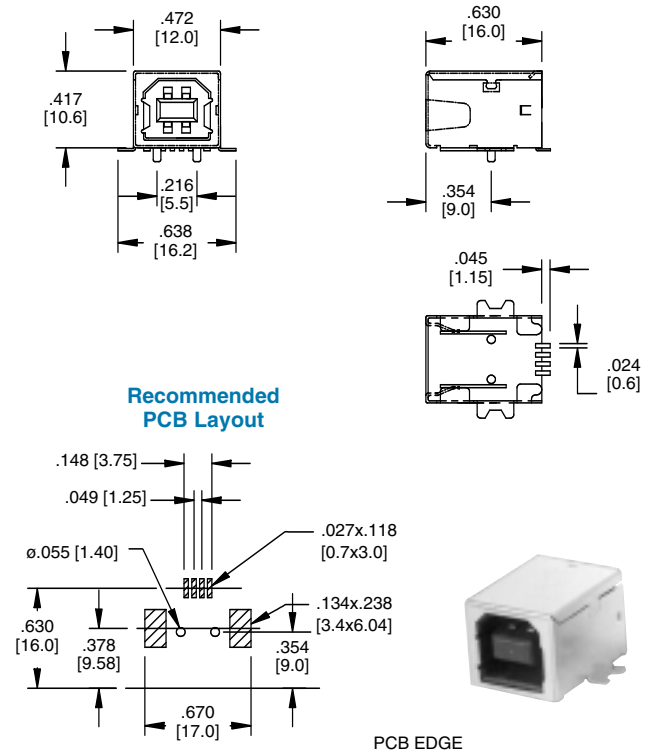
MUSB-D-S-RA-SMT



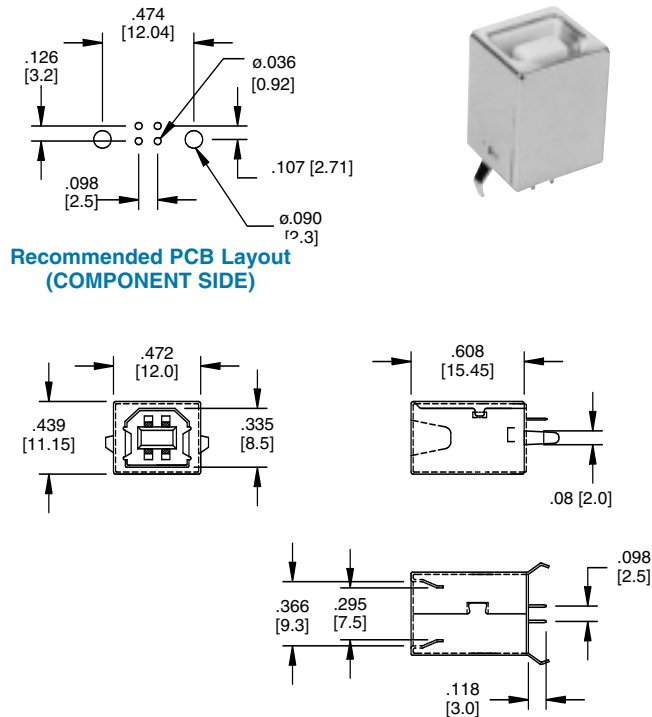
USB-B-S-RA



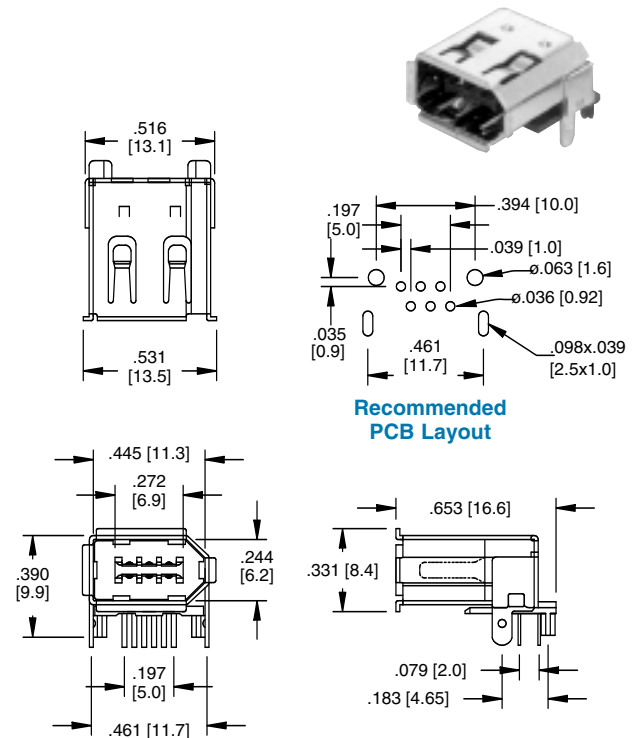
USB-B-S-RA-SMT



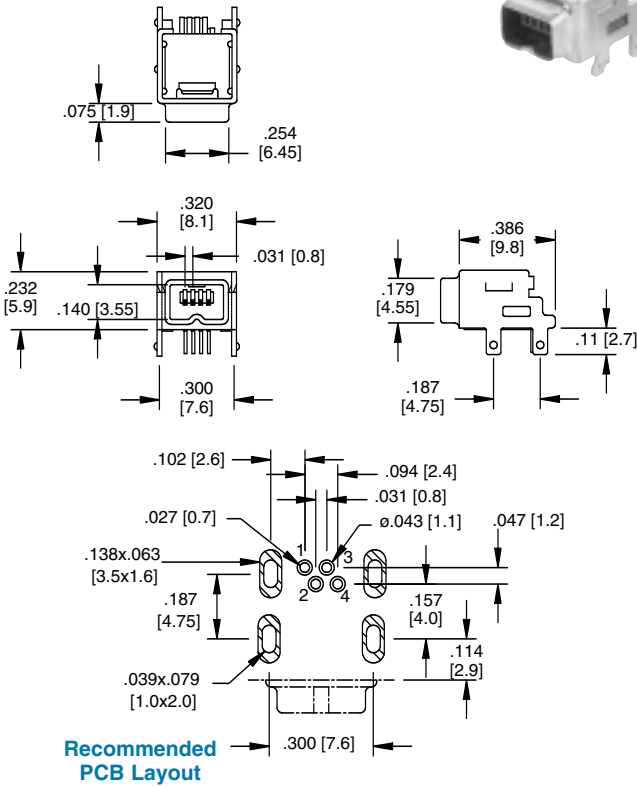
USB-B-S-VT



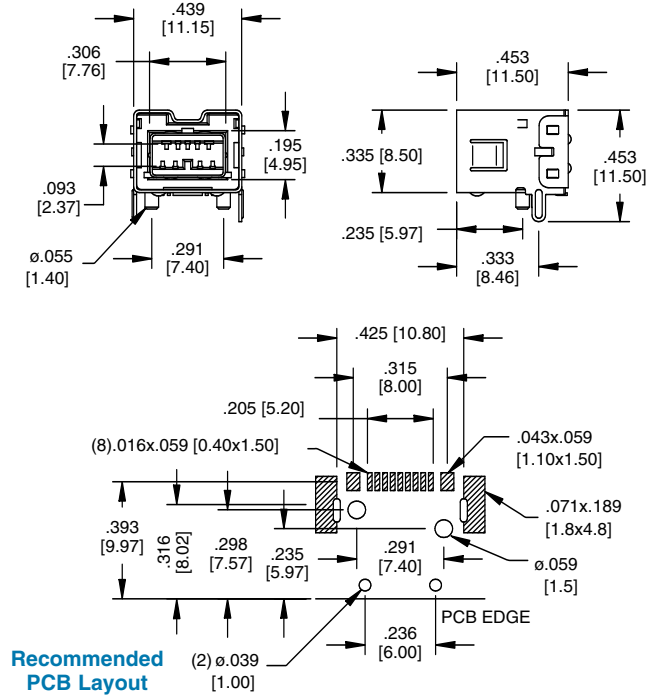
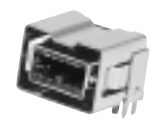
FWC-C-S-RA



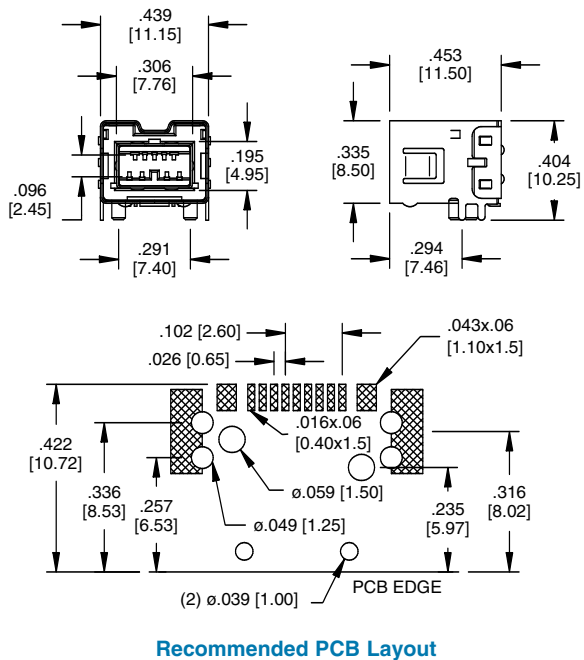
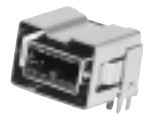
MFW-C-S-RA-2 Reverse PCB Pinout



MFW-D-S-RA-SMT-1



MFW-D-S-RA-SMT-2



MFW-P-S-S

