

PCE-5B06V-04A1E (PCE-7B06V-04A1E) Backplane: 6-slot BP for 2U Chassis, 1 PICMIG 1.3, 1 PCIe, 4 32-bit PCI

Startup Manual

Packing list

Before you begin installing your card, please make sure that the following materials have been shipped:

- 2 Two Port USB Cable p/n: 1700002204
- PCE-5B06V-04A1E (PCE-7B06V-04A1E) User Manual 2nd p/n: 200K5B0620
- M4*6*0.7 Round Screws (5 pcs) p/n: 1939000410
- 2 years quality warranty card p/n: 2190000902

If any of these items are missing or damaged, contact your distributor or sales representative immediately.

Specifications

Standard Functions

- **PICMIG 1.3 slots:**
PCE-7B06V-04 supports PCE-7xxx CPU boards
PCE-5B06V-04 supports PCE-5xxx CPU boards
- **PCIe slots:**
PCE-7B06V-04 supports one PCIe x 8 slot
PCE-5B06V-04 supports one PCIe x 16 slot
- **32-bit PCI:**
Four 32 Bit / 33 MHz PCI slot
- **USB (2.0) support:** Four Universal Serial Bus ports to Backplane

Mechanical and Environment

- **Dimensions:** 80.01 x 325 mm
- **Power supply voltage:** +12 V, +5 V, -12 V, -5 V, +5 V SBY, +3.3 V
- **Power requirements:** Refer to the CPU Board, add-on Card & Peripherals
- **Operating temperature:** 0 ~ 60° C
- **Weight:** 0.211 kg (weight of board)

For more information on this and other Advantech products, please visit our website at:

<http://www.advantech.com>

<http://www.advantech.com/eplatform>

For technical support and service, please visit our support website at:

<http://www.advantech.com/support>

This manual is for the PCE-5B06V-04A1E (PCE-7B06V-04A1E) series Rev. A1

Part No. 200K5B0620
Printed in China

1st Edition
Jan. 2007

PCE-5B06V-04A1E (PCE-7B06V-04A1E) Backplane: 6-slot BP for 2U Chassis,
1PICMIG 1.3, 1 PCIe, 4 32-bit PCI

Connectors and Jumpers

The table below lists the function of each of the jumpers and connectors:

Connectors

Label	Function
SHBA1~SHBD1	PICMG1.3 CPU board slot
PPCIE1	PCE-5B06V-04: PCIe x 16 slot PCE-7B06V-04: PCIe x 8 slot
PPC1~PPC14	32 Bit / 33 MHz PCI Bus slot
EATXPWR1	ATX2.0 24-pin Power Connector
EATX12V1	ATX 12V Auxiliary 8-pin Power Connector
ATX12V1	ATX 12V 4-pin Power Connector
VOLT1	Alarm board / CMM Power Connector
FAN1	FAN Connector
FAN2	FAN Connector
FAN3	FAN Connector
FAN4	FAN Connector
FANDEC1	FAN speed detector Connector
SMBUS1	SMBus Connector for chassis monitor
SMBUS2	SMBus Connector for chassis monitor
KBMS1	External Keyboard/Mouse Connector
KBMS2	External Keyboard/Mouse Connector
JFP1	Power and Reset button Connector
IPMB1	IPMB Connector
USB12	Two USB port pin header
USB34	Two USB port pin header

Jumpers

Label	Function
PSON1	ATX / AT Mode Selection

EATXPWER1

Pin	Name
1	3.3 V
2	3.3 V
3	GND
4	5 V
5	GND
6	5 V
7	GND
8	Power OK
9	5 V SBY
10	12 V
11	12 V
12	3.3 V
13	3.3 V
14	-12 V
15	GND
16	PSON#
17	GND
18	GND
19	GND
20	-5 V
21	-5 V
22	5 V
23	5 V
24	GND

ATX12V1

Pin	Name
1	GND
2	GND
3	12 V
4	12 V

EATX12V1

Pin	Name
1	GND
2	GND
3	GND
4	GND
5	12 V
6	12 V
7	12 V
8	12 V

VOLT1

Pin	Name
1	5 V SBY
2	GND
3	GND
4	-5 V
5	5 V
6	3.3 V
7	-12 V
8	12 V

FAN1~FAN4

Pin	Name
1	GND
2	12 V
3	FANIO1~FANIO4

FANDEC1

Pin	Name
1	FANIO1
2	FANIO2
3	FANIO3
4	FANIO4

SMBUS1~SMBUS2

Pin	Name
1	5 V
2	C-SMBBUS
3	C-SMBDAT
4	GND

KBMS1~KBMS2

Pin	Name
1	KBCLK
2	KBDAT
3	MSDAT
4	GND
5	5 V
6	MS_CLK

IPMB1

Pin	Name
1	IPMB_CLK
2	IPMB_DAT
3	GND

USB12

Pin	Name
1	USBV0
2	USBV0
3	USBD0-
4	USBD1-
5	USBD0+
6	USBD1+
7	GND
8	GND
9	Null
10	GND

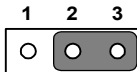
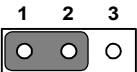
USB34

Pin	Name
1	USBV2
2	USBV2
3	USBD2-
4	USBD3-
5	USBD2+
6	USBD3+
7	GND
8	GND
9	Null
10	GND

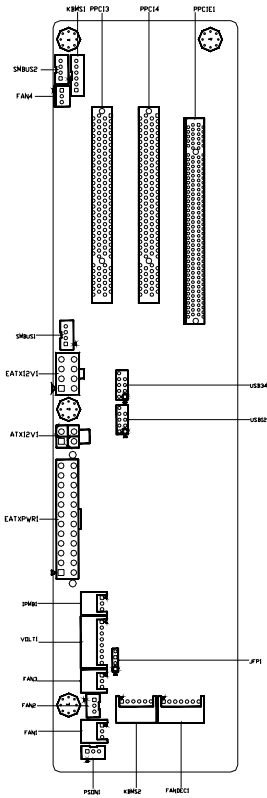
PSO1: ATX / AT Mode Selection

Setting	Function
1-2	AT Mode
2-3*	ATX Mode

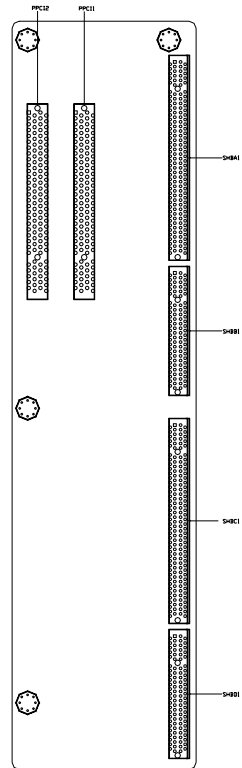
*: Default



Locating connectors and Jumpers

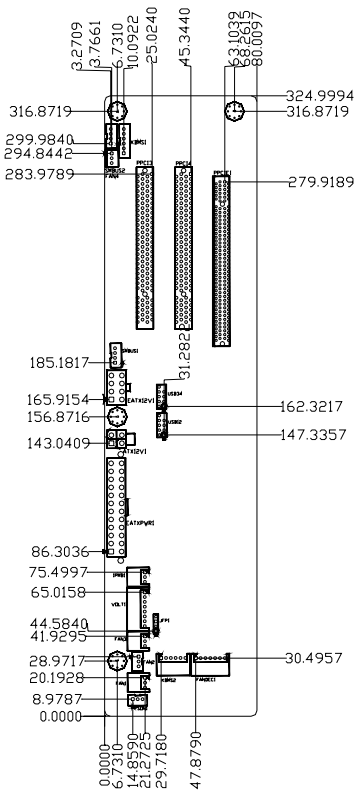


Locating Connectors (component side)

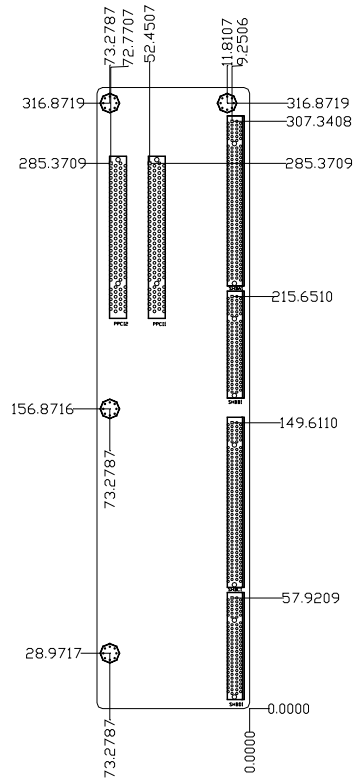


Locating Connectors (solder side)

Board Dimensions

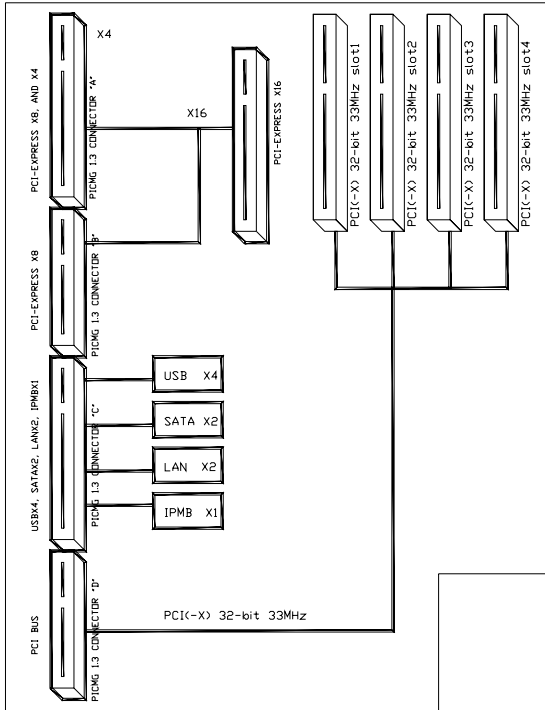


Mechanical Drawing (component side)



Mechanical Drawing (solder side)

Board Diagram



PCI Routing Tables

PCI 32-bit

	PCI Slot	PPCI1	PPCI2	PPCI3	PPCI4
PCI Interrupt Pin Route	IDSEL	AD 31	AD 30	AD 29	AD 28
	INT A	INT B	INT C	INT D	INT A
	INT B	INT C	INT D	INT A	INT B
	INT C	INT D	INT A	INT B	INT C
	INT D	INT A	INT B	INT C	INT D