



EK Series

Compact EK Series Enclosures are designed to house and protect standard IEC components, such as DIN rail mount circuit breakers, switches, meters and other control devices.

The unique cover design features a shrouded cut out and transparent hinged doors, for quick access and visibility. The shrouded cut out, spanning the width of the cover, exposes mounted components for easy adjustment and isolates wiring for increased safety. The transparent hinged doors have push release latches and can be optionally equipped with a

keylock or tamper seal.

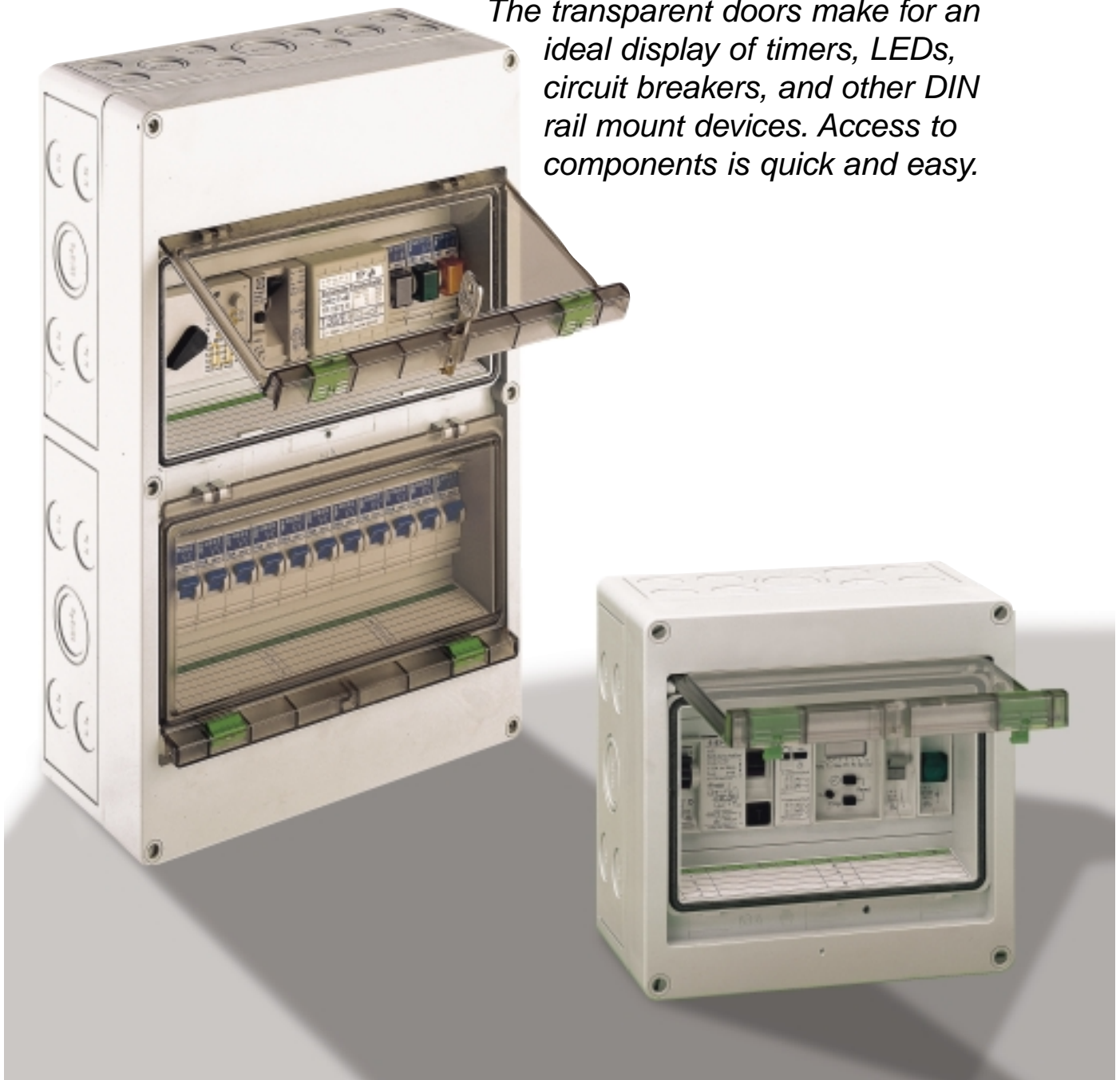
Each enclosure is supplied with removable busbar assemblies for ground neutral distribution.

- Direct mount
- Small to medium size
- Polystyrene base and cover
- Integral seals
- Dust and moisture proof
- Up to IP65 protection
- High mechanical strength
- Corrosion and maintenance free
- Halogen free

EK Series Enclosures

The EK Series features compact dimensions for space-efficient installation, while offering sufficient connection space for a secure wiring job.

The transparent doors make for an ideal display of timers, LEDs, circuit breakers, and other DIN rail mount devices. Access to components is quick and easy.



EK002 – Polystyrene – 130x94mm (5.12x3.70in.)

Standard Features

- **Protection Level:** IP54* / IP65**
- **Technical:** Knockout Sidewalls
Tinted Transparent Door
Multiple Enclosure Combination Option
- **Enclosure Material:** Polystyrene
- **Door Material:** Polycarbonate
- **Gasket Material:** Polyurethane
- **Temperature Range:** -40°C to 70°C (-40°F to 158°F)
- **Color:** Light Gray
- **Included Accessories:** 35mm DIN Rail, 3 Pole Ground/Neutral Terminal Strip
2 ea. 9mm (0.35 in.) Filler Strips
3 ea. Pg16 Entry Spouts
Label Strip
- **Accessories:** See section below



* With Supplied Entry Spouts
**As Equipped or With Optional IP65 Cable Glands

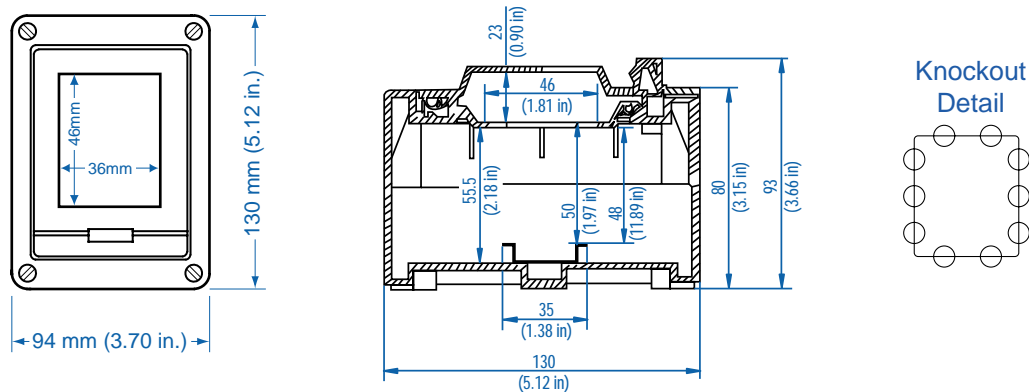
EK

Ordering Information	Cat. No.	Type	Length	Dimensions mm (in)		Std. Pk.
				Width	Height	
Enclosure	542-402	EK002	130 mm (5.12 in)	94 mm (3.70 in)	80 mm (3.15 in)	1

Accessories

Ordering Information	Cat. No.	Type	Std. Pk.
Key Lock	548-102	KL	1
Terminal	X-573	PE/N Terminal - 3 pole	1

Please refer to pages 106-113 for additional accessories and detailed information.



Pg11



Pg13.5



Pg16



Pg21/16



Pg29/21



Pg36/29

Standard Features

- **Protection Level:** IP54* / IP65**
- **Technical:**
 - Knockout Sidewalls
 - Tinted Transparent Door
 - Multiple Enclosure Combination Option
- **Enclosure Material:** Polystyrene
- **Door Material:** Polycarbonate
- **Gasket Material:** Polyurethane
- **Temperature Range:** -40°C to 70°C (-40°F to 158°F)
- **Color:** Light Gray
- **Included Accessories:**
 - 35mm DIN Rail, 5 Pole Ground/Neutral Terminal Strip
 - 4 ea. 9mm (0.35 in.) Filler Strips
 - 2 ea. Pg21 and 3 ea. Pg16 Entry Spouts
 - Label Strip
- **Accessories:** See section below



* With Supplied Entry Spouts
 **As Equipped or With Optional IP65 Cable Glands

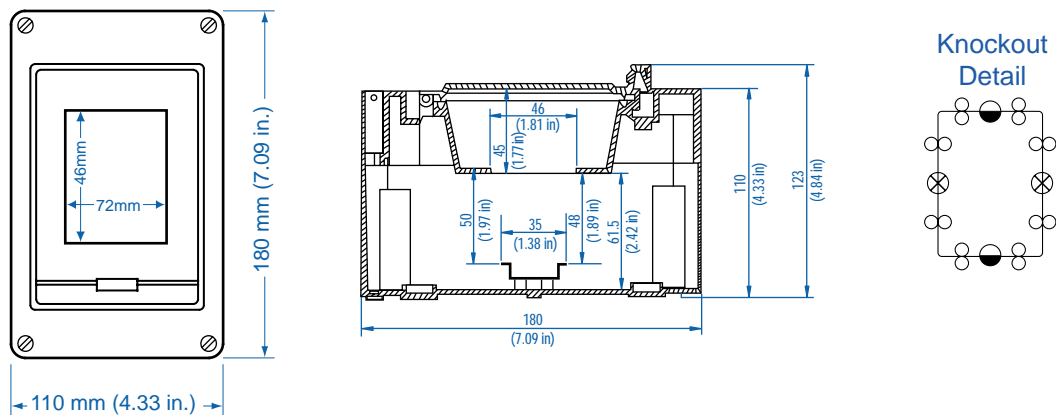
EK

Ordering Information	Cat. No.	Type	Length	Dimensions mm (in) Width	Height	Std. Pk.
Enclosure	542-404	EK004	180 mm (7.09 in)	110 mm (4.33 in)	110 mm (4.33 in)	1

Accessories

Ordering Information	Cat. No.	Type	Std. Pk.
Key Lock	548-102	KL	1
Terminal	X-575	PE/N Terminal - 5 pole	1

Please refer to pages 106-113 for additional accessories and detailed information.



EK008 – Polystyrene – 180x182mm (7.09x7.17in.)

Standard Features

- **Protection Level:** IP54* / IP65**
- **Technical:** Knockout Sidewalls
Tinted Transparent Door
Multiple Enclosure Combination Option
- **Enclosure Material:** Polystyrene
- **Door Material:** Polycarbonate
- **Gasket Material:** Polyurethane
- **Temperature Range:** -40°C to 70°C (-40°F to 158°F)
- **Color:** Light Gray
- **Included Accessories:** 35mm DIN Rail, 7 Pole Ground/Neutral Terminal Strip
12 ea. 9mm (0.35 in.) Filler Strips
2 ea. Pg21 and 6 ea. Pg16 Entry Spouts
Label Strip
- **Accessories:** See section below



* With Supplied Entry Spouts
** As Equipped or with Optional IP65 Cable Glands

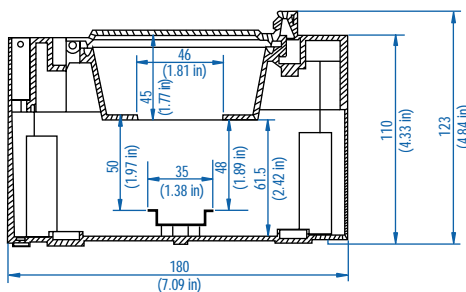
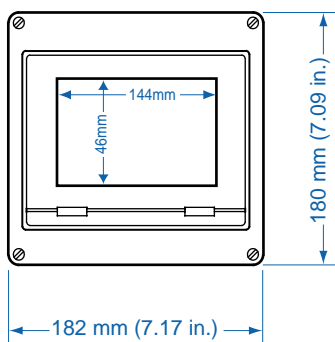
EK

Ordering Information	Cat. No.	Type	Length	Dimensions mm (in) Width	Height	Std. Pk.
Enclosure	542-408	EK008	180 mm (7.09 in)	182 mm (7.17 in)	110 mm (4.33 in)	1

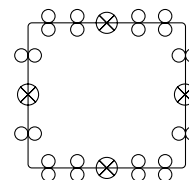
Accessories

Ordering Information	Cat. No.	Type	Std. Pk.
Key Lock	548-102	KL	1
Terminal	X-578	PE/N Terminal - 7 pole	1

Please refer to pages 106-113 for additional accessories and detailed information.



Knockout Detail



Pg11



Pg13.5



Pg16



Pg21/16



Pg29/21



Pg36/29

Standard Features

- **Protection Level:** IP54* / IP65**
- **Technical:**
 - Knockout Sidewalls
 - Tinted Transparent Door
 - Multiple Enclosure Combination Option
- **Enclosure Material:** Polystyrene
- **Door Material:** Polycarbonate
- **Gasket Material:** Polyurethane
- **Temperature Range:** -40°C to 70°C (-40°F to 158°F)
- **Color:** Light Gray
- **Included Accessories:**
 - 35mm DIN Rail, 12 Pole Ground/Neutral Terminal Strip
 - 12 ea. 9mm (0.35 in.) Filler Strips
 - 1 ea. Pg21 & Pg29 Entry Spouts
 - 7 ea. Pg16 Entry Spouts
 - Label Strip
- **Accessories:** See section below



* With Supplied Entry Spouts
 **As Equipped or with Optional IP65 Cable Gland

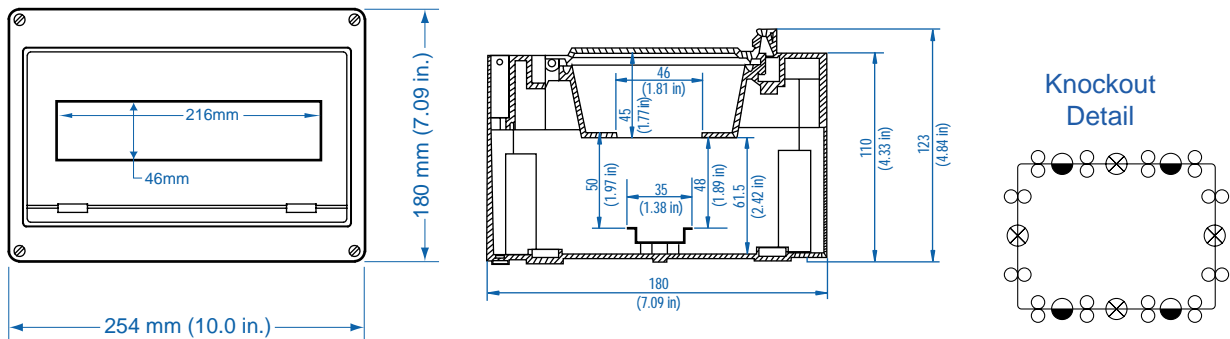
EK

Ordering Information	Cat. No.	Type	Length	Dimensions mm (in)	Width	Height	Std. Pk.
Enclosure	542-412	EK012	180 mm (7.09 in)	254 mm (10.00 in)	110 mm (4.33 in)	123 mm (4.84 in)	1

Accessories

Ordering Information	Cat. No.	Type	Std. Pk.
Key Lock	548-102	KL	1
Terminal	X-583	PE/N Terminal - 12 pole	1

Please refer to pages 106-113 for additional accessories and detailed information.



EK024 – Polystyrene – 361x254mm (14.21x10.00in.)

Standard Features

- **Protection Level:** IP54* / IP65**
- **Technical:** Knockout Sidewalls
Tinted Transparent Door
Multiple Enclosure Combination Option
- **Enclosure Material:** Polystyrene
- **Door Material:** Polycarbonate
- **Gasket Material:** Polyurethane
- **Temperature Range:** -40°C to 70°C (-40°F to 158°F)
- **Color:** Light Gray
- **Included Accessories:** 2 ea. 35mm DIN Rail, 17 Pole Ground/Neutral Terminal Strip
24 ea. 9mm (0.35 in.) Filler Strips
1 ea. Pg21 & Pg29 Entry Spouts
14 ea. Pg16 Entry Spouts
2 ea. Label Strips
- **Accessories:** See section below



* With Supplied Entry Spouts
** As Equipped or with Optional IP65 Cable Glands

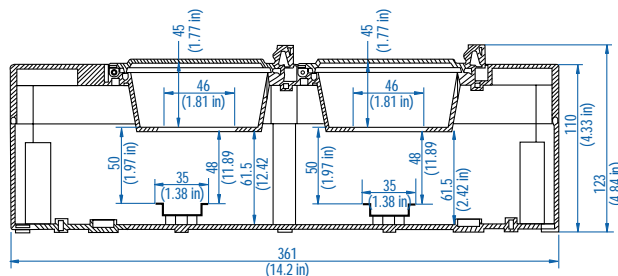
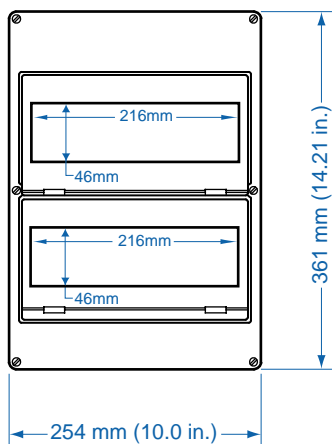
EK

Ordering Information	Cat. No.	Type	Length	Dimensions mm (in) Width	Height	Std. Pk.
Enclosure	542-424	EK024	361 mm (14.21 in)	254 mm (10.00 in)	110 mm (4.33 in)	1

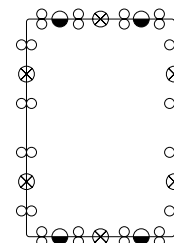
Accessories

Ordering Information	Cat. No.	Type	Std. Pk.
Key Lock	548-102	KL	1
Terminal	X-721-02	PE/N Terminal - 17 pole	1

Please refer to pages 106-113 for additional accessories and detailed information.



Knockout Detail



Pg11



Pg13.5



Pg16



Pg21/16



Pg29/21



Pg36/29