

INTERFACES

**Relay Modules - High Current
Isolated Channels - 15 Amp
35 or 32mm DIN Rail**

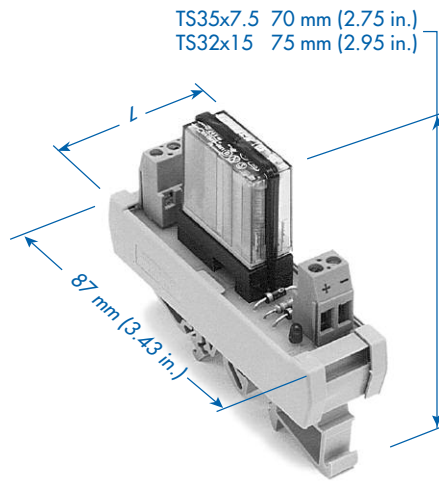
A true high-current rating in a DIN Rail mount miniature relay module. The miniature relays used in the Altech RMH have a SPDT (Form C) 16 Amp continuous current rating, developed from dual 8 Amp contacts that are internally connected in parallel. The relay socket is rated dual 8 Amp. Printed circuit traces are balanced, rated 16 Amp and connect to Altech terminal blocks UL rated 15A/300V.

Typical relay specifications combined with other module component ratings give module ratings suitable for many control applications.

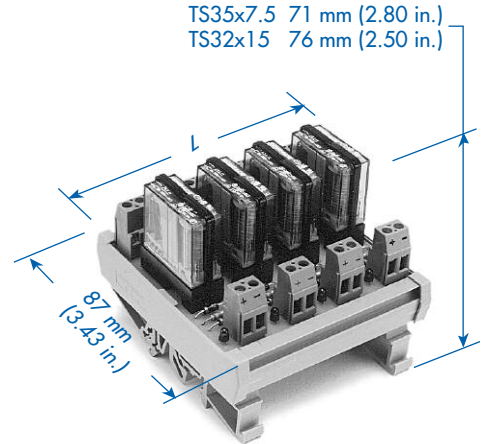
- Resistive: 15A at 250V AC/30V DC
- Inductive: 8A at 250V AC/30V DC
- Tungsten (TV-3): 3A at 120V AC
- Motor: 1/3hp at 120V AC
1/2hp at 250V AC

- Screw-Cage Clamp Connection
- LED Coil Voltage Indicator
- Reverse DC Polarity LED Protection
- Surge Suppression With DC Coils
- Industry Standard Relays^a
- DIN Rail Mount, Panel Mount Available

**RMH1 - 1 Channel
Single Pole Double Throw**



**RMH4 - 4 Channel
Single Pole Double Throw**



Wire Range	Contact Ratings	
	Current	Voltage
0.5-4mm ² 30-14 AWG	15A	250VAC/ 30VDC

Wire Range	Contact Ratings	
	Current	Voltage
0.5-4mm ² 30-14 AWG	15A	250VAC/ 30VDC

Ordering Information	Type	Cat. No.	LED ^b (2mA)	Type	Cat. No.	LED ^c (2mA)
Relay Module, Coil Voltage						
5V DC	RMH1B	8905.2	Yellow	RMH4B	8905.3	Yellow
6V DC	RMH1C	8906.2	Green	RMH4C	8906.3	Green
12V DC	RMH1E	8907.2	Red	RMH4E	8907.3	Red
24V DC	RMH1G	5800.2	Yellow	RMH4G	5800.3	Yellow
48V DC	RMH1J	5802.2	Green	RMH4J	5802.3	Green
60V DC	RMH1K	8908.2	Red	RMH4K	8908.3	Red
110V DC	RMH1M	5803.2	Red	RMH4M	5803.3	Red
6V AC	RMH1N	8909.2	Green	RMH4N	8909.3	Green
12V AC	RMH1R	8910.2	Red	RMH4R	8910.3	Red
24V AC	RMH1S	5801.2	Red	RMH4S	5801.3	Red
50V AC	RMH1T	8911.2	Red	RMH4T	8911.3	Red
110V AC	RMH1U	5804.2	Yellow	RMH4U	5804.3	Yellow
220V AC	RMH1X	5805.2	Green	RMH4X	5805.3	Green
240V AC	RMH1Y	5806.2	Red	RMH4Y	5806.3	Red

Std. Pk.: 1

Std. Pk.: 1

General Relay Specifications (Typical)

Mechanical Life:	30 x 10 ⁶ ops
Max. No. of Switching Cycles at Rated Load:	1200 ops/hr
Operate Time (pick-up):	9ms
Release Time (drop-out):	3ms
Bounce Time:	2ms

Module Length (L) 21mm (0.83 in.)

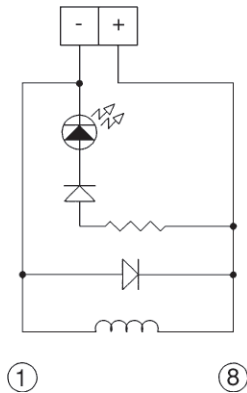
Module Length (L) 79mm (3.11 in.)

^a Catalog specifications from several manufacturers of the 16 Amp (dual 8 Amp) relay are available, please consult Altech.

^b For alternate LED colors, please consult Altech.

^c For alternate LED colors, please consult Altech.

DC Coil Circuit



DC Coil Circuit Specifications (Typical)

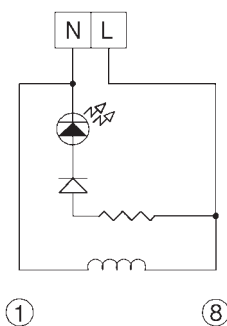
Ambient temperature range: -40° to 70°C (-40° to 158°F)

Table values are for cold coil at 20°C (68°F) and exclude coil exterior circuit.

Coil Voltage V AC	Operate (pull-in) V Max. V AC	Drop-Out (rel.) V Min. V AC	Coil Current mA(50/60Hz)	Coil Resistance Ohms
5	3.5	0.5	92.6	54±15%
6	4.2	0.6	88.2	68±10%
12	8.7	1.2	44.4	270±10%
24	16.8	2.4	21.8	1,100±15%
48	33.6	4.8	11.4	4,200±15%
60	42.0	6.0	9.2	6,540±15%
110	77.0	11.0	4.8	23,100±15%

Diode: 1N4007 or equivalent

AC Coil Circuit



AC Coil Circuit Specifications (Typical)

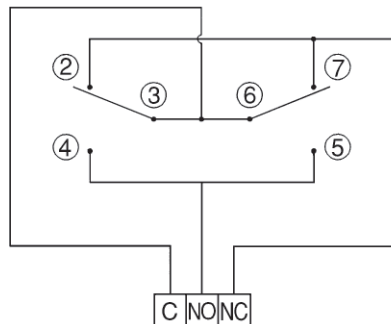
Ambient temperature range: -40° to 60°C (-40° to 140°F)

Table values are for cold coil at 20°C (68°F) and exclude coil exterior circuit.

Coil Voltage V AC	Operate (pull-in) V Max. V AC	Drop-Out (rel.) V Min. V AC	Coil Current mA(50/60Hz)	Coil Resistance Ohms
6	4.8	1.8	190/150	15±10%
12	9.6	3.6	90/75	65±10%
24	19.2	7.2	44/35	280±10%
50	40.0	15.0	22/18	1,130±10%
115	92.0	34.5	11/9	5,600±15%
220	176.0	66.0	5/4	23,400±15%
240	176.0	66.0	4.7/4.1	23,400±15%

Diode: 1N4007 or equivalent

Contact Circuit



Contact Specifications (Typical)

Rated Current (Resistive):	16A
Rated Current (Ind. P.F. = 0.4):	8A
At Rated Voltage:	30V DC, 250V AC
Max. Operating Voltage:	125V DC, 380V AC
Breaking Current (Resistive):	25A
Breaking Capacity (Resistive):	4,000VA
Contact Material:	AgCdO
Contact Electrical Life:	Min. 10 ⁵ ops (AC Resistive Load)