

# Abox 025 – Polystyrene – 80x80mm (3.15x3.15in.)

## Standard Features

- **Protection Level:** IP65
- **Technical:** Self Sealing Soft Elastic Membranes  
Suitable for Metric Entry
- **Sealing Area:** M20 - 2 to 16mm
- **Enclosure Material:** Polystyrene
- **Gasket Material:** Polyurethane
- **Color:** Light Gray or White
- **Temperature Range:** Polystyrene  
-40°C to 70°C (-40°F to 158°F)
- **Accessories:** See section below



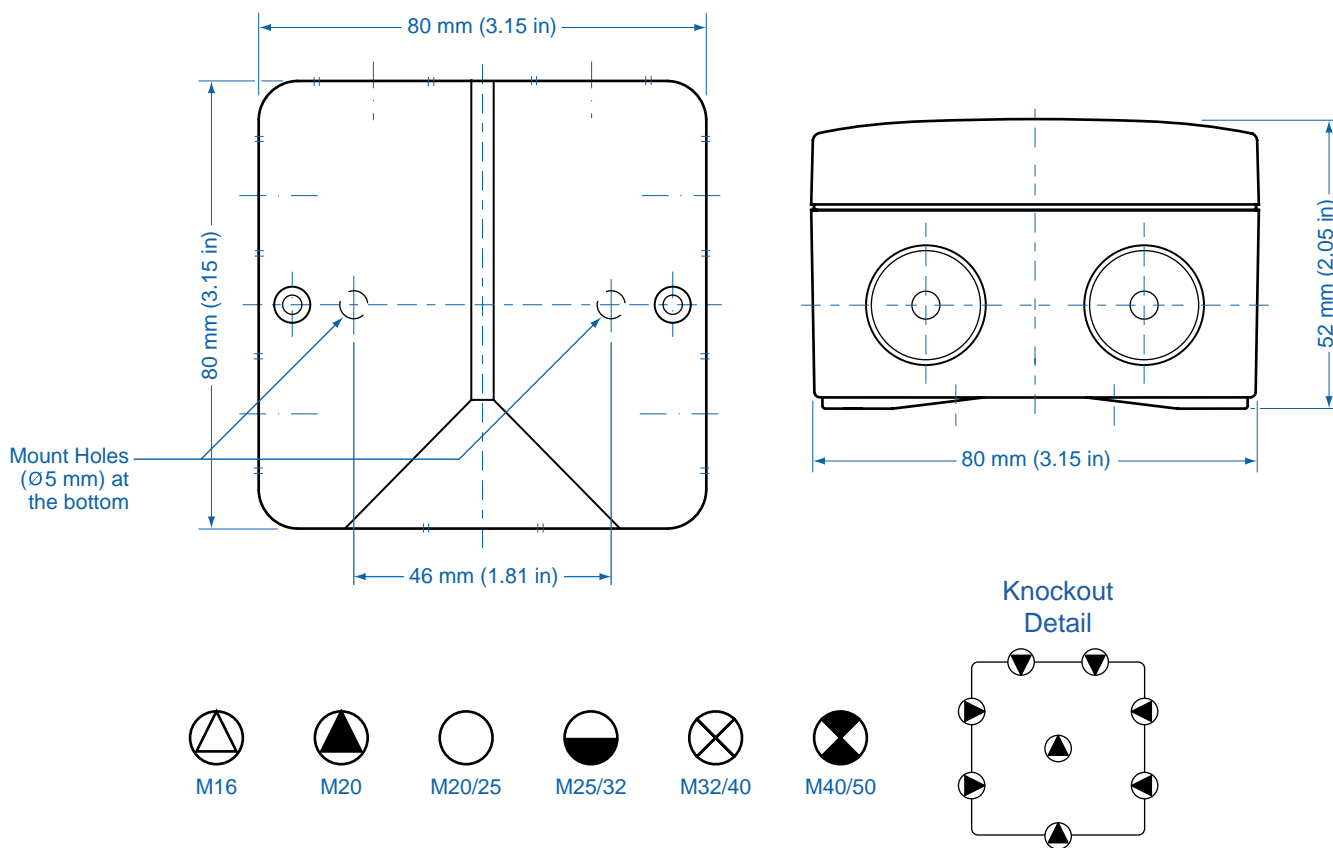
## Abox

Ordering Information	Cat. No.	Color	Terminal	Length	Dimensions mm (in)		Std. Pk.
					Width	Height	
Enclosure with terminals	802-407	gray	2.5 mm <sup>2</sup> - 5 pole	80 mm (3.15 in)	80 mm (3.15 in)	52 mm (2.05 in)	3
Enclosure with terminals	802-107	white	2.5 mm <sup>2</sup> - 5 pole	80 mm (3.15 in)	80 mm (3.15 in)	52 mm (2.05 in)	3
Enclosure - empty	802-907	gray	NA	80 mm (3.15 in)	80 mm (3.15 in)	52 mm (2.05 in)	3
Enclosure - empty	802-607	white	NA	80 mm (3.15 in)	80 mm (3.15 in)	52 mm (2.05 in)	3

## Accessories

Ordering Information	Cat. No.	Type	Std. Pk.
Terminal	840-004	2.5/4 mm <sup>2</sup> - 5 pole	10

Please refer to pages 106-113 for additional accessories and detailed information.



**Standard Features**

- **Protection Level:** IP65
- **Technical:** Self Sealing Soft Elastic Membranes  
Suitable for Metric Entry  
Integral External Fixing Brackets
- **Sealing Area:** M20 - 2 to 16mm
- **Enclosure Material:** Polystyrene
- **Gasket Material:** Polyurethane
- **Color:** Light Gray or White
- **Temperature Range:** Polystyrene  
-40°C to 70°C (-40°F to 158°F)
- **Accessories:** See section below



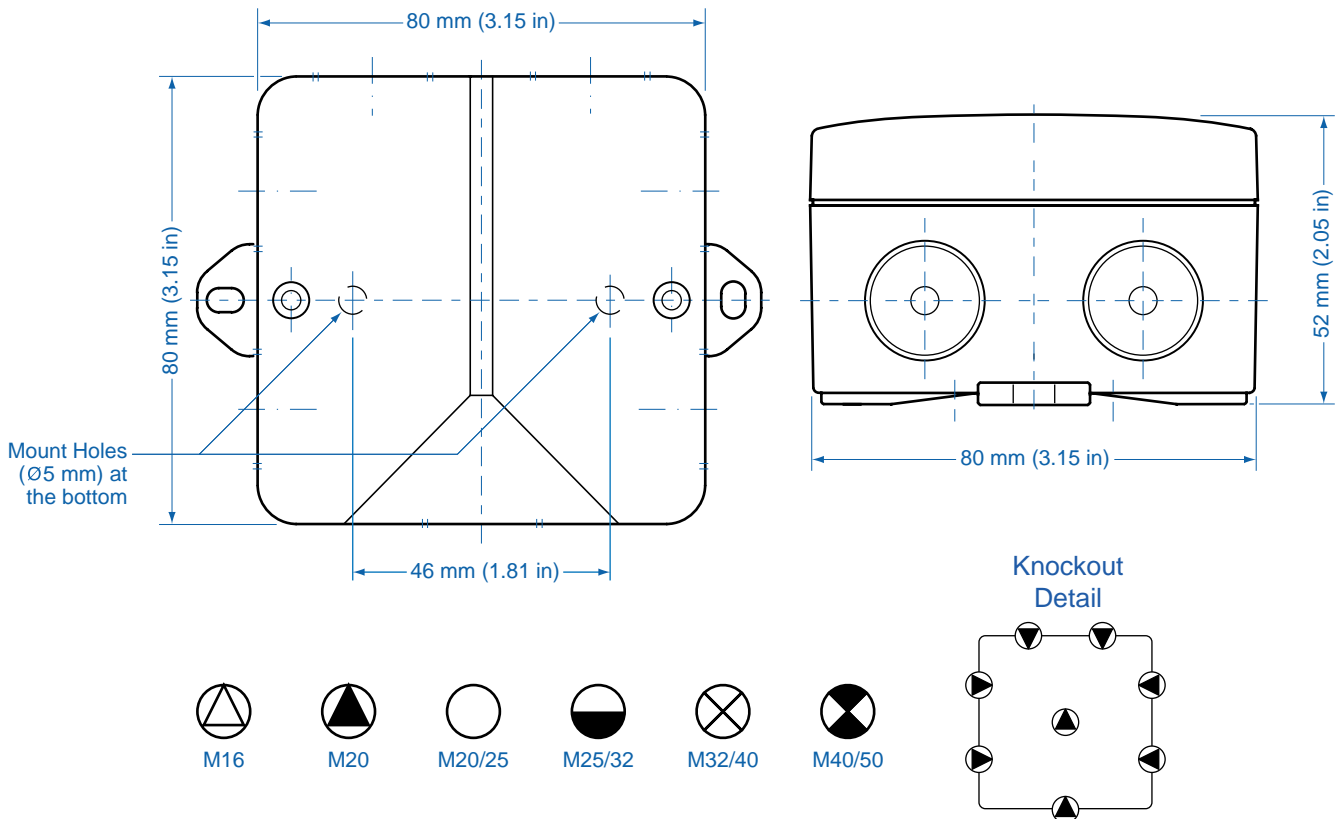
**Abox**

Ordering Information	Cat. No.	Color	Terminal	Length	Dimensions mm (in)		Std. Pk.
					Width	Height	
Enclosure with terminals	803-407	gray	2.5 mm <sup>2</sup> - 5 pole	80 mm (3.15 in)	80 mm (3.15 in)	52 mm (2.05 in)	3
Enclosure with terminals	803-107	white	2.5 mm <sup>2</sup> - 5 pole	80 mm (3.15 in)	80 mm (3.15 in)	52 mm (2.05 in)	3
Enclosure - empty	803-907	gray	NA	80 mm (3.15 in)	80 mm (3.15 in)	52 mm (2.05 in)	3
Enclosure - empty	803-607	white	NA	80 mm (3.15 in)	80 mm (3.15 in)	52 mm (2.05 in)	3

**Accessories**

Ordering Information	Cat. No.	Type	Std. Pk.
Terminal	840-004	2.5/4 mm <sup>2</sup> - 5 pole	10

Please refer to pages 106-113 for additional accessories and detailed information.



# Abox 040 – Polystyrene – 93x93mm (3.66x3.66in.)

## Standard Features

- **Protection Level:** IP65
- **Technical:** Self Sealing Soft Elastic Membranes  
Suitable for Metric Entry
- **Sealing Area:** M20 - 2 to 16mm
- **Enclosure Material:** Polystyrene
- **Gasket Material:** Polyurethane
- **Color:** Light Gray or White
- **Temperature Range:** Polystyrene  
-40°C to 70°C (-40°F to 158°F)
- **Accessories:** See section below



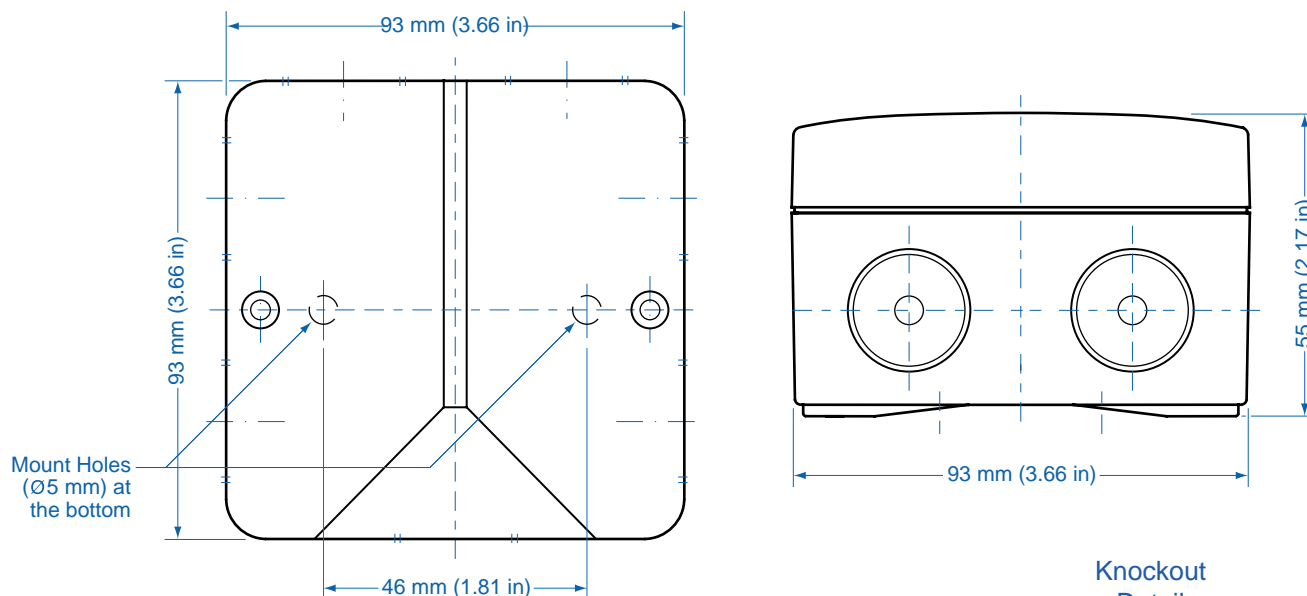
## Abox

Ordering Information	Cat. No.	Color	Terminal	Length	Dimensions mm (in)		Std. Pk.
					Width	Height	
Enclosure with terminals	804-407	gray	4 mm <sup>2</sup> - 5 pole	93 mm (3.66 in)	93 mm (3.66 in)	55 mm (2.17 in)	3
Enclosure with terminals	804-107	white	4 mm <sup>2</sup> - 5 pole	93 mm (3.66 in)	93 mm (3.66 in)	55 mm (2.17 in)	3
Enclosure - empty	804-907	gray	NA	93 mm (3.66 in)	93 mm (3.66 in)	55 mm (2.17 in)	3
Enclosure - empty	804-607	white	NA	93 mm (3.66 in)	93 mm (3.66 in)	55 mm (2.17 in)	3

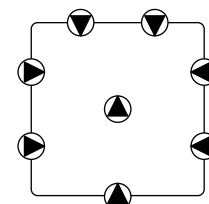
## Accessories

Ordering Information	Cat. No.	Type	Std. Pk.
Terminal	840-004	2.5/4 mm <sup>2</sup> - 5 pole	10

Please refer to pages 106-113 for additional accessories and detailed information.



Knockout Detail



**Standard Features**

- **Protection Level:** IP54\* / IP65\*\*
- **Technical:** Knockout Sidewalls
- **Enclosure Material:** Polystyrene
- **Gasket Material:** Polyurethane
- **Color:** Light Gray
- **Temperature Range:** Polystyrene  
-40°C to 70°C (-40°F to 158°F)
- **Included Accessories:** (4) M25 Entry Spouts for Cables 9-18mm  
(1) M25 Sealing Plug
- **Accessories:** See section below



\* With Supplied Entry Spouts  
 \*\* As Equipped or With Optional IP65 Cable Glands

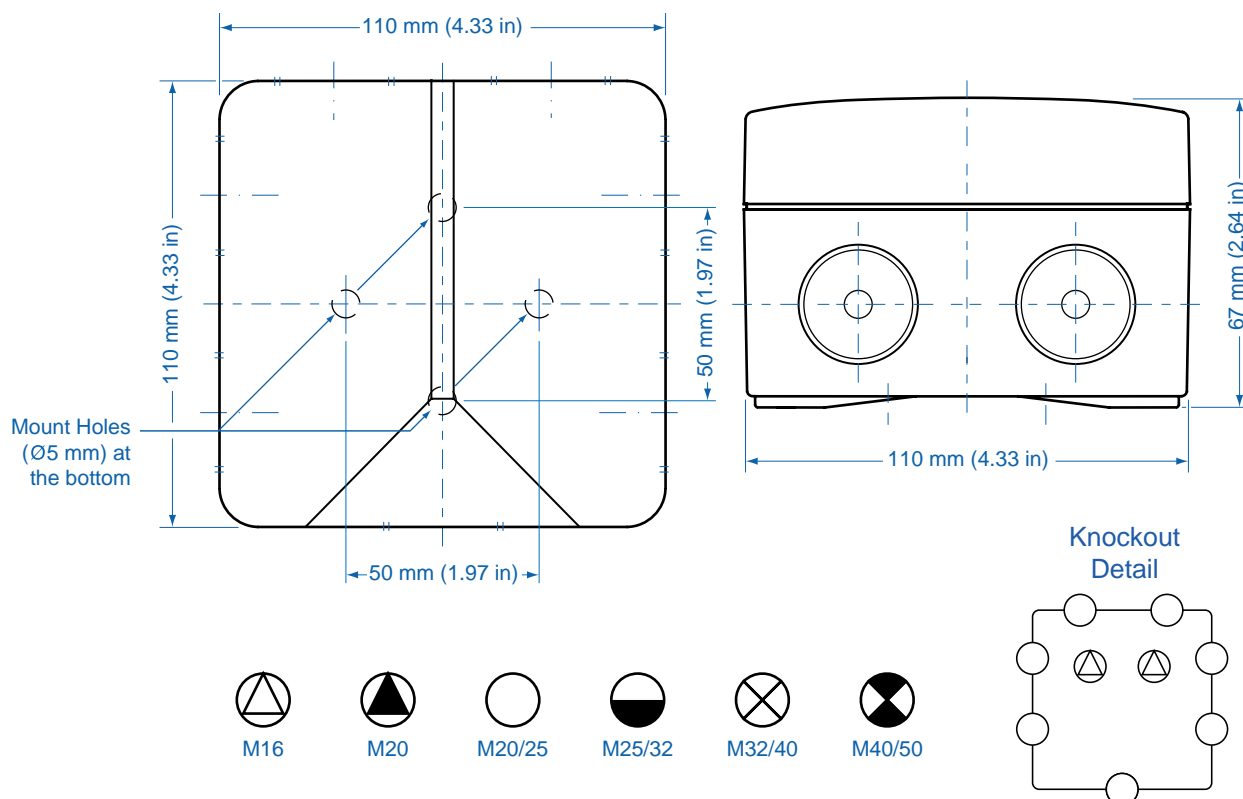
**Abox**

Ordering Information	Cat. No.	Color	Terminal	Length	Dimensions mm (in)	Width	Height	Std. Pk.
Enclosure with terminals	806-407	gray	6 mm <sup>2</sup> - 5 pole	110 mm (4.33 in)	110 mm (4.33 in)	67 mm (2.64 in)		2
Enclosure - empty	806-907	gray	NA	110 mm (4.33 in)	110 mm (4.33 in)	67 mm (2.64 in)		2

**Accessories**

Ordering Information	Cat. No.	Type	Std. Pk.
Mounting Plate	895-006	MP060	1
DIN Rail TS 35 – 35x81 mm	Z-650	TS 35/81	1
DIN Rail TS 15 – 15x87 mm	Z-631	TS15/87	1
Terminal	840-006	6 mm <sup>2</sup> - 5 pole	5

Please refer to pages 106-113 for additional accessories and detailed information.



# Abox 100 – Polystyrene – 140x140mm (5.51x5.51in.)

## Standard Features

- **Protection Level:** IP54\* / IP65\*\*
- **Technical:** Knockout Sidewalls
- **Enclosure Material:** Polystyrene
- **Gasket Material:** Polyurethane
- **Color:** Light Gray
- **Temperature Range:** Polystyrene  
-40°C to 70°C (-40°F to 158°F)
- **Included Accessories:** (4) M32 Entry Spouts for Cables 11-23mm  
(1) M32 Sealing Plug
- **Accessories:** See section below



- \* With Supplied Entry Spouts
- \*\* As Equipped or With Optional IP65 Cable Glands

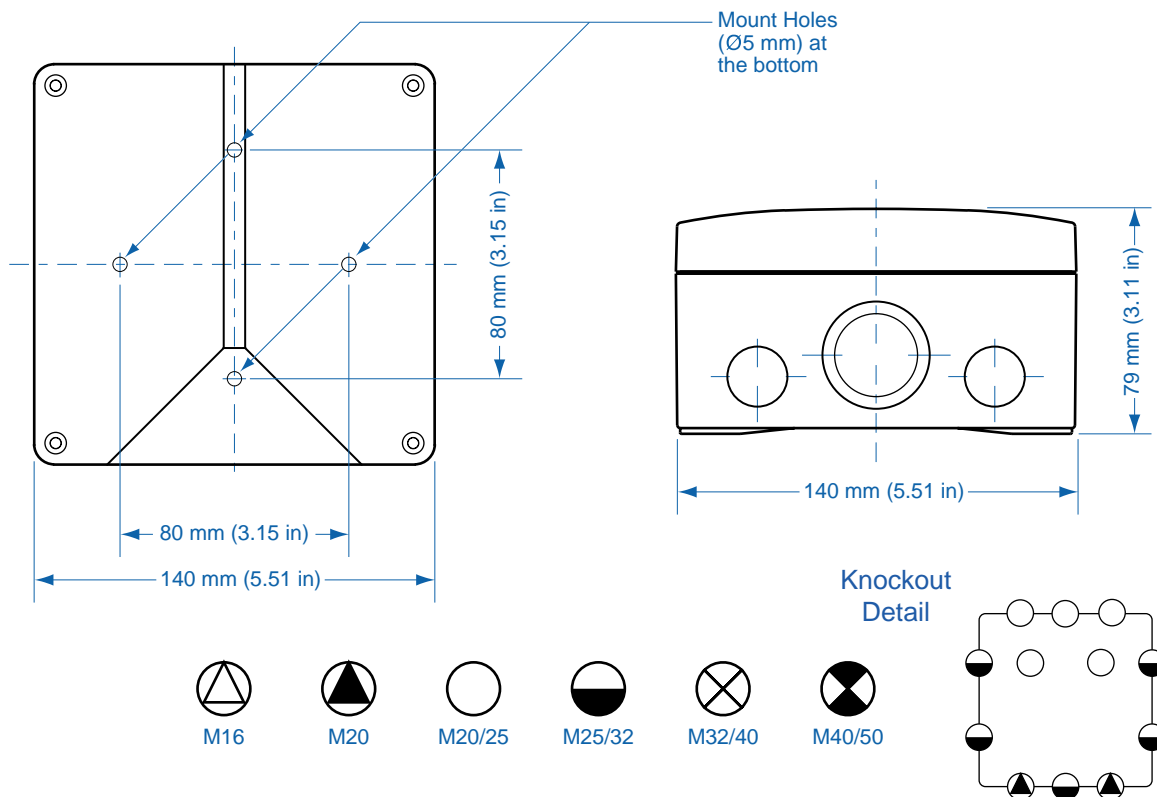
## Abox

Ordering Information.	Cat. No	Color	Terminal	Length	Dimensions mm (in)		Std. Pk.
					Width	Height	
Enclosure with terminals	810-410	gray	10 mm <sup>2</sup> -5 pole	140 mm (5.51 in)	140 mm (5.51 in)	79 mm (3.11 in)	2
Enclosure - empty	810-910	gray	NA	140 mm (5.51 in)	140 mm (5.51 in)	79 mm (3.11 in)	2

## Accessories

Ordering Information	Cat. No.	Type	Std. Pk.
Mounting Plate	895-010	MP100	1
DIN Rail TS 35 – 35x106 mm	Z-658	TS 35/106	1
Terminal	840-010	10 mm <sup>2</sup> - 5 pole	5

Please refer to pages 106-113 for additional accessories and detailed information.



**Standard Features**

- **Protection Level:** IP54\* / IP65\*\*
- **Technical:** Knockout Sidewalls
- **Enclosure Material:** Polystyrene
- **Gasket Material:** Polyurethane
- **Color:** Light Gray
- **Temperature Range:** Polystyrene  
-40°C to 70°C (-40°F to 158°F)
- **Included Accessories:** (4) M40 Entry Spouts for Cables 17-30mm  
(1) M40 Sealing Plug  
(1) Tamper Kit
- **Accessories:** See section below



\* With Supplied Entry Spouts

\*\*As Equipped or With Optional IP65 Cable Glands

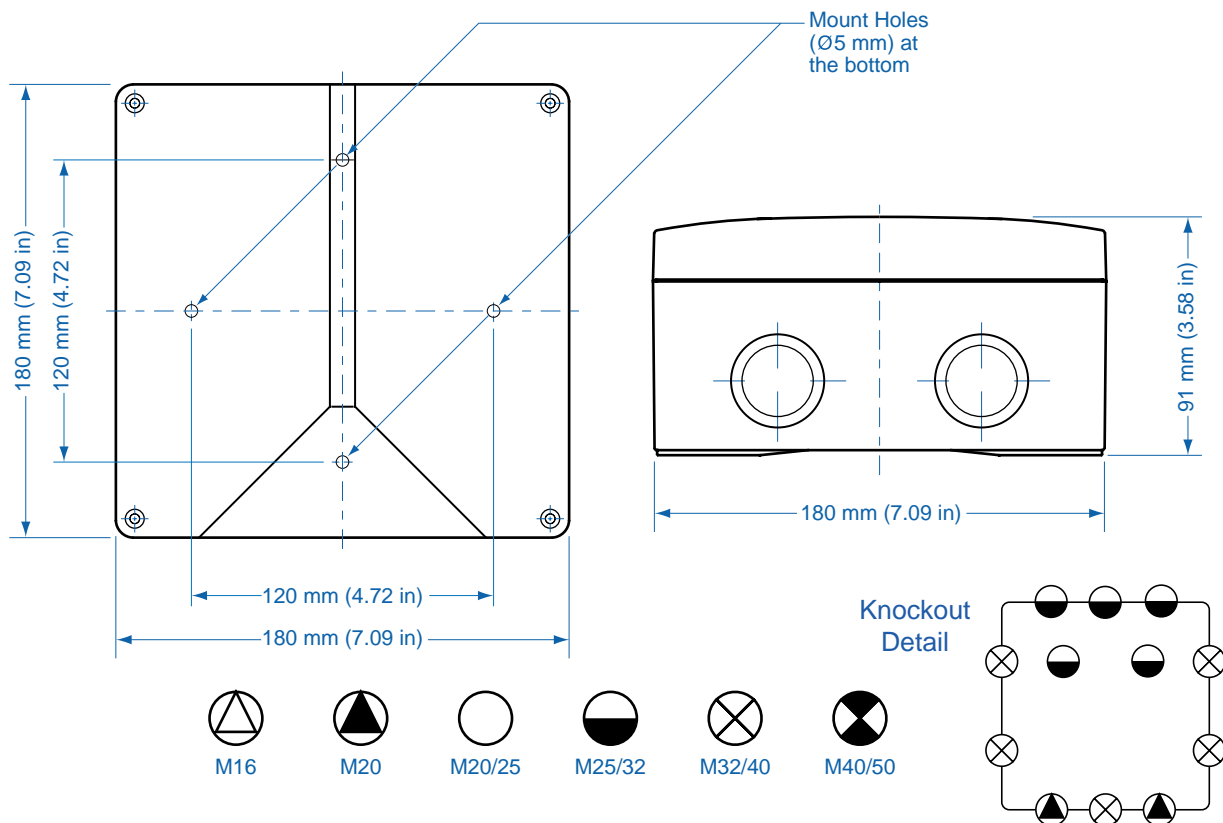
**Abox**

Ordering Information	Cat. No.	Color	Terminal	Length	Dimensions mm (in)		Std. Pk.
					Width	Height	
Enclosure with terminals	816-410	gray	16/25 mm <sup>2</sup> -5 pole	180 mm (7.09 in)	180 mm (7.09 in)	91 mm (3.58 in)	1
Enclosure - empty	816-910	gray	NA	180 mm (7.09 in)	180 mm (7.09 in)	91 mm (3.58 in)	1

**Accessories**

Ordering Information	Cat. No.	Type	Std. Pk.
Mounting Plate	895-016	MP160	1
DIN Rail TS 35 – 35x144 mm	Z-655	TS 35/144	1
Terminal with supports	840-016	16/25mm <sup>2</sup> - 5 pole	2

Please refer to pages 106-113 for additional accessories and detailed information.



# Abox 350 – Polystyrene – 250x250mm (9.84x9.84in.)

## Standard Features

- **Protection Level:** IP54\* / IP65\*\*
- **Technical:** Knockout Sidewalls
- **Enclosure Material:** Polystyrene
- **Gasket Material:** Polyurethane
- **Color:** Light Gray
- **Temperature Range:** Polystyrene  
-40°C to 70°C (-40°F to 158°F)
- **Included Accessories:** (4) M40 Entry Spouts for Cables 17-30mm  
(1) M40 Sealing Plug  
(1) Tamper Kit
- **Accessories:** See section below

\* With Supplied Entry Spouts

\*\*As Equipped or With Optional IP65 Cable Glands



## Abox

Ordering Information	Cat. No.	Color	Terminal	Length	Dimensions mm (in)		Std. Pk.
					Width	Height	
Enclosure with terminals	835-410	gray	35/25 mm <sup>2</sup> - 5 pole	250 mm (9.84 in)	250 mm (9.84 in)	115 mm (4.53 in)	1
Enclosure - empty	835-910	gray	NA	250 mm (9.84 in)	250 mm (9.84 in)	115 mm (4.53 in)	1

## Accessories

Ordering Information	Cat. No.	Type	Std. Pk.
Mounting Plate	895-035	MP350	1
DIN Rail TS 35 – 35x216 mm	Z-652	TS 35/216	1
Terminal with supports	840-035	35/25 mm <sup>2</sup> - 5 pole	1

Please refer to pages 106-113 for additional accessories and detailed information.

