

**INTERFACES**

**Relay Modules - High Current Isolated Channels - 15 Amp 35 or 32mm DIN Rail**

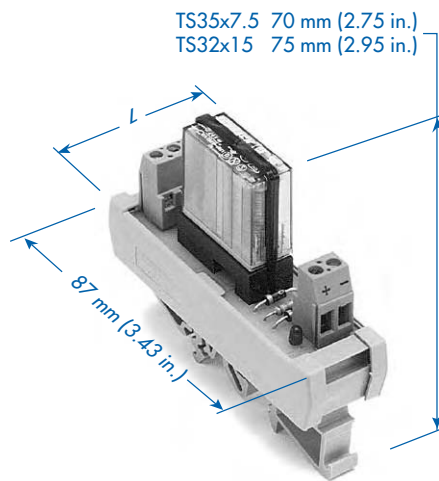
A true high-current rating in a DIN Rail mount miniature relay module. The miniature relays used in the Altech RMH have a SPDT (Form C) 16 Amp continuous current rating, developed from dual 8 Amp contacts that are internally connected in parallel. The relay socket is rated dual 8 Amp. Printed circuit traces are balanced, rated 16 Amp and connect to Altech terminal blocks UL rated 15A/300V.

Typical relay specifications combined with other module component ratings give module ratings suitable for many control applications.

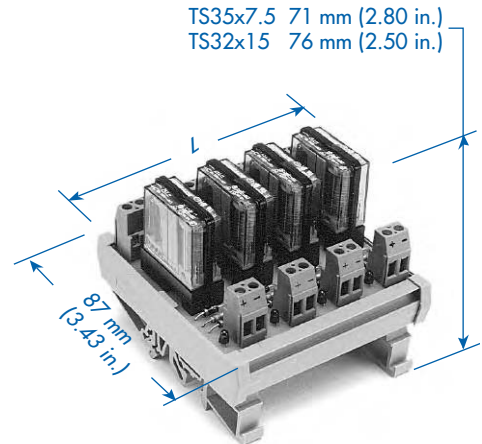
- Resistive: 15A at 250V AC/30V DC
- Inductive: 8A at 250V AC/30V DC
- Tungsten (TV-3): 3A at 120V AC
- Motor: 1/3hp at 120V AC  
1/2hp at 250V AC

- Screw-Cage Clamp Connection
- LED Coil Voltage Indicator
- Reverse DC Polarity LED Protection
- Surge Suppression With DC Coils
- Industry Standard Relays<sup>a</sup>
- DIN Rail Mount, Panel Mount Available

**RMH1 - 1 Channel Single Pole Double Throw**



**RMH4 - 4 Channel Single Pole Double Throw**



Wire Range	Contact Ratings	
	Current	Voltage
0.5-4mm <sup>2</sup> 30-14 AWG	15A	250VAC/ 30VDC

Wire Range	Contact Ratings	
	Current	Voltage
0.5-4mm <sup>2</sup> 30-14 AWG	15A	250VAC/ 30VDC

**Ordering Information**

**Relay Module, Coil Voltage**

- 5V DC
- 6V DC
- 12V DC
- 24V DC
- 48V DC
- 60V DC
- 110V DC

- 6V AC
- 12V AC
- 24V AC
- 50V AC
- 110V AC
- 220V AC
- 240V AC

Type	Cat. No.	LED <sup>b</sup> (2mA)
RMH1B	8905.2	Yellow
RMH1C	8906.2	Green
RMH1E	8907.2	Red
RMH1G	5800.2	Yellow
RMH1J	5802.2	Green
RMH1K	8908.2	Red
RMH1M	5803.2	Red

RMH1N	8909.2	Green
RMH1R	8910.2	Red
RMH1S	5801.2	Red
RMH1T	8911.2	Red
RMH1U	5804.2	Yellow
RMH1X	5805.2	Green
RMH1Y	5806.2	Red

Type	Cat. No.	LED <sup>c</sup> (2mA)
RMH4B	8905.3	Yellow
RMH4C	8906.3	Green
RMH4E	8907.3	Red
RMH4G	5800.3	Yellow
RMH4J	5802.3	Green
RMH4K	8908.3	Red
RMH4M	5803.3	Red

RMH4N	8909.3	Green
RMH4R	8910.3	Red
RMH4S	5801.3	Red
RMH4T	8911.3	Red
RMH4U	5804.3	Yellow
RMH4X	5805.3	Green
RMH4Y	5806.3	Red

Std. Pk.: 1

Std. Pk.: 1

**General Relay Specifications (Typical)**

Mechanical Life:	30 x 10 <sup>6</sup> ops
Max. No. of Switching Cycles at Rated Load:	1200 ops/hr
Operate Time (pick-up):	9ms
Release Time (drop-out):	3ms
Bounce Time:	2ms

Module Length (L) 21mm (0.83 in.)

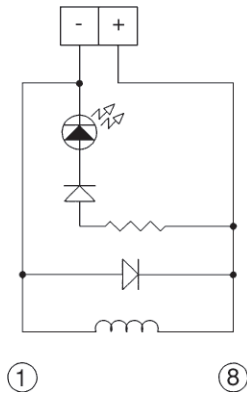
Module Length (L) 79mm (3.11 in.)

<sup>a</sup> Catalog specifications from several manufacturers of the 16 Amp (dual 8 Amp) relay are available, please consult Altech.

<sup>b</sup> For alternate LED colors, please consult Altech.

<sup>c</sup> For alternate LED colors, please consult Altech.

## DC Coil Circuit



## DC Coil Circuit Specifications (Typical)

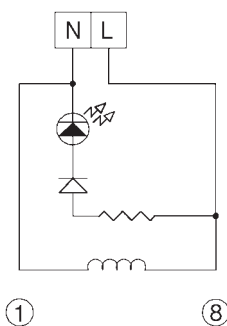
Ambient temperature range: -40° to 70°C (-40° to 158°F)

Table values are for cold coil at 20°C (68°F) and exclude coil exterior circuit.

Coil Voltage V AC	Operate (pull-in) V Max. V AC	Drop-Out (rel.) V Min. V AC	Coil Current mA(50/60Hz)	Coil Resistance Ohms
5	3.5	0.5	92.6	54±15%
6	4.2	0.6	88.2	68±10%
12	8.7	1.2	44.4	270±10%
24	16.8	2.4	21.8	1,100±15%
48	33.6	4.8	11.4	4,200±15%
60	42.0	6.0	9.2	6,540±15%
110	77.0	11.0	4.8	23,100±15%

Diode: 1N4007 or equivalent

## AC Coil Circuit



## AC Coil Circuit Specifications (Typical)

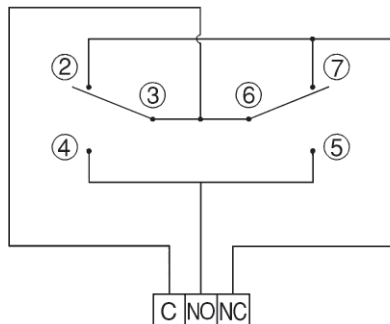
Ambient temperature range: -40° to 60°C (-40° to 140°F)

Table values are for cold coil at 20°C (68°F) and exclude coil exterior circuit.

Coil Voltage V AC	Operate (pull-in) V Max. V AC	Drop-Out (rel.) V Min. V AC	Coil Current mA(50/60Hz)	Coil Resistance Ohms
6	4.8	1.8	190/150	15±10%
12	9.6	3.6	90/75	65±10%
24	19.2	7.2	44/35	280±10%
50	40.0	15.0	22/18	1,130±10%
115	92.0	34.5	11/9	5,600±15%
220	176.0	66.0	5/4	23,400±15%
240	176.0	66.0	4.7/4.1	23,400±15%

Diode: 1N4007 or equivalent

## Contact Circuit



## Contact Specifications (Typical)

Rated Current (Resistive):	16A
Rated Current (Ind. P.F. = 0.4):	8A
At Rated Voltage:	30V DC, 250V AC
Max. Operating Voltage:	125V DC, 380V AC
Breaking Current (Resistive):	25A
Breaking Capacity (Resistive):	4,000VA
Contact Material:	AgCdO
Contact Electrical Life:	Min. 10 <sup>5</sup> ops (AC Resistive Load)