

## TABLE OF CONTENTS



### MINIATURE

Mini fuses in five sizes to 20 Amps.

- Slow Blow
- Medium Blow
- Fast Blow
- Super Fast Blow

Fuses **4-5**



### DIAZED

"Bottle" fuses in five sizes to 200 Amps.

- gL/gG - Slow Blow
- Fast Blow
- gR - Semiconductor Protection

Fuses **6-7**  
Accessories **10-11**



### NEOZED

Compact fuses in three sizes to 100 Amps.

- gL/gG - Slow Blow
- gR - Semiconductor Protection

Fuses **8-9**  
Accessories **10-11**



### CYLINDER

Standard cylinder fuses are available in four sizes to 125 Amps, with or without blown fuse Indicator Pins.

- gL/gF - Line Protection
- aM - Motor Protection
- gR - Semiconductor Protection

Cylinder Bolt fuses are available in two diameters with multiple fixing centers.

- gR - Semiconductor Protection

Fuses - Standard **12-13**  
Fuses - Bolt **14**  
Accessories **15**



### NH

Knife Blade or Stud Mount designs in six sizes with current ratings of 2 to 1600 Amps.

- gL/gG - Line Protection
- aM - Motor Protection
- gR/aR - Semiconductor Protection

Fuses **16-21**  
Accessories **19**



### ITALIAN

Cylinder style fuses available in four sizes with current ratings from 2 to 100 Amps.

- gL - Line Protection

Fuses **22**



### BRITISH

British Line Protection fuses are available with four mounting plate designs with current ratings from 2 to 63 Amps.

• gG - Line Protection  
British Semiconductor fuses are available in single and double body units with multiple diameters and fixing centers.

- aR - Semiconductor Protection

Fuses - Line **23**  
Fuses - Semi. **24-25**



### SQUARE BODY

Square body fuses for semiconductor devices to 1000 Amps.

- aR - Semiconductor Protection

Fuses **26-31**  
Accessories **19**



### HIGH VOLTAGE

Fuses for distribution circuits in four sizes to 36KV.

Fuses **32-33**



### ACCESSORIES

- Screw Caps
- Adapter Screws and Rings
- Fuse Base Covers
- Fuse Bases
- Tools
- End Plates
- Microswitches
- Terminal Covers
- Fuse Handles

**10-11, 15, 19**

Siemens Cross Reference **34-35**

# CYLINDER

Cylinder Fuses are typically used in industrial applications to protect electrical devices such as motors, drives, etc.

They are available in four sizes with a current range from 1 to 125 Amps. Cylinder Fuses have metal caps at both ends, and a porcelain fuse body.

Please refer to pg 15 for ordering information for Cylinder Fuse Bases.

## Operating Class

### gI / gF - Line Protection

Slow Blow, typically used for power distribution and resistive loads.

Typical Markings: gI, gF

### aM - Motor Protection

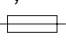

Fast acting short circuit protection, but slow acting overload protection.

Typical Marking: aM

Green imprint.

### gR - Semiconductor Protection

Typically used for protecting semiconductors like diodes, SCR's etc. Current limiting, super fast blow.

Typical Markings: Ultra Rapid™, Ultra Quick™, Protister™, gR,    
Mostly red or blue imprint.



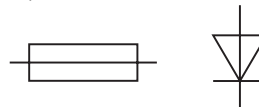
**8 x 32**

Ordering Information	Current/ Voltage	Cat. No.	Std. Pk.
<b>Slow Blow - Operating Class gI</b> (IEC 269 / CEI 32) Line Protection	1/380V AC	<b>1C8x32GI</b>	10
	2/380V AC	<b>2C8x32GI</b> <sup>1</sup>	10
	4/380V AC	<b>4C8x32GI</b> <sup>1</sup>	10
	6/380V AC	<b>6C8x32GI</b> <sup>1</sup>	10
	8/380V AC	<b>8C8x32GI</b> <sup>1</sup>	10
	10/380V AC	<b>10C8x32GI</b> <sup>1</sup>	10
	12/380V AC	<b>12C8x32GI</b> <sup>1</sup>	10
	16/380V AC	<b>16C8x32GI</b> <sup>1</sup>	10
	20/380V AC	<b>20C8x32GI</b> <sup>1</sup>	10
	25/380V AC	<b>25C8x32GI</b> <sup>1</sup>	10
	<b>Fast Blow - Operating Class aM</b> (IEC 269 / CEI 32) Motor Protection	1/380V AC	<b>1C8x32AM</b>
2/380V AC		<b>2C8x32AM</b>	10
4/380V AC		<b>4C8x32AM</b>	10
6/380V AC		<b>6C8x32AM</b>	10
8/380V AC		<b>8C8x32AM</b>	10
10/380V AC		<b>10C8x32AM</b>	10

**Semiconductor Protection - Operating Class gR**  
(VDE 0636 / IEC 269)  
Semiconductor Protection



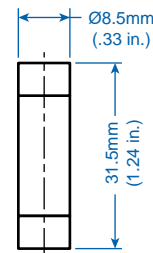
USA  
upon request



<sup>1</sup> Also available with Indicator. When ordering Fuse with Indicator, designate suffix "/I" after the Cat. No. (Ex. 2C10x38GI/I). Semiconductor fuses are supplied with Striker Pin as indicator.

<sup>2</sup> Also available with Striker Pin. When ordering Fuse with Striker Pin, designate suffix "/IS" after the Cat. No. (Ex. 2C14x51GI/IS).

<sup>3</sup> UL recognized version available upon request.



Dimensions to NFC 61200, NFC 63210, NFC 63211 (NFC = French Standard)



**10 x 38**

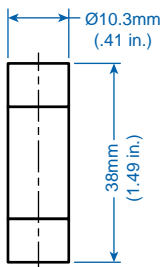


**14 x 51**

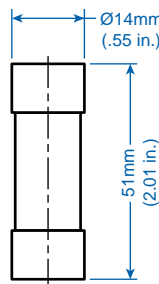


**22 x 58**

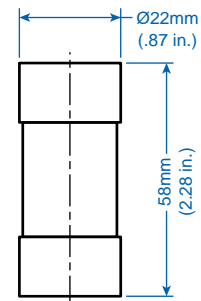
Current/ Voltage	Cat. No.	Std. Pk.	Current/ Voltage	Cat. No.	Std. Pk.	Current/ Voltage	Cat. No.	Std. Pk.
0.5/500V AC	<b>0.5C10x38GI</b>	10	1/660V AC	<b>1C14x51GI</b>	10	6/660V AC	<b>6C22x58GI</b> <sup>1,2</sup>	10
1/500V AC	<b>1C10x38GI</b>	10	2/660V AC	<b>2C14x51GI</b> <sup>1,2</sup>	10	8/660V AC	<b>8C22x58GI</b> <sup>1,2</sup>	10
2/500V AC	<b>2C10x38GI</b> <sup>1</sup>	10	4/660V AC	<b>4C14x51GI</b> <sup>1,2</sup>	10	10/660V AC	<b>10C22x58GI</b> <sup>1,2</sup>	10
4/500V AC	<b>4C10x38GI</b> <sup>1</sup>	10	6/660V AC	<b>6C14x51GI</b> <sup>1,2</sup>	10	12/660V AC	<b>12C22x58GI</b> <sup>1,2</sup>	10
6/500V AC	<b>6C10x38GI</b> <sup>1</sup>	10	8/660V AC	<b>8C14x51GI</b> <sup>1,2</sup>	10	16/660V AC	<b>16C22x58GI</b> <sup>1,2</sup>	10
8/500V AC	<b>8C10x38GI</b> <sup>1</sup>	10	10/660V AC	<b>10C14x51GI</b> <sup>1,2</sup>	10	20/660V AC	<b>20C22x58GI</b> <sup>1,2</sup>	10
10/500V AC	<b>10C10x38GI</b> <sup>1</sup>	10	12/660V AC	<b>12C14x51GI</b> <sup>1,2</sup>	10	25/660V AC	<b>25C22x58GI</b> <sup>1,2</sup>	10
12/500V AC	<b>12C10x38GI</b> <sup>1</sup>	10	16/660V AC	<b>16C14x51GI</b> <sup>1,2</sup>	10	32/660V AC	<b>32C22x58GI</b> <sup>1,2</sup>	10
16/500V AC	<b>16C10x38GI</b> <sup>1</sup>	10	20/660V AC	<b>20C14x51GI</b> <sup>1,2</sup>	10	40/660V AC	<b>40C22x58GI</b> <sup>1,2</sup>	10
20/500V AC	<b>20C10x38GI</b> <sup>1</sup>	10	25/660V AC	<b>25C14x51GI</b> <sup>1,2</sup>	10	50/660V AC	<b>50C22x58GI</b> <sup>1,2</sup>	10
25/500V AC	<b>25C10x38GI</b> <sup>1</sup>	10	32/500V AC	<b>32C14x51GI</b> <sup>1,2</sup>	10	63/660V AC	<b>63C22x58GI</b> <sup>1,2</sup>	10
32/400V AC	<b>32C10x38GI</b> <sup>1</sup>	10	40/500V AC	<b>40C14x51GI</b> <sup>1,2</sup>	10	80/660V AC	<b>80C22x58GI</b> <sup>1,2</sup>	10
			50/400V AC	<b>50C14x51GI</b> <sup>1,2</sup>	10	100/500V AC	<b>100C22x58GI</b> <sup>1,2</sup>	10
						125/400V AC	<b>125C22x58GI</b> <sup>1,2</sup>	10
0.5/500V AC	<b>0.5C10x38AM</b>	10	1/660V AC	<b>1C14x51AM</b> <sup>1</sup>	10	6/660V AC	<b>6C22x58AM</b> <sup>1,2</sup>	10
1/500V AC	<b>1C10x38AM</b> <sup>1</sup>	10	2/660V AC	<b>2C14x51AM</b> <sup>1,2</sup>	10	8/660V AC	<b>8C22x58AM</b> <sup>1,2</sup>	10
2/500V AC	<b>2C10x38AM</b> <sup>1</sup>	10	4/660V AC	<b>4C14x51AM</b> <sup>1,2</sup>	10	10/660V AC	<b>10C22x58AM</b> <sup>1,2</sup>	10
4/500V AC	<b>4C10x38AM</b> <sup>1</sup>	10	6/660V AC	<b>6C14x51AM</b> <sup>1,2</sup>	10	12/660V AC	<b>12C22x58AM</b> <sup>1,2</sup>	10
6/500V AC	<b>6C10x38AM</b> <sup>1</sup>	10	8/660V AC	<b>8C14x51AM</b> <sup>1,2</sup>	10	16/660V AC	<b>16C22x58AM</b> <sup>1,2</sup>	10
8/500V AC	<b>8C10x38AM</b> <sup>1</sup>	10	10/660V AC	<b>10C14x51AM</b> <sup>1,2</sup>	10	20/660V AC	<b>20C22x58AM</b> <sup>1,2</sup>	10
10/500V AC	<b>10C10x38AM</b> <sup>1</sup>	10	12/660V AC	<b>12C14x51AM</b> <sup>1,2</sup>	10	25/660V AC	<b>25C22x58AM</b> <sup>1,2</sup>	10
12/500V AC	<b>12C10x38AM</b> <sup>1</sup>	10	16/660V AC	<b>16C14x51AM</b> <sup>1,2</sup>	10	32/660V AC	<b>32C22x58AM</b> <sup>1,2</sup>	10
16/500V AC	<b>16C10x38AM</b> <sup>1</sup>	10	20/660V AC	<b>20C14x51AM</b> <sup>1,2</sup>	10	40/660V AC	<b>40C22x58AM</b> <sup>1,2</sup>	10
20/500V AC	<b>20C10x38AM</b> <sup>1</sup>	10	25/660V AC	<b>25C14x51AM</b> <sup>1,2</sup>	10	50/660V AC	<b>50C22x58AM</b> <sup>1,2</sup>	10
25/400V AC	<b>25C10x38AM</b> <sup>1</sup>	10	32/500V AC	<b>32C14x51AM</b> <sup>1,2</sup>	10	63/660V AC	<b>63C22x58AM</b> <sup>1,2</sup>	10
32/400V AC	<b>32C10x38AM</b> <sup>1</sup>	10	40/500V AC	<b>40C14x51AM</b> <sup>1,2</sup>	10	80/660V AC	<b>80C22x58AM</b> <sup>1,2</sup>	10
			50/400V AC	<b>50C14x51AM</b> <sup>1,2</sup>	10	100/500V AC	<b>100C22x58AM</b> <sup>1,2</sup>	10
						125/400V AC	<b>125C22x58AM</b> <sup>1,2</sup>	10
1/600V AC	<b>1C10x38SC</b>	10	1/660V AC	<b>1C14x51SC</b>	10	1/660V AC	<b>1C22x58SC</b> <sup>1</sup>	10
2/600V AC	<b>2C10x38SC</b>	10	2/660V AC	<b>2C14x51SC</b> <sup>1</sup>	10	2/660V AC	<b>2C22x58SC</b> <sup>1</sup>	10
4/600V AC	<b>4C10x38SC</b> <sup>3</sup>	10	4/660V AC	<b>4C14x51SC</b> <sup>1</sup>	10	4/660V AC	<b>4C22x58SC</b> <sup>1</sup>	10
6/600V AC	<b>6C10x38SC</b> <sup>3</sup>	10	6/660V AC	<b>6C14x51SC</b> <sup>1,3</sup>	10	6/660V AC	<b>6C22x58SC</b> <sup>1</sup>	10
8/600V AC	<b>8C10x38SC</b> <sup>3</sup>	10	8/660V AC	<b>8C14x51SC</b> <sup>1,3</sup>	10	8/660V AC	<b>8C22x58SC</b> <sup>1</sup>	10
10/600V AC	<b>10C10x38SC</b> <sup>3</sup>	10	10/660V AC	<b>10C14x51SC</b> <sup>1,3</sup>	10	10/660V AC	<b>10C22x58SC</b> <sup>1</sup>	10
12/600V AC	<b>12C10x38SC</b> <sup>3</sup>	10	12/660V AC	<b>12C14x51SC</b> <sup>1,3</sup>	10	12/660V AC	<b>12C22x58SC</b> <sup>1,3</sup>	10
16/600V AC	<b>16C10x38SC</b> <sup>3</sup>	10	16/660V AC	<b>16C14x51SC</b> <sup>1,3</sup>	10	16/660V AC	<b>16C22x58SC</b> <sup>1,3</sup>	10
20/600V AC	<b>20C10x38SC</b> <sup>3</sup>	10	20/660V AC	<b>20C14x51SC</b> <sup>1,3</sup>	10	20/660V AC	<b>20C22x58SC</b> <sup>1,3</sup>	10
25/600V AC	<b>25C10x38SC</b> <sup>3</sup>	10	25/660V AC	<b>25C14x51SC</b> <sup>1,3</sup>	10	25/660V AC	<b>25C22x58SC</b> <sup>1,3</sup>	10
30/600V AC	<b>30C10x38SC</b> <sup>3</sup>	10	32/660V AC	<b>32C14x51SC</b> <sup>1,3</sup>	10	32/660V AC	<b>32C22x58SC</b> <sup>1,3</sup>	10
			40/660V AC	<b>40C14x51SC</b> <sup>1,3</sup>	10	40/660V AC	<b>40C22x58SC</b> <sup>1,3</sup>	10
			50/500V AC	<b>50C14x51SC</b> <sup>1,3</sup>	10	50/660V AC	<b>50C22x58SC</b> <sup>1,3</sup>	10
						63/660V AC	<b>63C22x58SC</b> <sup>1,3</sup>	10
						80/660V AC	<b>80C22x58SC</b> <sup>1,3</sup>	10
						100/660V AC	<b>100C22x58SC</b> <sup>1,3</sup>	10



Dimensions to NFC 60200, NFC 63210, NFC 63211 (NFC = French Standard)

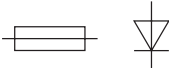


Dimensions to NFC 60200, NFC 63210, NFC 63211 (NFC = French Standard)



Dimensions to NFC 60200, NFC 63210, NFC 63211 (NFC = French Standard)

# CYLINDER with Bolt Tabs for Semiconductor Protection



Bolt tab cylinder fuses are typically used for protecting semiconductors like diodes, SCR's, etc. They are current limiting, super fast blow fuses in the gR operating class.

They are available in two diameters with multiple fixing centers. The fuses have a porcelain body, metal caps at both ends, and bolt tabs.



**14(D) x 51(L)**

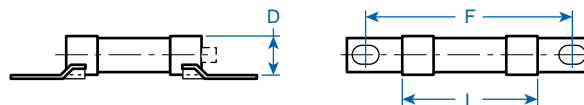


**22(D) x 58(L)**

Ordering Information	Current/ Voltage	Cat. No.	Std. Pk.	Current/ Voltage	Cat. No.	Std. Pk.
<b>63mm (2.48 in.) Fixing Center (F) Fuse</b>	1/660V AC	<b>1C14x51SC-6B</b>	10			
	2/660V AC	<b>2C14x51SC-6B<sup>1</sup></b>	10			
	4/660V AC	<b>4C14x51SC-6B<sup>1</sup></b>	10			
	6/660V AC	<b>6C14x51SC-6B<sup>1,2</sup></b>	10			
	8/660V AC	<b>8C14x51SC-6B<sup>1,2</sup></b>	10			
	10/660V AC	<b>10C14x51SC-6B<sup>1,2</sup></b>	10			
	12/660V AC	<b>12C14x51SC-6B<sup>1,2</sup></b>	10			
	16/660V AC	<b>16C14x51SC-6B<sup>1,2</sup></b>	10			
	20/660V AC	<b>20C14x51SC-6B<sup>1,2</sup></b>	10			
	25/660V AC	<b>25C14x51SC-6B<sup>1,2</sup></b>	10			
	32/660V AC	<b>32C14x51SC-6B<sup>1,2</sup></b>	10			
	40/660V AC	<b>40C14x51SC-6B<sup>1,2</sup></b>	10			
	50/500V AC	<b>50C14x51SC-6B<sup>1,2</sup></b>	10			
	<b>80mm (3.15 in.) Fixing Center (F) Fuse</b>	1/660V AC	<b>1C14x51SC-8B</b>	10	1/660V AC	<b>1C22x58SC-8B</b>
2/660V AC		<b>2C14x51SC-8B<sup>1</sup></b>	10	2/660V AC	<b>2C22x58SC-8B<sup>1</sup></b>	10
4/660V AC		<b>4C14x51SC-8B<sup>1</sup></b>	10	4/660V AC	<b>4C22x58SC-8B<sup>1</sup></b>	10
6/660V AC		<b>6C14x51SC-8B<sup>1,2</sup></b>	10	6/660V AC	<b>6C22x58SC-8B<sup>1</sup></b>	10
8/660V AC		<b>8C14x51SC-8B<sup>1,2</sup></b>	10	8/660V AC	<b>8C22x58SC-8B<sup>1</sup></b>	10
10/660V AC		<b>10C14x51SC-8B<sup>1,2</sup></b>	10	10/660V AC	<b>10C22x58SC-8B<sup>1</sup></b>	10
12/660V AC		<b>12C14x51SC-8B<sup>1,2</sup></b>	10	12/660V AC	<b>12C22x58SC-8B<sup>1,2</sup></b>	10
16/660V AC		<b>16C14x51SC-8B<sup>1,2</sup></b>	10	16/660V AC	<b>16C22x58SC-8B<sup>1,2</sup></b>	10
20/660V AC		<b>20C14x51SC-8B<sup>1,2</sup></b>	10	20/660V AC	<b>20C22x58SC-8B<sup>1,2</sup></b>	10
25/660V AC		<b>25C14x51SC-8B<sup>1,2</sup></b>	10	25/660V AC	<b>25C22x58SC-8B<sup>1,2</sup></b>	10
32/660V AC		<b>32C14x51SC-8B<sup>1,2</sup></b>	10	32/660V AC	<b>32C22x58SC-8B<sup>1,2</sup></b>	10
40/660V AC		<b>40C14x51SC-8B<sup>1,2</sup></b>	10	40/660V AC	<b>40C22x58SC-8B<sup>1,2</sup></b>	10
50/500V AC		<b>50C14x51SC-8B<sup>1,2</sup></b>	10	50/660V AC	<b>50C22x58SC-8B<sup>1,2</sup></b>	10
				63/660V AC	<b>63C22x58SC-8B<sup>1,2</sup></b>	10
			80/660V AC	<b>80C22x58SC-8B<sup>1,2</sup></b>	10	
			100/660V AC	<b>100C22x58SC-8B<sup>1,2</sup></b>	10	
<b>92mm (3.62 in.) Fixing Center (F) Fuse</b>	1/660V AC			1/660V AC	<b>1C22x58SC-9B</b>	10
	2/660V AC			2/660V AC	<b>2C22x58SC-9B<sup>1</sup></b>	10
	4/660V AC			4/660V AC	<b>4C22x58SC-9B<sup>1</sup></b>	10
	6/660V AC			6/660V AC	<b>6C22x58SC-9B<sup>1</sup></b>	10
	8/660V AC			8/660V AC	<b>8C22x58SC-9B<sup>1</sup></b>	10
	10/660V AC			10/660V AC	<b>10C22x58SC-9B<sup>1</sup></b>	10
	12/660V AC			12/660V AC	<b>12C22x58SC-9B<sup>1,2</sup></b>	10
	16/660V AC			16/660V AC	<b>16C22x58SC-9B<sup>1,2</sup></b>	10
	20/660V AC			20/660V AC	<b>20C22x58SC-9B<sup>1,2</sup></b>	10
	25/660V AC			25/660V AC	<b>25C22x58SC-9B<sup>1,2</sup></b>	10
	32/660V AC			32/660V AC	<b>32C22x58SC-9B<sup>1,2</sup></b>	10
	40/660V AC			40/660V AC	<b>40C22x58SC-9B<sup>1,2</sup></b>	10
	50/660V AC			50/660V AC	<b>50C22x58SC-9B<sup>1,2</sup></b>	10
				63/660V AC	<b>63C22x58SC-9B<sup>1,2</sup></b>	10
			80/660V AC	<b>80C22x58SC-9B<sup>1,2</sup></b>	10	
			100/660V AC	<b>100C22x58SC-9B<sup>1,2</sup></b>	10	
<b>110mm (4.33 in.) Fixing Center (F) Fuse</b>	1/660V AC			1/660V AC	<b>1C22x58SC-1B</b>	10
	2/660V AC			2/660V AC	<b>2C22x58SC-1B<sup>1</sup></b>	10
	4/660V AC			4/660V AC	<b>4C22x58SC-1B<sup>1</sup></b>	10
	6/660V AC			6/660V AC	<b>6C22x58SC-1B<sup>1</sup></b>	10
	8/660V AC			8/660V AC	<b>8C22x58SC-1B<sup>1</sup></b>	10
	10/660V AC			10/660V AC	<b>10C22x58SC-1B<sup>1</sup></b>	10
	12/660V AC			12/660V AC	<b>12C22x58SC-1B<sup>1,2</sup></b>	10
	16/660V AC			16/660V AC	<b>16C22x58SC-1B<sup>1,2</sup></b>	10
	20/660V AC			20/660V AC	<b>20C22x58SC-1B<sup>1,2</sup></b>	10
	25/660V AC			25/660V AC	<b>25C22x58SC-1B<sup>1,2</sup></b>	10
	32/660V AC			32/660V AC	<b>32C22x58SC-1B<sup>1,2</sup></b>	10
	40/660V AC			40/660V AC	<b>40C22x58SC-1B<sup>1,2</sup></b>	10
	50/660V AC			50/660V AC	<b>50C22x58SC-1B<sup>1,2</sup></b>	10
				63/660V AC	<b>63C22x58SC-1B<sup>1,2</sup></b>	10
			80/660V AC	<b>80C22x58SC-1B<sup>1,2</sup></b>	10	
			100/660V AC	<b>100C22x58SC-1B<sup>1,2</sup></b>	10	

<sup>1</sup> Also available with striker pin blown fuse indicator. When ordering Fuse with striker pin, designate suffix "I" after the Cat. No. (Ex. 6C14x51SC-6B/I).

<sup>2</sup> UL recognized version available upon request. UL version rated at 700VAC.

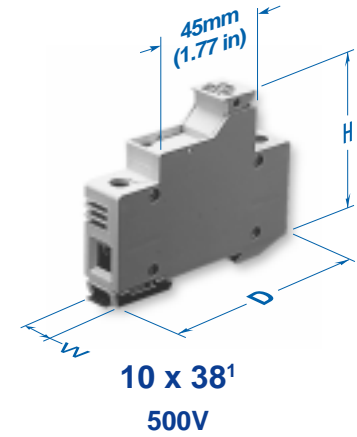
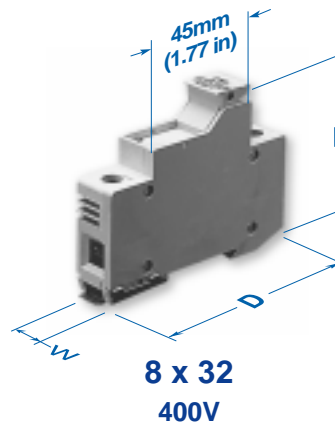


## CYLINDER FUSE BASES

Fuse Bases secure the fuses in place and insure proper electrical connections. Fuse Bases are available in one, two, three and four pole designs.

Types 8x32 and 10x38 are easily DIN rail mounted; Types 14x51 and 22x58 can be DIN rail mounted or mounted to any flat surface.

Cylinder Fuse Bases are available with optional blown fuse indication.<sup>1</sup>



No. of Poles	Cat. No.	Approx. Dim. mm (in.)		
		Height	Width	Depth
1	CB832-1	77 (3.03)	17.5 (0.69)	63.5 (2.50)
2	CB823-1N	77 (3.03)	35 (1.38)	63.5 (2.50)
2	CB832-2	77 (3.03)	35 (1.38)	63.5 (2.50)
3	CB823-3	77 (3.03)	52.5 (2.07)	63.5 (2.50)
4	CB823-3N	77 (3.03)	70 (2.76)	63.5 (2.50)

Std. Pk. 1

No. of Poles	Cat. No.	Approx. Dim. mm (in.)		
		Height	Width	Depth
1	CB1038-1	77 (3.03)	17.5 (0.69)	63.5 (2.50)
2	CB1038-1N	77 (3.03)	35 (1.38)	63.5 (2.50)
2	CB1038-2	77 (3.03)	35 (1.38)	63.5 (2.50)
3	CB1038-3	77 (3.03)	52.5 (2.07)	63.5 (2.50)
4	CB1038-3N	77 (3.03)	70 (2.76)	63.5 (2.50)

Std. Pk. 1



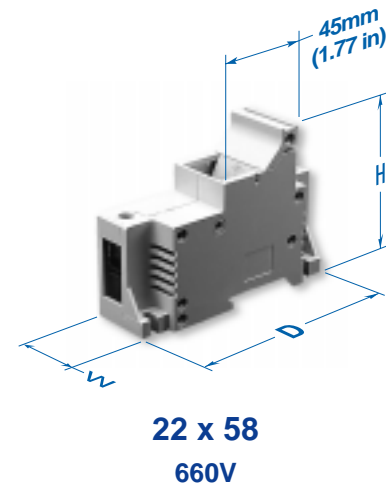
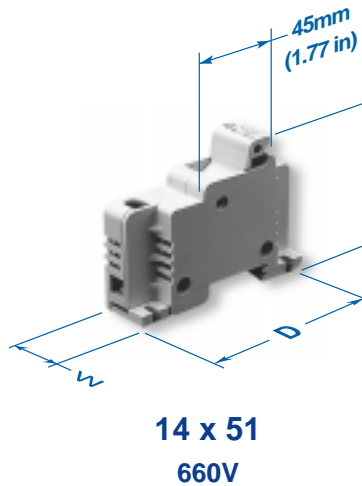
Rated at 600V, 30A

### Maximum Rating for Cylinder Fuse Bases

Cylinder Base	Fuse		
	400V	500V	660V
8x32	20A	–	–
10x38	32A	25A	–
14x51	50A	32A	25A
22x58	125A	100A	80A

### Wire Range

Cylinder Base	max		
	min	stranded wire	solid wire
8x32	1mm <sup>2</sup>	16mm <sup>2</sup>	25mm <sup>2</sup>
10x38	1mm <sup>2</sup>	16mm <sup>2</sup>	25mm <sup>2</sup>
14x51	1mm <sup>2</sup>	25mm <sup>2</sup>	35mm <sup>2</sup>
22x58	1.5mm <sup>2</sup>	35mm <sup>2</sup>	50mm <sup>2</sup>



No. of Poles	Cat. No.	Approx. Dim. mm (in.)		
		Height	Width	Depth
1	CB1451-1	100 (3.94)	26 (1.02)	73 (2.87)
2	CB1451-1N	100 (3.94)	52 (2.05)	73 (2.87)
2	CB1451-2	100 (3.94)	52 (2.05)	73 (2.87)
3	CB1451-3	100 (3.94)	78 (3.07)	73 (2.87)
4	CB1451-3N	100 (3.94)	104 (4.09)	73 (2.87)

Std. Pk. 1

No. of Poles	Cat. No.	Approx. Dim. mm (in.)		
		Height	Width	Depth
1	CB2258-1	140 (5.51)	35 (1.38)	90 (3.54)
2	CB2258-1N	140 (5.51)	70 (2.76)	90 (3.54)
2	CB2258-2	140 (5.51)	70 (2.76)	90 (3.54)
3	CB2258-3	140 (5.51)	105 (4.13)	90 (3.54)
4	CB2258-3N	140 (5.51)	140 (5.51)	90 (3.54)

Std. Pk. 1

<sup>1</sup> To order with blown fuse indicator, designate suffix "/I" after the Cat. No.