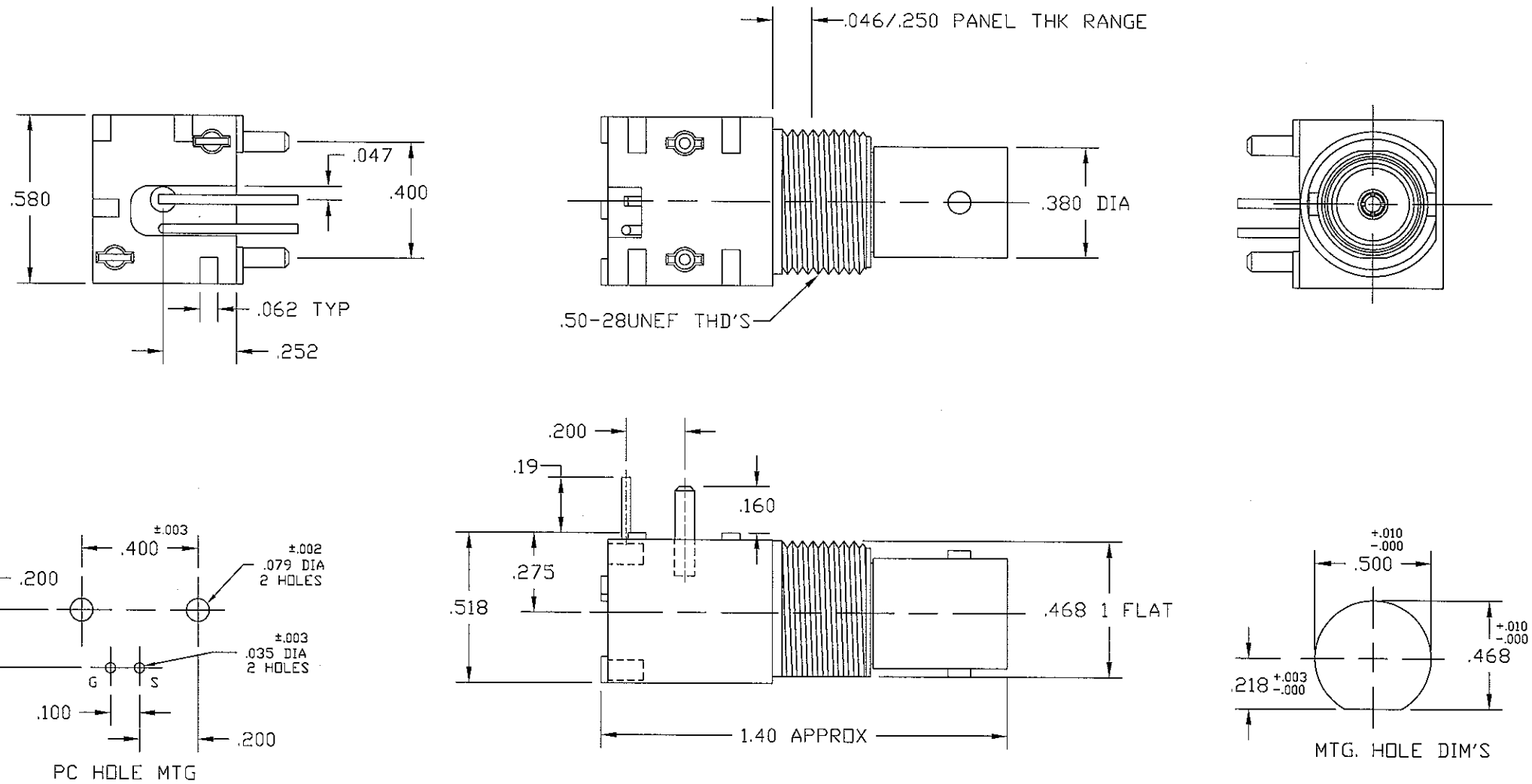


**NOTES:**

- DO NOT SCALE THIS DRAWING.
- UNLESS OTHERWISE SPECIFIED, ALL DIMENSIONS ARE AFTER PLATING.
- MATERIAL: OUTER INSULATOR CASING - WHITE VALOX  
INSULATOR - WHITE NORYL  
CENTER CONTACT - GOLD PLATED PHOSPHOR BRONZE  
BODY - NICKEL PLATED ZINC CASTING  
MOUNTING PINS - TIN PLATED BRASS  
TERMINALS - TIN PLATED COPPER WIRE
- WHEN ASSEMBLING TO PANEL, MOUNTING HARDWARE (SEPARATELY SUPPLIED) MUST BE TIGHTENED TO 10 IN LBS MIN, 15 IN LBS MAX.

31-71052		REVISIONS			
DRAWING NO.	REV	DESCRIPTION	DATE	ECO	APPR
THIRD ANGLE PROJ.	A	OFFICIAL ENG. RELEASE TO MFG.	10/20/94	40251	JM/RAV
	B	SEE SHEET 1 FOR REVISIONS	11/18/96	41637	CPM/
	C	SEE SHEET 1 FOR REVISIONS	2/3/05	45258	CPM/



CUSTOMER OUTLINE DRAWING

UNLESS OTHERWISE SPECIFIED, DIMENSIONS ARE IN INCHES AND TOLERANCES ARE: 2 PLACE DECIMAL ±.015 (0,381 mm) 3 PLACE DECIMAL ±.005 (0,127 mm) ANGLES ± 1'	MATERIAL	DRAWN J. MULVEY	DATE 10-13-94	TITLE BNC JACK 75 OHM R/ANGLE MOUNT PCB RECEPTACLE LOW PROFILE WHITE	Amphenol Amphenol Corporation RF/Microwave Operations Danbury, Conn. U.S.A. 06810
	REFERENCE AEAL EAR 964456-0	ENGINEER R. VACCARD	DATE 10-17-94	APPROVED	
NOTICE - These drawings, specifications, or other data (1) are, and remain the property of Amphenol Corp. (2) must be returned upon request; and (3) are confidential and not to be disclosed to any person other than those to whom they are given by Amphenol Corp. The furnishing of these drawings, specifications, or other data by Amphenol Corp., or to any other person to anyone for any purpose is not to be regarded by implication or otherwise in any manner licensing, granting rights or permitting such holder or any other person to manufacture, use or sell any product, process or design, patented or otherwise, that may in any way be related to or disclosed by said drawings, specifications, or other data.	CAD FILE H:\DEPT611\BNC\031\ASSY\71052SH2.DWG	CODE ID 74868	DWG SIZE B	DRAWING NO. 31-71052	SCALE: 2:1
					SHEET 2 OF 2