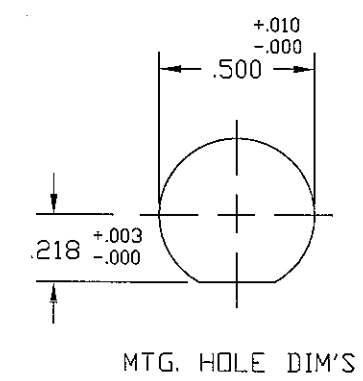
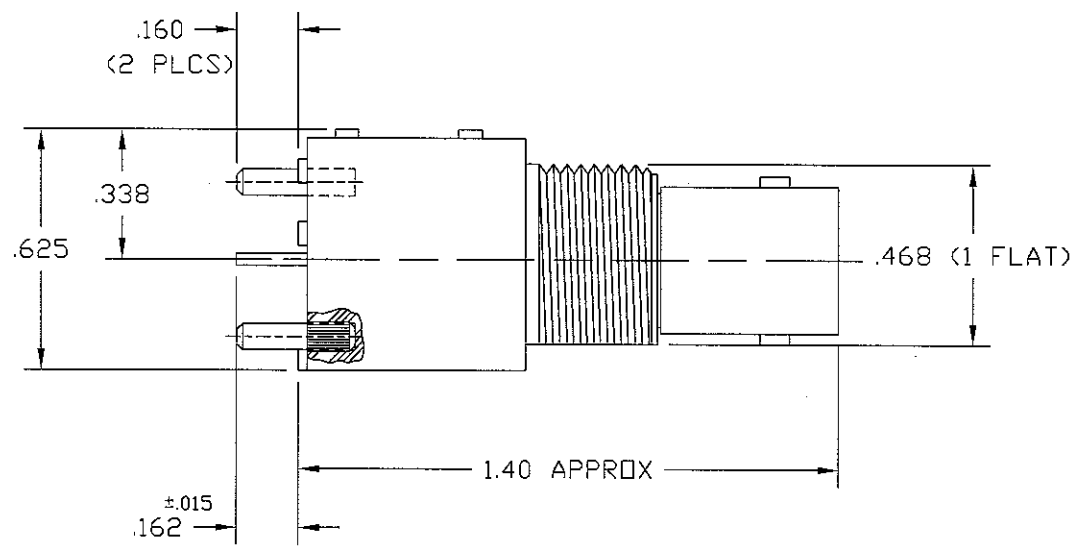
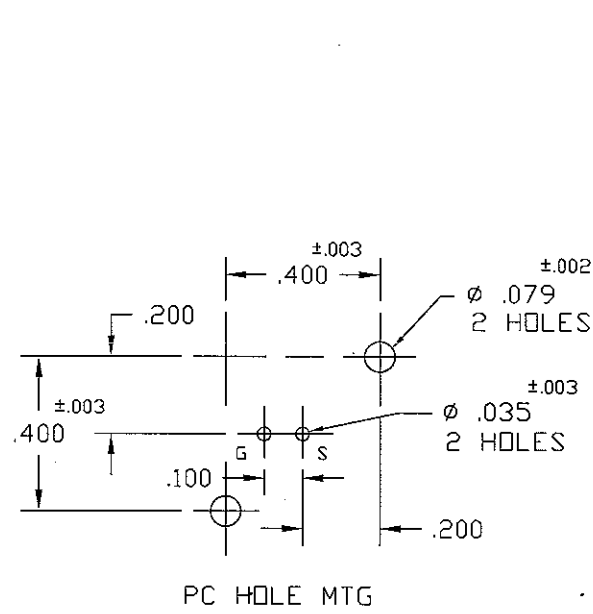
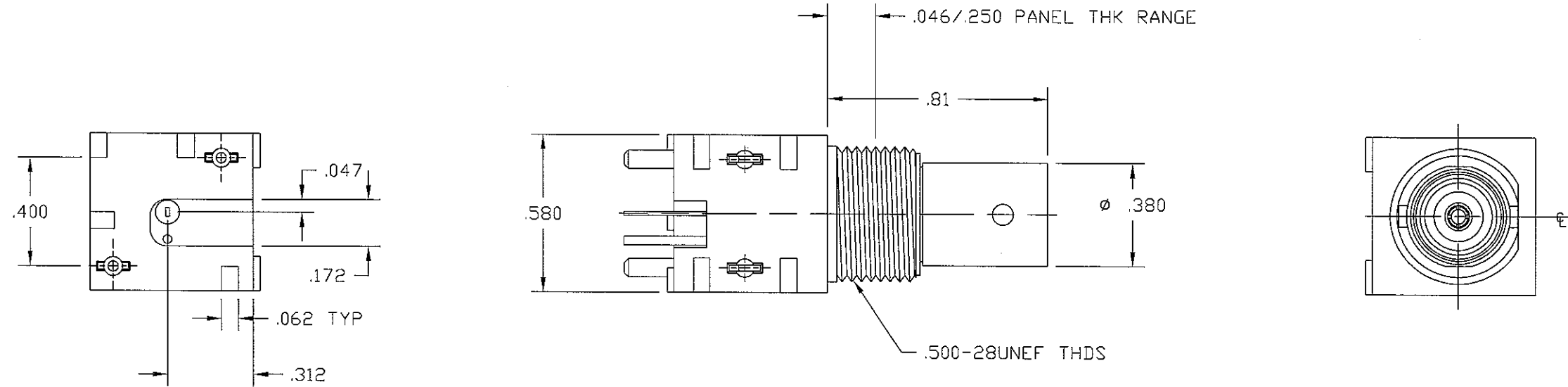


NOTES:

1. MATERIAL: OUTER INSULATOR CASING - BLACK VALOX  
INSULATOR - WHITE NORYL  
CENTER CONTACT - GOLD PLATED PHOSPHOR BRONZE  
BODY - NICKEL PLATED ZINC CASTING  
MOUNTING LEGS - TIN PLATED  
TERMINALS - TIN PLATED COPPER WIRE
2. WHEN ASSEMBLING TO PANEL, MOUNTING HARDWARE (SEPARATELY SUPPLIED) MUST BE TIGHTENED TO 10 IN LBS. MIN., 15 IN LBS. MAX.
3. DO NOT SCALE THIS DRAWING.
4. UNLESS OTHERWISE SPECIFIED, ALL DIMENSIONS ARE AFTER PLATING.

31-71059		REVISIONS			
DRAWING NO.	REV	DESCRIPTION	DATE	ECO	APPR
THIRD ANGLE PROJ.	A	RELEASE TO MFG.	1/13/97	41740	CPM/
	B	SEE SHEET 1	2/3/05	45258	CPM/



CUSTOMER OUTLINE DRAWING  
ALL OTHER SHEETS ARE FOR INTERNAL USE ONLY

UNLESS OTHERWISE SPECIFIED, DIMENSIONS ARE IN INCHES AND TOLERANCES ARE: 2 PLACE DECIMAL ±.015 (0,381 mm) 3 PLACE DECIMAL ±.005 (0,127 mm) ANGLES ± 1'	MATERIAL	DRAWN C. McGRATH	DATE 1/8/97	TITLE BNC JACK VERT. MOUNT PCB RECEPT (BLK)		Amphenol Amphenol Corporation RF/Microwave Operations Danbury, Conn. U.S.A. 06810	
	REFERENCE EAR 966410-0	ENGINEER D. ROYCE	DATE 1/8/97				
NOTICE - These drawings, specifications, or other data (1) are, and remain the property of Amphenol Corp. (2) must be returned upon request; and (3) are confidential and not to be disclosed to any person other than those to whom they are given by Amphenol Corp. The furnishing of these drawings, specifications, or other data by Amphenol Corp., or to any other person to anyone for any purpose is not to be regarded by implication or otherwise in any manner licensing, granting rights or permitting such holder or any other person to manufacture, use or sell any product, process or design, patented or otherwise, that may in any way be related to or disclosed by said drawings, specifications, or other data.		APPROVED D. ROYCE	DATE 1/8/97	SCALE: 2:1	SHEET 2 OF 2		
		CAD FILE H:\DEPT611\BNC\031\ASSY\71059SH2.DWG	CODE ID 74868	DWG SIZE B	DRAWING NO. 31-71059	ISSUE B	