

NOTES:

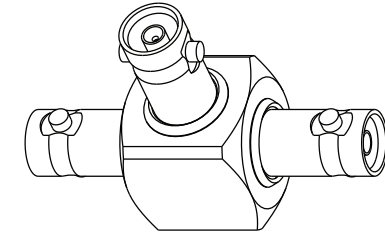
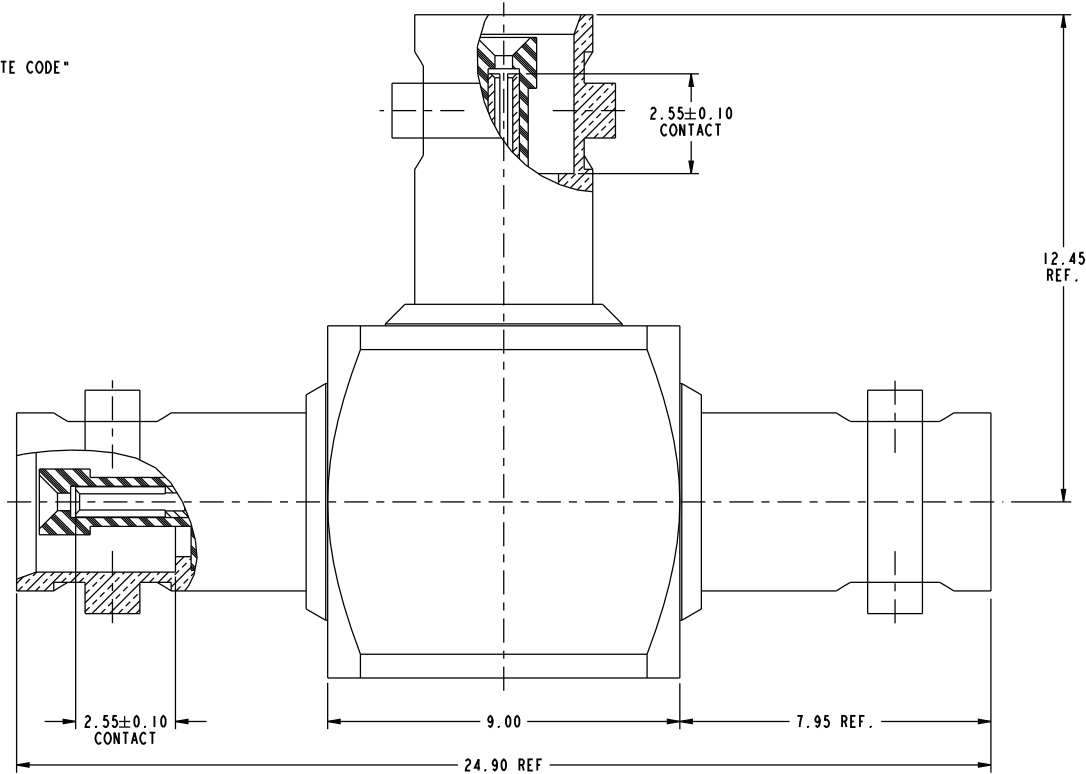
1. MATERIALS AND FINISHES:  
 BODY - BRASS, NICKEL PLATING  
 CONTACT - BERYLLIUM COPPER, GOLD PLATING  
 INSULATOR - PTFE
2. ELECTRICAL:  
 A. IMPEDANCE: 75 OHM  
 B. FREQUENCY RANGE: DC - 3.0 GHz
3. MECHANICAL:  
 A. DURABILITY: 500 CYCLES MIN.
4. PACKAGING:  
 A. QUANTITY: SINGLE PACK  
 B. MARKING: BAG TO BE MARKED  
 \*AMPHENOLRF, 34-1023, AND DATE CODE\*

THIRD ANGLE PROJ.

REVISIONS

REV	DESCRIPTION	DATE	ECO	APPR
1	PROTOTYPE RELEASE	11-Mar-10	--	BM
2	SEE SHEET 1	23-Mar-10	--	BM
3	SEE SHEET 1	26-Apr-10	--	BM
4	SEE SHEET 1	29-Apr-10	--	BM
5	SEE SHEET 1	13-May-10	--	BM

**PRELIMINARY ISSUE**



SCALE 3.000

**CUSTOMER OUTLINE DRAWING**  
 ALL OTHER SHEETS ARE FOR INTERNAL USE ONLY

UNLESS OTHERWISE SPECIFIED, DIMENSIONS ARE IN METRIC AND TOLERANCES ARE:  
 <0.5mm ±0.05mm 0.5 - 6mm ±0.1mm 6 - 30mm ±0.2mm 30 - 120mm ±0.3mm ANGLES ±1°

NOTICE - These drawings, specifications, or other data (1) are, and remain the property of Amphenol Corp. (2) must be returned upon request; and (3) are confidential and not to be disclosed to any person other than those to whom they are given by Amphenol Corp. The furnishing of these drawings, specifications, or other data by Amphenol Corp., or to any other person to anyone for any purpose is not to be regarded by implication or otherwise in any manner licensing, granting rights to permitting such holder or any other person to manufacture, use or sell any product, process or design, patented or otherwise, that may in any way be related to or disclosed by said drawings, specifications, or other data.

MATERIAL SEE NOTES	DRAWN BALAJI M	DATE 11-Mar-10	TITLE HD-BNC 75 OHM JACK TEE ADAPTOR	Amphenol RF Danbury CT USA, Tainan, Taiwan, Shenzhen, China www.amphenolrf.com
REFERENCE EAR #3966	ENGINEER BALAJI M	DATE 11-Mar-10		
CONFIGURATION LEVEL: Prototype	APPROVED	DATE	SCALE: 8.0:1.0	SHEET 2 OF 2
FINISH	CAD FILE Root Folder/HD-BNC/34-1023	DWG SIZE B	REV 5	DRAWING NO. 34-1023
				ITEM NO. 34-1023
				PART NO. 34-1023